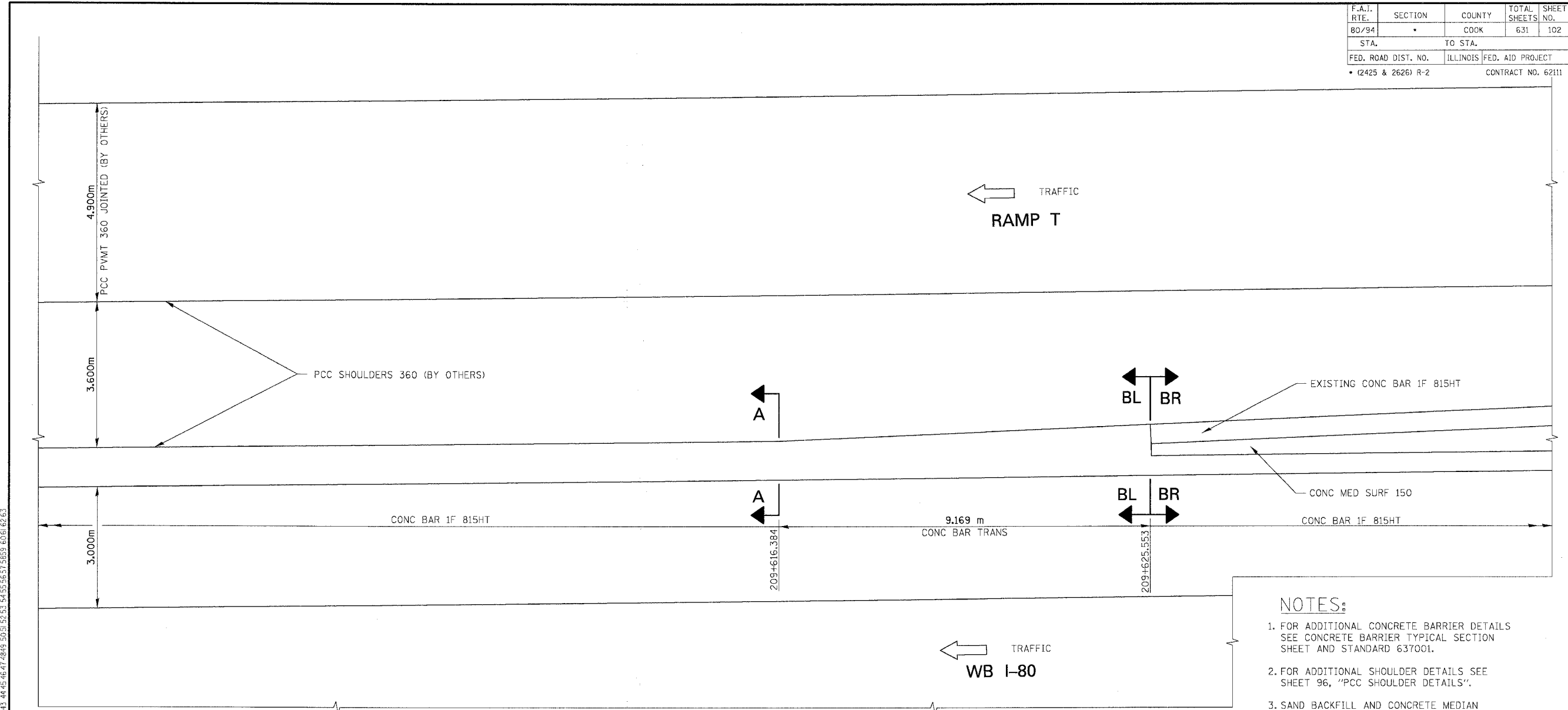
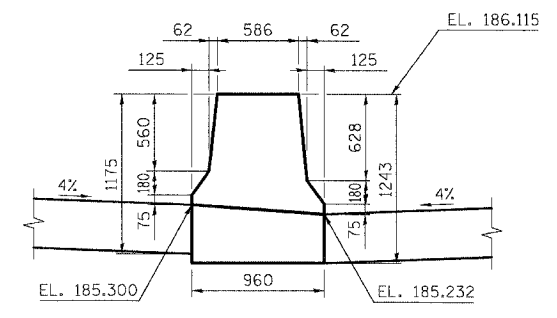


F.A.I. RTE.	SECTION	COUNTY	TOTAL SHEETS	SHEET NO.
80/94		COOK	631	102
STA.	TO STA.			
FED. ROAD DIST. NO.	ILLINOIS	FED. AID PROJECT		
		(2425 & 2626) R-2	CONTRACT NO. 62111	

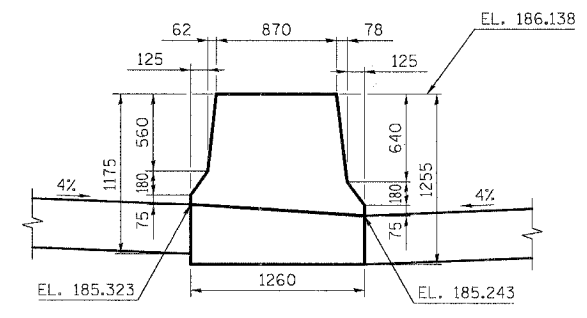


- NOTES:**
1. FOR ADDITIONAL CONCRETE BARRIER DETAILS SEE CONCRETE BARRIER TYPICAL SECTION SHEET AND STANDARD 637001.
  2. FOR ADDITIONAL SHOULDER DETAILS SEE SHEET 96, "PCC SHOULDER DETAILS".
  3. SAND BACKFILL AND CONCRETE MEDIAN SURFACE 150 SHALL BE PAID FOR SEPARATELY.
  4. SEE THE ELECTRICAL RACEWAY PLANS FOR CONDUIT LOCATIONS.

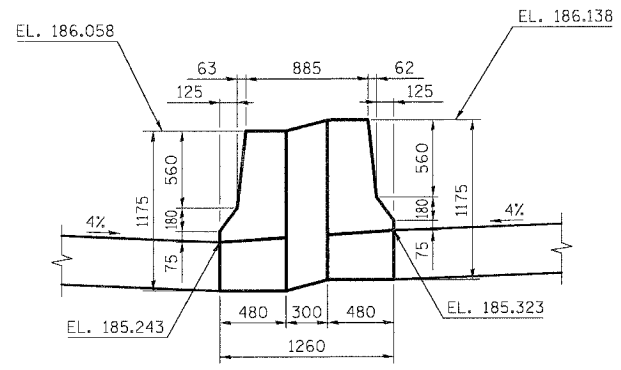
PLAN VIEW



SECTION A-A



SECTION BL-BL



SECTION BR-BR

REVISIONS	
NAME	DATE

ILLINOIS DEPARTMENT OF TRANSPORTATION  
 F.A.I. ROUTE 80/94 (KINGERY EXPRESSWAY)  
 EB & WB INSIDE LANES (MAINLINE) CONSTRUCTION  
 COOK COUNTY

**CONCRETE BARRIER TRANSITION  
 DETAILS AT  
 RAMP T GORE**

SCALE: DATE: 8/22/05  
 DRAWN BY: AG  
 CHECKED BY:

**TENG**  
 TENG & ASSOCIATES, INC.  
 ENGINEERS/ARCHITECTS/PLANNERS  
 CHICAGO, ILLINOIS

\P990024.DCH, \A990024.DGN, \PRT0024.DGN, \NC990024.DGN, \A990024.DGN  
 8-18-2005 10:09:34  
 \DOCUMENTS\93725\93725\93725.DGN, \93725.DGN  
 1 2 3 4 5 6 7 8 9 10 11 12 13 14 15 16 17 18 19 20 21 22 23 24 25 26 27 28 29 30 31 32 33 34 35 36 37 38 39 40 41 42 43 44 45 46 47 48 49 50 51 52 53 54 55 56 57 58 59 60 61 62 63