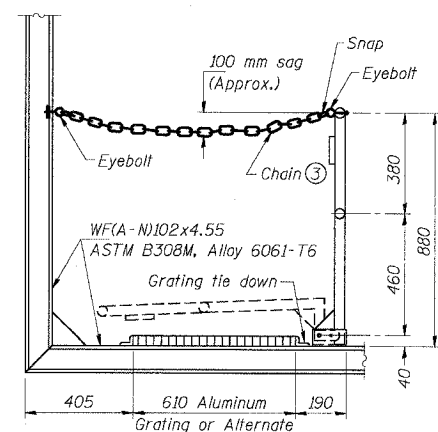
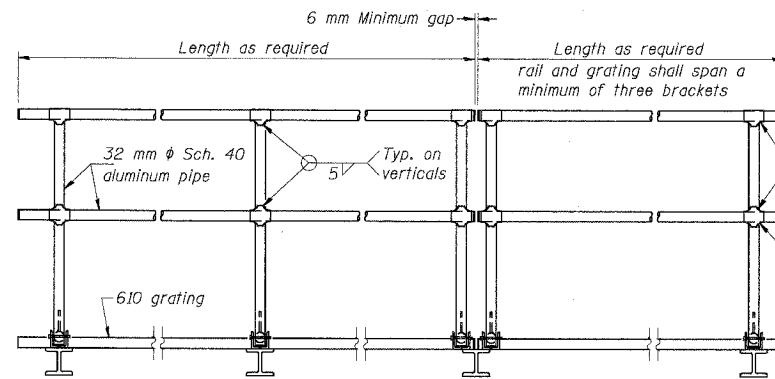


F.A.I. RTE.	SECTION	COUNTY	TOTAL SHEETS	SHEET NO.
80/94	*	COOK	631	325
STA.	TO STA.			
FED. ROAD DIST. NO.	ILLINOIS	FED. AID PROJECT		
* (2425 & 2626) R-2		CONTRACT NO. 62111		



SIDE ELEVATION

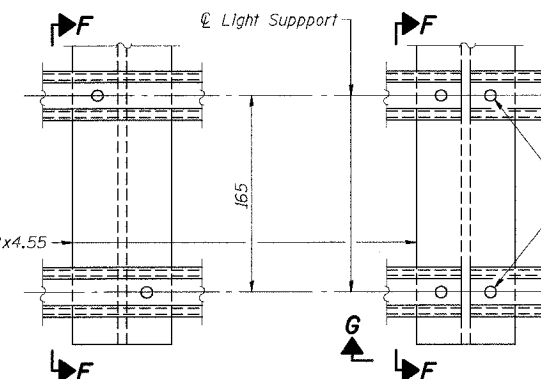
(Showing safety chain w/o sign)



FRONT ELEVATION

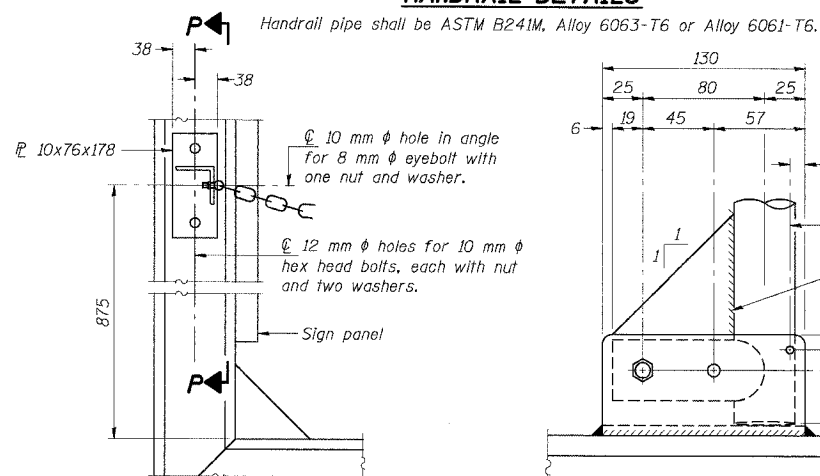
HANDRAIL DETAILS

① Install standard force-fit end caps or weld 3 mm end plates with 3 mm c.f.w. and grind smooth. (All rail ends)
② Horizontal handrail member shall be continuous thru fitting. Provide 12 mm ϕ hole in fitting for 10 mm ϕ bolt. Field drill 12 mm ϕ hole in horizontal rail member. Provide locknut and two stainless steel washers for bolt. (Use 8 mm eyebolts in 12 mm ϕ holes on top rail at ends only.)



DETAIL F

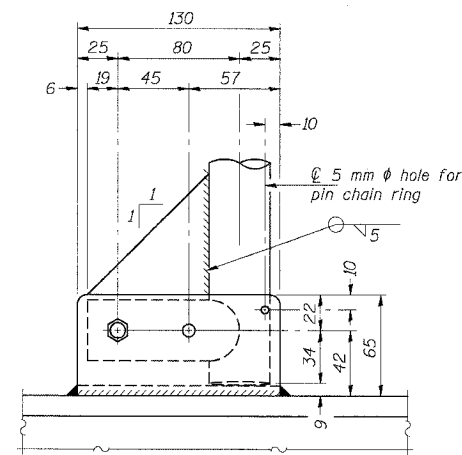
DETAIL G



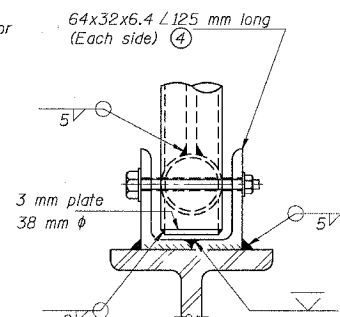
ALTERNATE SAFETY CHAIN ATTACHMENT

(With Sign Present)

Items not shown same as "Side Elevation" of "Handrail Details"

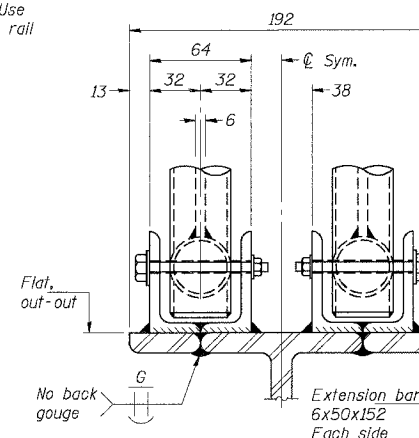


SIDE ELEVATION



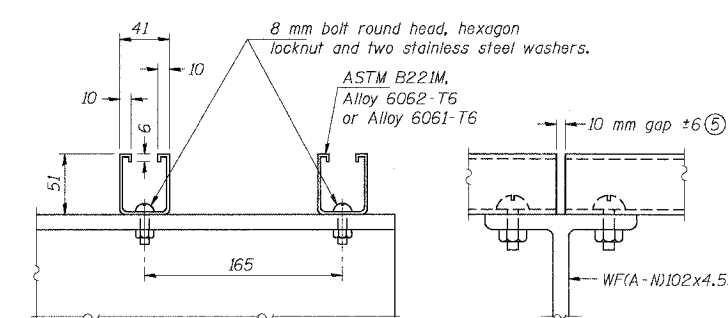
FRONT ELEVATION

See "ELEVATION" at right for dimensions.



ELEVATION AT HANDRAIL JOINT

Details not shown same as "FRONT ELEVATION"

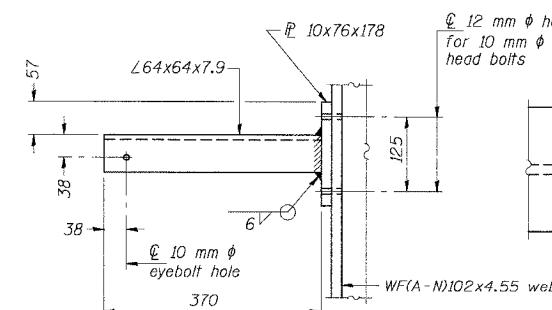


SECTION F-F

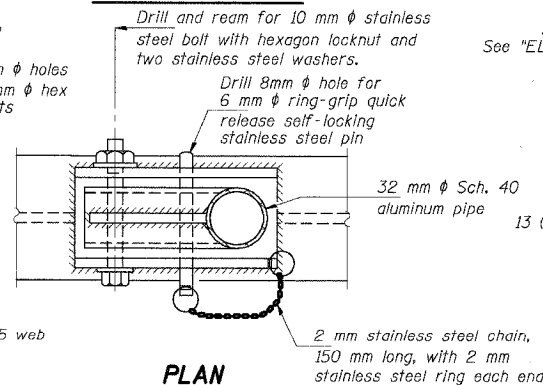
SECTION G-G

LIGHTING FIXTURE MOUNTS

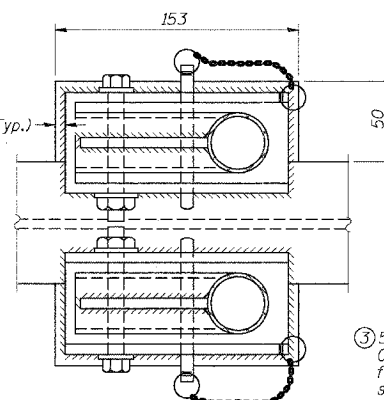
⑤ Field cut ends of light support channels shall be free of burrs or hazardous projections and coated with zinc-rich primer or equivalent.



SECTION P-P

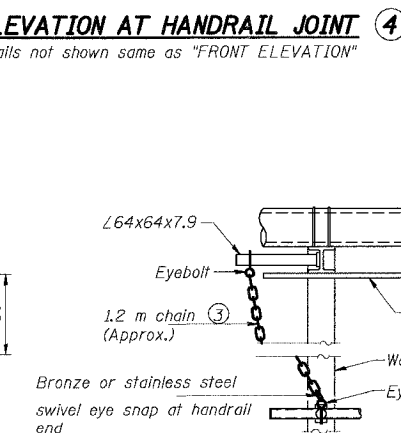


PLAN DETAIL E HANDRAIL HINGE



PLAN AT HANDRAIL JOINT

Details not shown same as "PLAN"

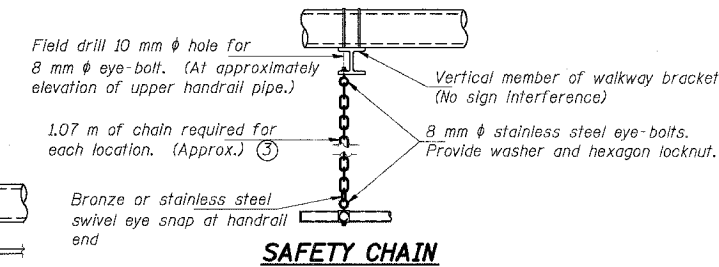


ALTERNATE SAFETY CHAIN ATTACHMENT

Details not shown similar to "Safety Chain" Details (Walkway omitted for clarity)

③ 5 mm galvanized steel chain, approximately 40 links per meter. Chain to be hot dip galvanized after manufacture and suitable for prolonged exterior exposure. Alternate materials may be substituted with the Engineer's approval.

④ Extrusions may be used in lieu of the details shown, with approval of the Engineer.



Note: All eyebolts, bolts, nuts and washers shall be stainless steel. For material, see General Notes.

REVISIONS	
NAME	DATE

ILLINOIS DEPARTMENT OF TRANSPORTATION
F.A.I. ROUTE 80/94 (KINGERY EXPRESSWAY)
EB & WB INSIDE LANES (MAINLINE) CONSTRUCTION
COOK COUNTY

**OVERHEAD SIGN STRUCTURES
ALUMINUM HANDRAIL DETAILS**

SCALE:
DATE: 7/18/2005

DRAWN BY: NK
CHECKED BY: VCP

TENG

TENG & ASSOCIATES, INC.
ENGINEERS/ARCHITECTS/PLANNERS
CHICAGO, ILLINOIS

\\MSITR02A.DGN, \\VIB99002A.DGN
 7-12-2005, 10:42:45
 T:\DOCUMENT\NBR7\INDUSTRIAL\STRUCT\ADON\MSITR02A.DGN
 1 2 3 4 5 6 7 8 9 10 11 12 13 14 15 16 17 18 19 20 21 22 23 24 25 26 27 28 29 30 31 32 33 34 35 36 37 38 39 40 41 42 43 44 45 46 47 48 49 50 51 52 53 54 55 56 57 58 59 60 61 62 63