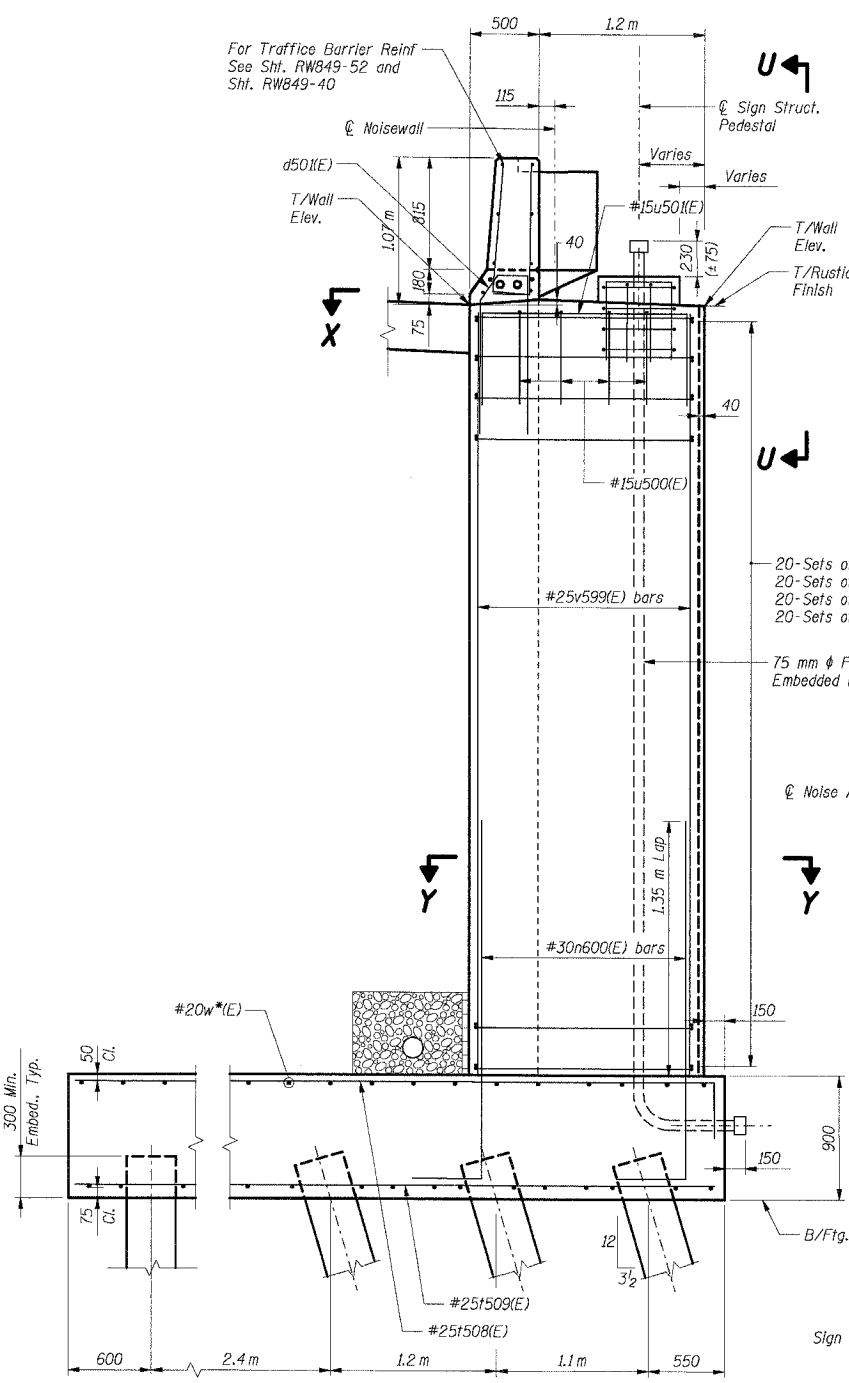
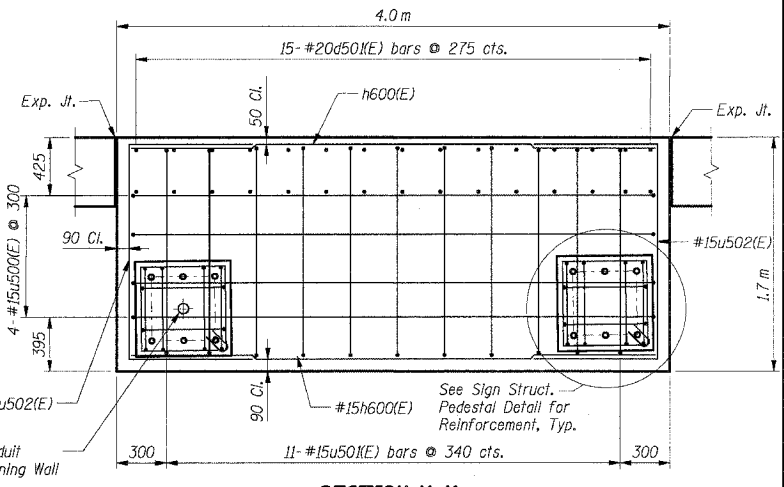
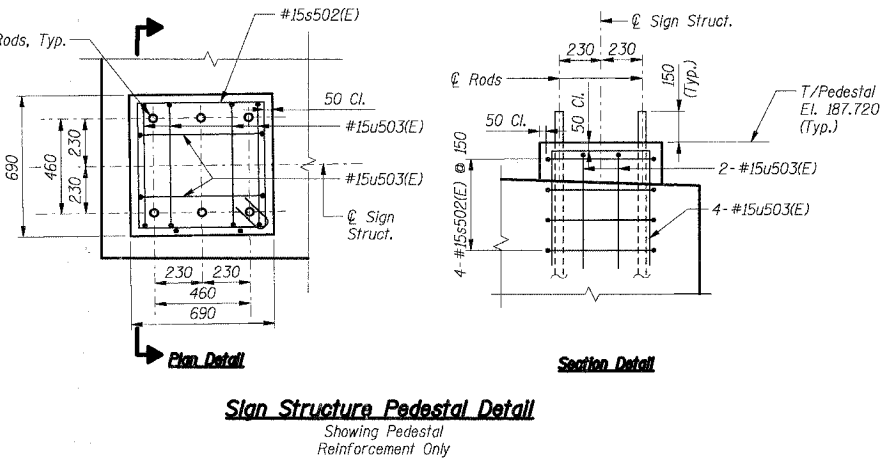
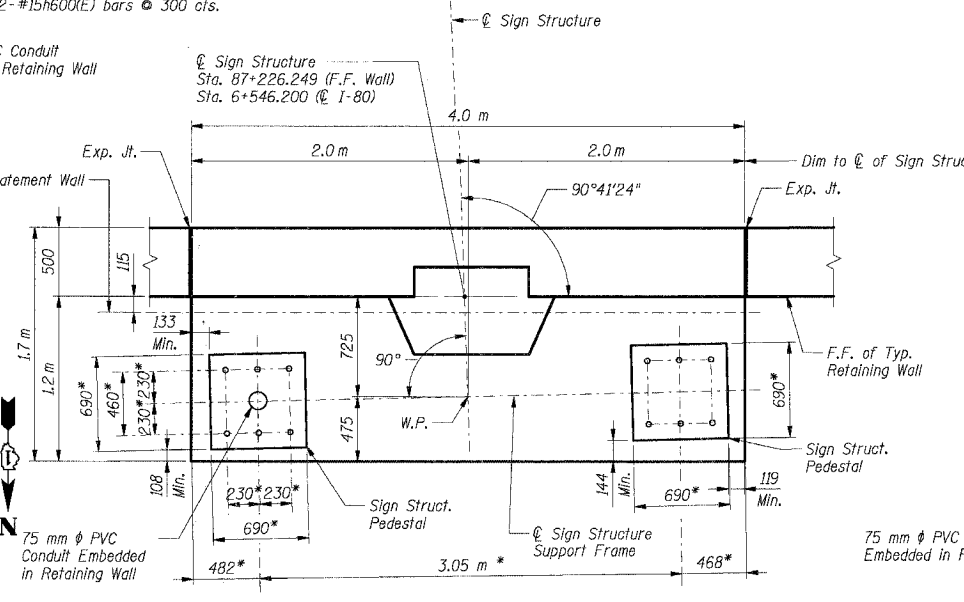
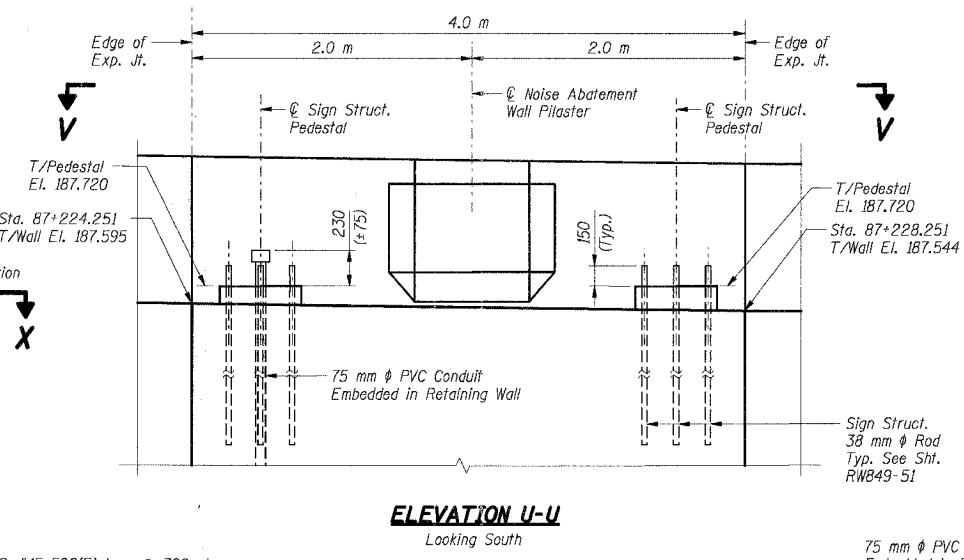


F.A.I. RTE.	SECTION	COUNTY	TOTAL SHEETS	SHEET NO.
80/94		COOK	631	337
STA.	TO STA.			
FED. ROAD DIST. NO.	ILLINOIS	FED. AID PROJECT		
(2425 & 2626) R-2		CONTRACT NO. 62111		

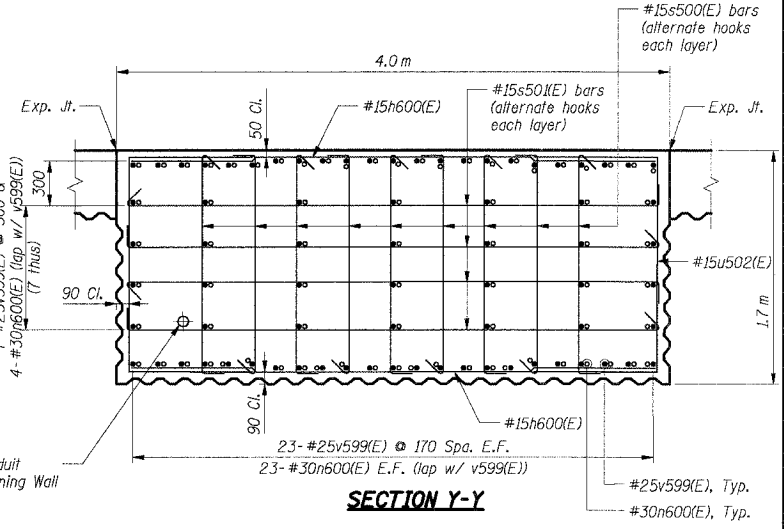
*****ref. list - name*****
 7-12-2005, 10:23:59
 I:\DOCUMENTS\STRUCTURE\STRUCTURE\RS191922A.DGN
 12 3 4 56 78 9 10 11 12 13 14 15 16 17 18 19 20 21 2223 24 25 26 27 28 29 30 31 32 33 34 35 36 37 38 39 40 41 42 43 44 45 46 47 48 49 50 51 52 53 54 55 56 57 58 59 60 61 62 63
 BALZEK.J.



SECTION T-T
Work with Sht. RW849-16



Notes: Space bars to miss S.S. rods



- Notes:**
- All dimensions are in millimeters (mm) except as noted.
 - Reinforcement bars designated (E) shall be epoxy coated.
 - All edges shall have a 20 mm chamfer unless noted otherwise.
 - E.F. indicates each face.
 - B.F. indicates back face.
 - F.F. indicates front face.
 - For Traffic Barrier details see Sht. RW849-52.
 - For Rustification Finish & joint details see Sht. RW849-54.
 - For Concrete Pile details see Sht. RW849-56.

THIS SHEET FOR INFORMATION ONLY

SHT. RW849-50 OF 61

REVISIONS	
NAME	DATE

22 of 23

ILLINOIS DEPARTMENT OF TRANSPORTATION
 F.A.I. ROUTE 80/94 (KINGERY EXPRESSWAY)
 LOCAL ROADS RECONSTRUCTION
 RETAINING WALL - STRUCTURE NO. 016-W849
 SECTIONS 2001-167R AND (2425 & 2626) R-1
 COOK COUNTY

WALL SECTIONS & DETAILS VI

DATE: 3/10/2004

DRAWN BY: CHECKED BY: MJK

TENG
 TENG & ASSOCIATES, INC.
 ENGINEERS/ARCHITECTS/PLANNERS
 CHICAGO, ILLINOIS