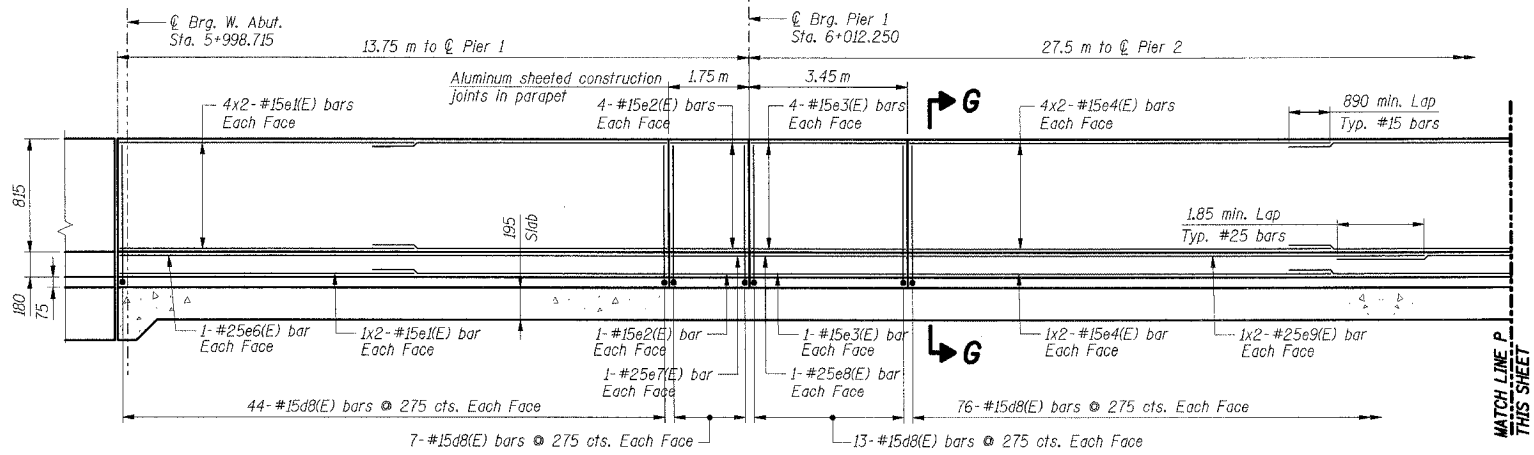
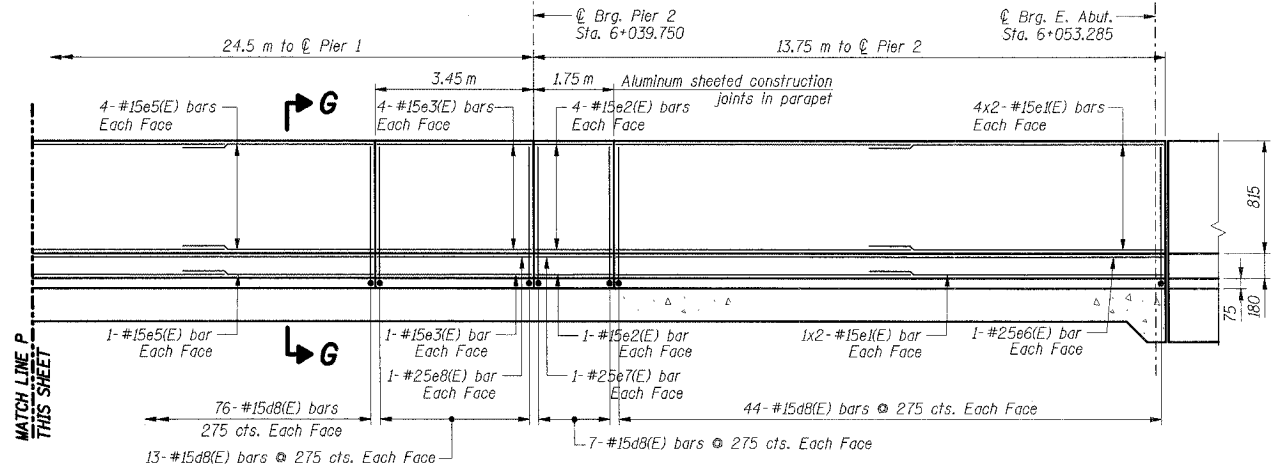


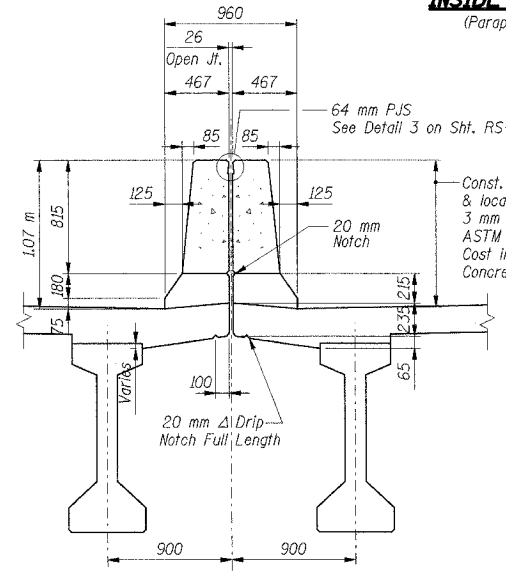
F.A.I. RTE.	SECTION	COUNTY	TOTAL SHEETS	SHEET NO.
80/94	*	COOK	631	409
STA.	TO STA.			
FED. ROAD DIST. NO.	ILLINOIS FED. AID PROJECT			
* (2425 & 2626) R-2			CONTRACT NO. 62111	



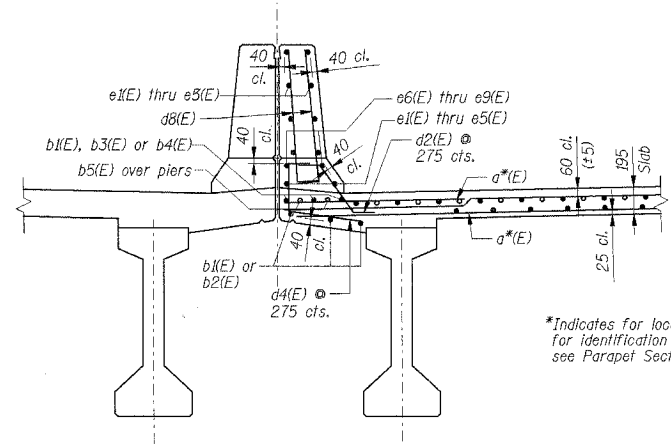
INSIDE ELEVATION PARAPETS NO. 4 & 5
(Parapet No. 5 shown, Parapet No. 4 Opposite Hand)



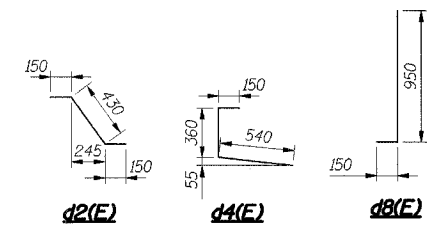
INSIDE ELEVATION PARAPETS NO. 4 & 5
(Parapet No. 5 shown, Parapet No. 4 Opposite Hand)



SECTION G-G
(Showing Geometry)



SECTION G-G
(Showing Reinforcement)



*Indicates for location of bars, for identification and quantity, see Parapet Sections

BAR LIST
(For Each Parapet)

Bar	No.	Size	Length (m)	Shape
d8(E)	408	#15	1.10	—
e1(E)	40	#15	6.40	—
e2(E)	20	#15	1.65	—
e3(E)	20	#15	3.35	—
e4(E)	20	#15	9.00	—
e5(E)	10	#15	4.30	—
e6(E)	4	#25	11.90	—
e7(E)	4	#25	1.65	—
e8(E)	4	#25	3.35	—
e9(E)	4	#25	11.20	—

BILL OF MATERIAL
(For Each Parapet)

Item	Unit	Total
Concrete Structures	Cu m	24.9
Reinforcement Bars, Epoxy Coated	kg	2,050
Preformed Joint Seal 64 mm	Meter	55.0

** Quantity for PJS 64 mm shall not be doubled.

Notes:

- All dimensions are in millimeters (mm) except as noted.
- Reinforcement bars designated (E) shall be epoxy coated.
- Bars indicated thus 74x10-#15 etc. indicates 74 lines of bars with 10 lengths per line
- Work this Sheet with Shts. RS-24 thru RS-27 & RS-36.
- I.F. Denotes Inside Face
O.F. Denotes Outside Face.
- All edges shall have a 20 mm chamfer unless noted otherwise.

SHT. RS-37 OF 70

REVISIONS	
NAME	DATE

ILLINOIS DEPARTMENT OF TRANSPORTATION
F.A.I. ROUTE 80/94 (KINGERY EXPRESSWAY)
EB & WB INSIDE LANES (MAINLINE) CONSTRUCTION
1-80/94 OVER RAILROAD AVENUE
STRUCTURE NO. 016-2792 STA. 6+025.000
SECTION 1917-121-R
COOK COUNTY

**MEDIAN PARAPET
ELEVATION & DETAILS - II**

DATE: 9/13/05
DRAWN BY: LAR
CHECKED BY: MJK

TENG
TENG & ASSOCIATES, INC.
ENGINEERS/ARCHITECTS/PLANNERS
CHICAGO, ILLINOIS

KUIENSTUW
 9-08-2005 15:29:57
 1,2,3,4,5,6,7,8,9,10,11,12,13,14,15,16,17,18,19,20,21,22,23,24,25,26,27,28,29,30,31,32,33,34,35,36,37,38,39,40,41,42,43,44,45,46,47,48,49,50,51,52,53,54,55,56,57,58,59,60,61,62,63
 \AES9002A\ADDN...\S199R02A.DGN, \S199R02A.DGN, \S199R02A.DGN
 \ADDN\193750\STRUCT\ADDN\SUT362A.DGN
 1,2,3,4,5,6,7,8,9,10,11,12,13,14,15,16,17,18,19,20,21,22,23,24,25,26,27,28,29,30,31,32,33,34,35,36,37,38,39,40,41,42,43,44,45,46,47,48,49,50,51,52,53,54,55,56,57,58,59,60,61,62,63