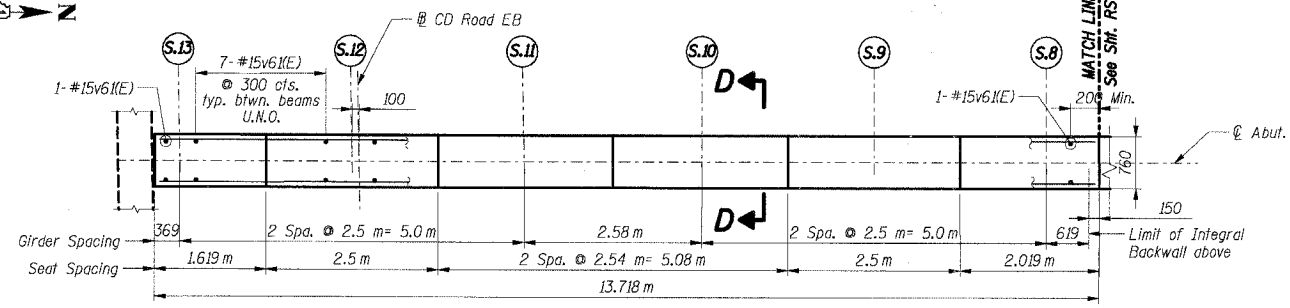
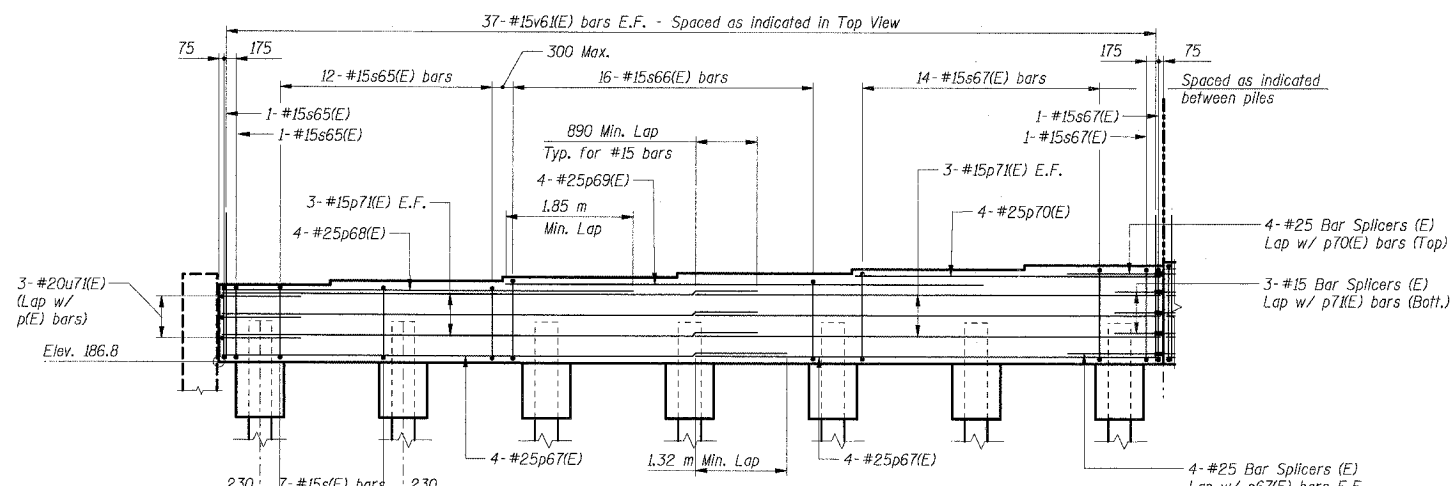


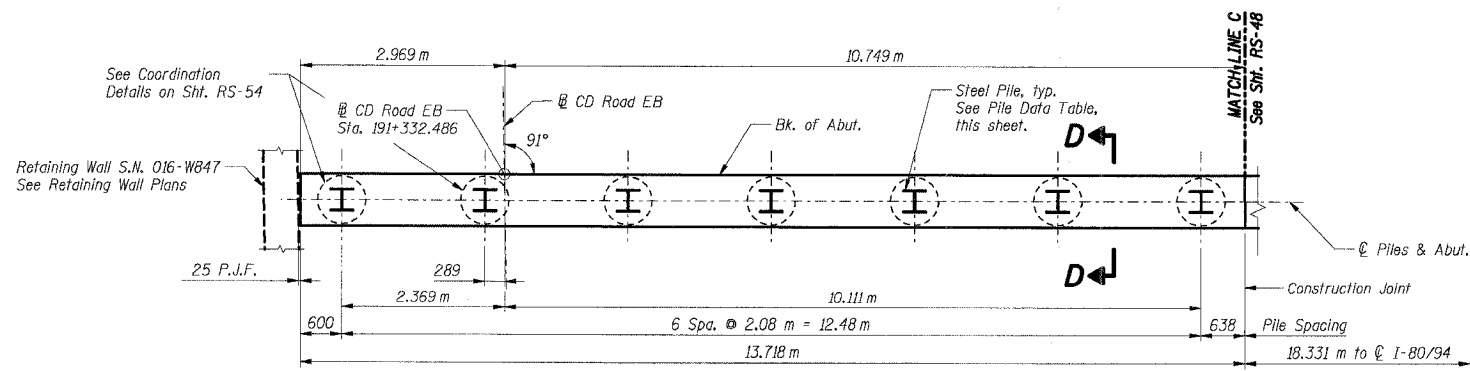
F.A.I. RTE.	SECTION	COUNTY	TOTAL SHEETS	SHEET NO.
80/94	*	COOK	631	421
STA.	TO STA.			
FED. ROAD DIST. NO.	ILLINOIS	FED. AID PROJECT		
* (2425 & 2626) R-2		CONTRACT NO. 62111		



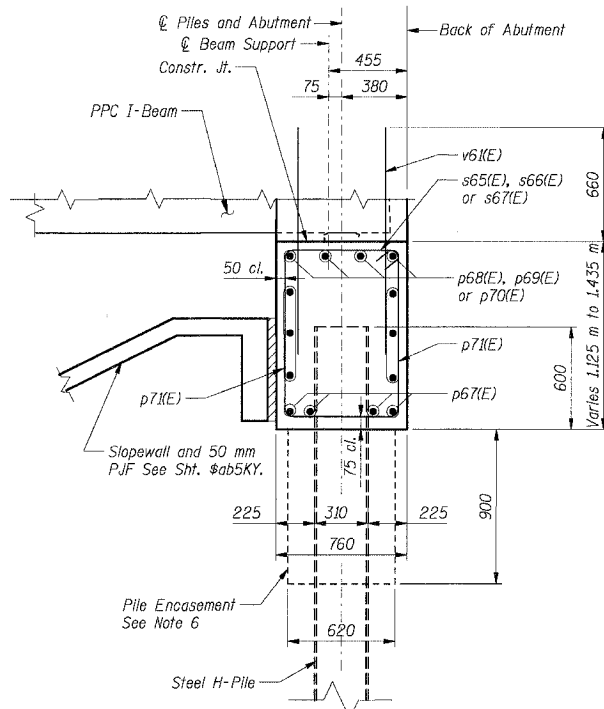
TOP VIEW



ELEVATION (Looking West)



FOOTING PLAN



SECTION D-D

BEARING SEAT ELEVATIONS

Girder	West Abutment	Steps
S.13	187.925	65
S.12	187.990	60
S.11	188.050	60
S.10	188.110	65
S.9	188.175	60
S.8	188.235	60

Bar	A
s65(E)	990
s66(E)	1.12 m
s67(E)	1.24 m

BAR LIST

Bar	No.	Size	Length (m)	Shaps
p67(E)	8	#25	7.47	
p68(E)	4	#25	5.97	
p69(E)	4	#25	6.93	
p70(E)	4	#25	4.48	
p71(E)	12	#15	1.26	
s65(E)	14	#15	3.58	☐
s66(E)	16	#15	3.84	☐
s67(E)	16	#15	4.08	☐
u7(E)	3	#20	2.85	┘
v6(E)	4	#15	1.32	

BILL OF MATERIAL

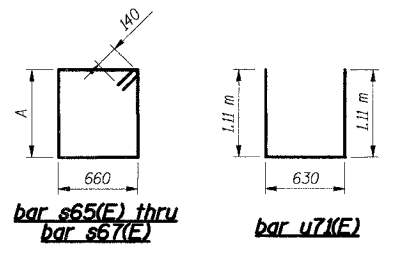
Item	Unit	Total
Concrete Structures	Cu m	13.4
Reinforcement Bars, Epoxy Coated	kg	1,090
Structure Excavation	Cu m	62
Bar Splicers	Ea	14

PILE DATA

Type: HP 310x79
 Design Capacity: 600 kN
 Required Bearing: 900 kN
 Est. Length: 26 m
 No. Required: 6 + 1 Test Pile

KEY PLAN

- Notes:**
- All dimensions are in millimeters (mm) except as noted.
 - Reinforcement bars designated (E) shall be epoxy coated.
 - E.F. indicates each face.
 - Work this sheet with sheet RS-48.
 - For Bar Splicer details, see sheet RS-66.
 - For Pile Encasement details, see sheet RS-3.



THIS SHEET FOR INFORMATION ONLY

SHT. RS-49 OF 70

REVISIONS	
NAME	DATE

ILLINOIS DEPARTMENT OF TRANSPORTATION
 F.A.I. ROUTE 80/94 (KINGERY EXPRESSWAY)
 EB & WB INSIDE LANES (MAINLINE) CONSTRUCTION
 I-80/94 OVER RAILROAD AVENUE
 STRUCTURE NO. 016-2792 STA. 6+025.000
 SECTION 1977-121-R
 COOK COUNTY

WEST ABUTMENT PLAN, ELEVATION & SECTION - IV

DATE: 7/18/2005
 DRAWN BY: LS
 CHECKED BY: TCU

TENG
 TENG & ASSOCIATES, INC.
 ENGINEERS/ARCHITECTS/PLANNERS
 CHICAGO, ILLINOIS

BAJZEKJ
 7-12-2005, 10:25:57
 I:\DOCUMENT\93750\STRUCT\CDN\AB1\9524.DGN
 I:\DOCUMENT\93750\STRUCT\CDN\AB1\9524.DGN
 12.3.4.56.78.9.10.11.12.13.14.15.16.17.18.19.20.21.22.23.24.25.26.27.28.29.30.31.32.33.34.35.36.37.38.39.40.41.42.43.44.45.46.47.48.49.50.51.52.53.54.55.56.57.58.59.60.61.62.63