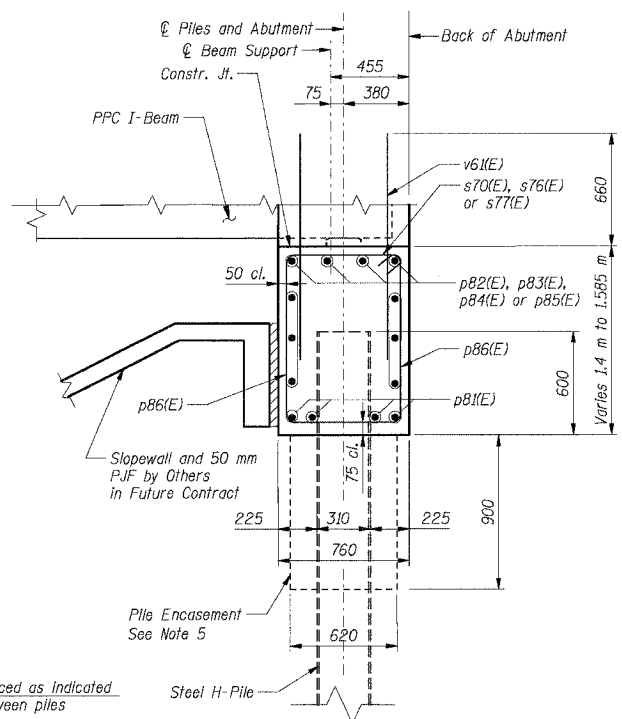
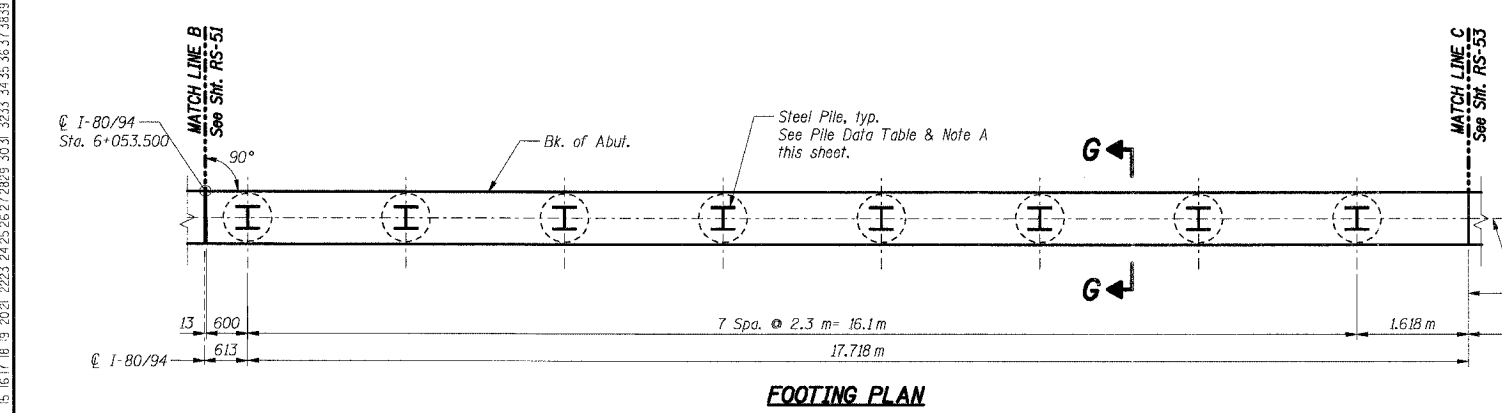
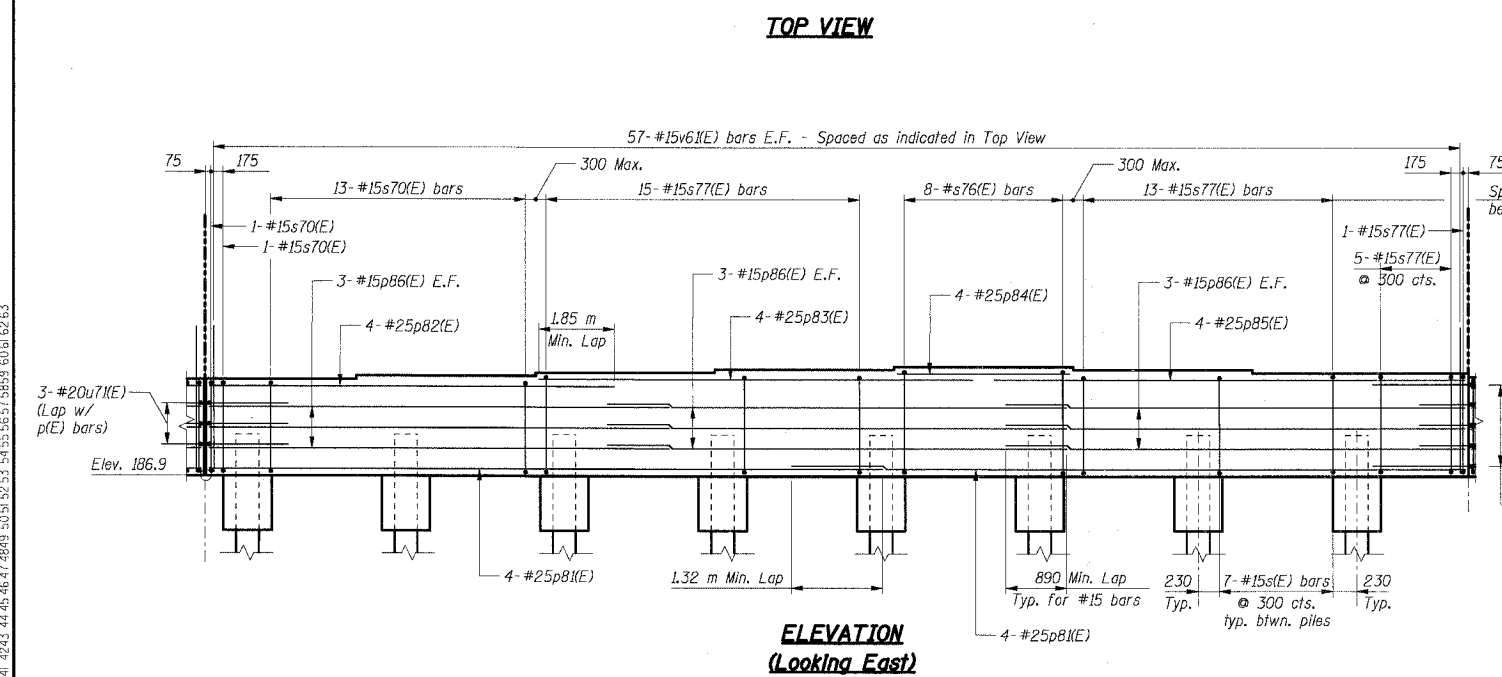
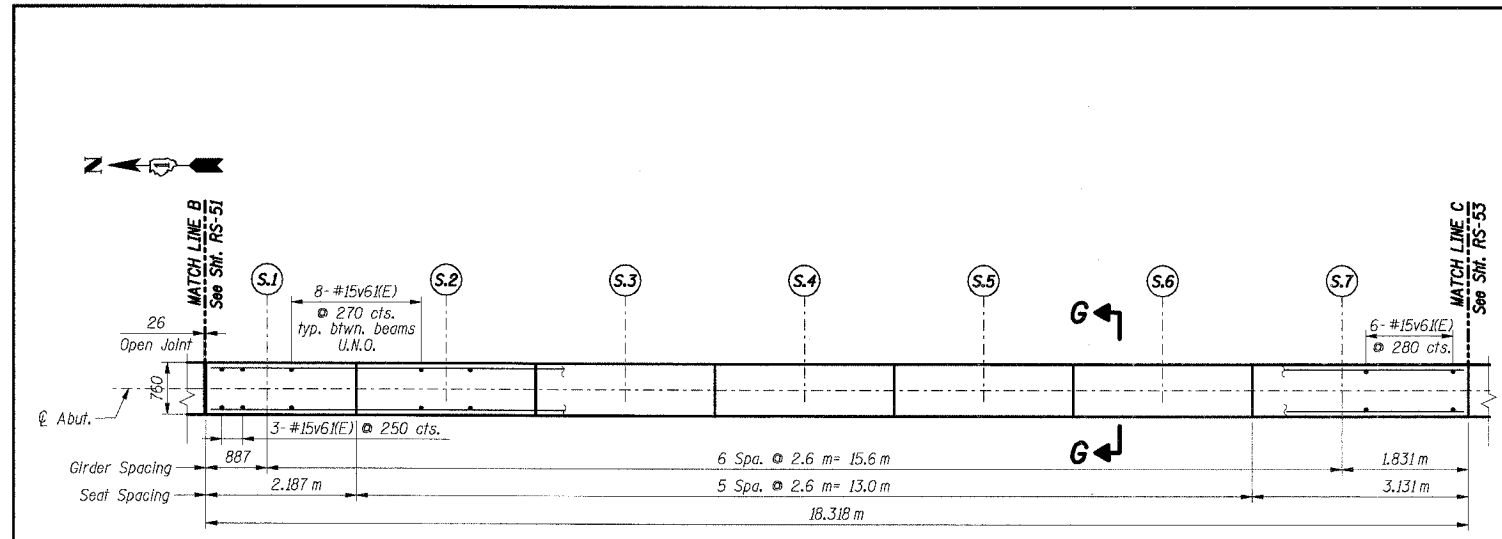


F.A.I. RTE.	SECTION	COUNTY	TOTAL SHEETS	SHEET NO.
80/94	•	COOK	631	424
STA.	TO STA.			
FED. ROAD DIST. NO.	ILLINOIS	FED. AID PROJECT		
• (2425 & 2626) R-2		CONTRACT NO. 62111		

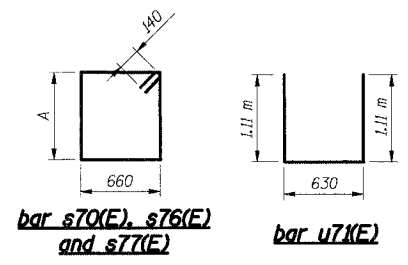


**SECTION G-G**

**BEARING SEAT ELEVATIONS**

Girder	East Abutment	Steps
S.1	188.300	50
S.2	188.350	50
S.3	188.400	50
S.4	188.450	35
S.5	188.485	40
S.6	188.445	45
S.7	188.400	45

Bar	A (m)
s70(E)	1.27
s76(E)	1.45
s77(E)	1.37



**BAR LIST**

Bar	No.	Size	Length (m)	Shape
p81(E)	8	#25	9.77	—
p82(E)	4	#25	6.59	—
p83(E)	4	#25	7.00	—
p84(E)	4	#25	2.50	—
p85(E)	4	#25	7.53	—
p86(E)	18	#15	6.67	—
s70(E)	15	#15	4.14	□
s76(E)	8	#15	4.50	□
s77(E)	34	#15	4.34	□
u7(E)	3	#20	2.85	□
v6(E)	114	#15	1.32	—

**BILL OF MATERIAL**

Item	Unit	Total
Concrete Structures	Cu m	21.0
Reinforcement Bars, Epoxy Coated	kg	1,510
Structure Excavation	Cu m	0

**PILE DATA**  
(See Note A below)

Type: HP 310x79  
Design Capacity: 600 kN  
Required Bearing: 900 kN  
Est. Length: 27 m  
No. Required: 8

**NOTE A:**  
Pile driving shall not begin until full embankment has been in place for at least 60 days.

- Notes:**
- All dimensions are in millimeters (mm) except as noted.
  - Reinforcement bars designated (E) shall be epoxy coated.
  - E.F. indicates each face.
  - Work this sheet with sheets RS-51 and RS-53.
  - For Pile Encasement details, see sheet RS-3.
  - For Bar Splicer details, see sheet RS-66.

**SHT. RS-52 OF 70**

REVISIONS	
NAME	DATE

ILLINOIS DEPARTMENT OF TRANSPORTATION  
F.A.I. ROUTE 80/94 (KINGERY EXPRESSWAY)  
EB & WB INSIDE LANES (MAINLINE) CONSTRUCTION  
I-80/94 OVER RAILROAD AVENUE  
STRUCTURE NO. 016-2792 STA. 6+025.000  
SECTION 1977-121-R  
COOK COUNTY

**EAST ABUTMENT  
PLAN, ELEVATION & SECTION - III**

DATE: 7/18/2005

DRAWN BY: LS  
CHECKED BY: TCU

**TENG**  
TENG & ASSOCIATES, INC.  
ENGINEERS/ARCHITECTS/PLANNERS  
CHICAGO, ILLINOIS

BAJJEKJ  
 5435556575859 60616263  
 1-80-94  
 Sta. 6+053.500  
 1-80/94  
 Sta. 6+053.500  
 7-12-2005, 10:26:00  
 I:\DOCUMENT\1937\501\STRUCT\CON\ABUT322\ADON  
 1 2 3 4 5 6 7 8 9 10 11 12 13 14 15 16 17 18 19 20 21 22 23 24 25 26 27 28 29 30 31 32 33 34 35 36 37 38 39 40 41 42 43 44 45 46 47 48 49 50 51 52 53 54 55 56 57 58 59 60 61 62 63