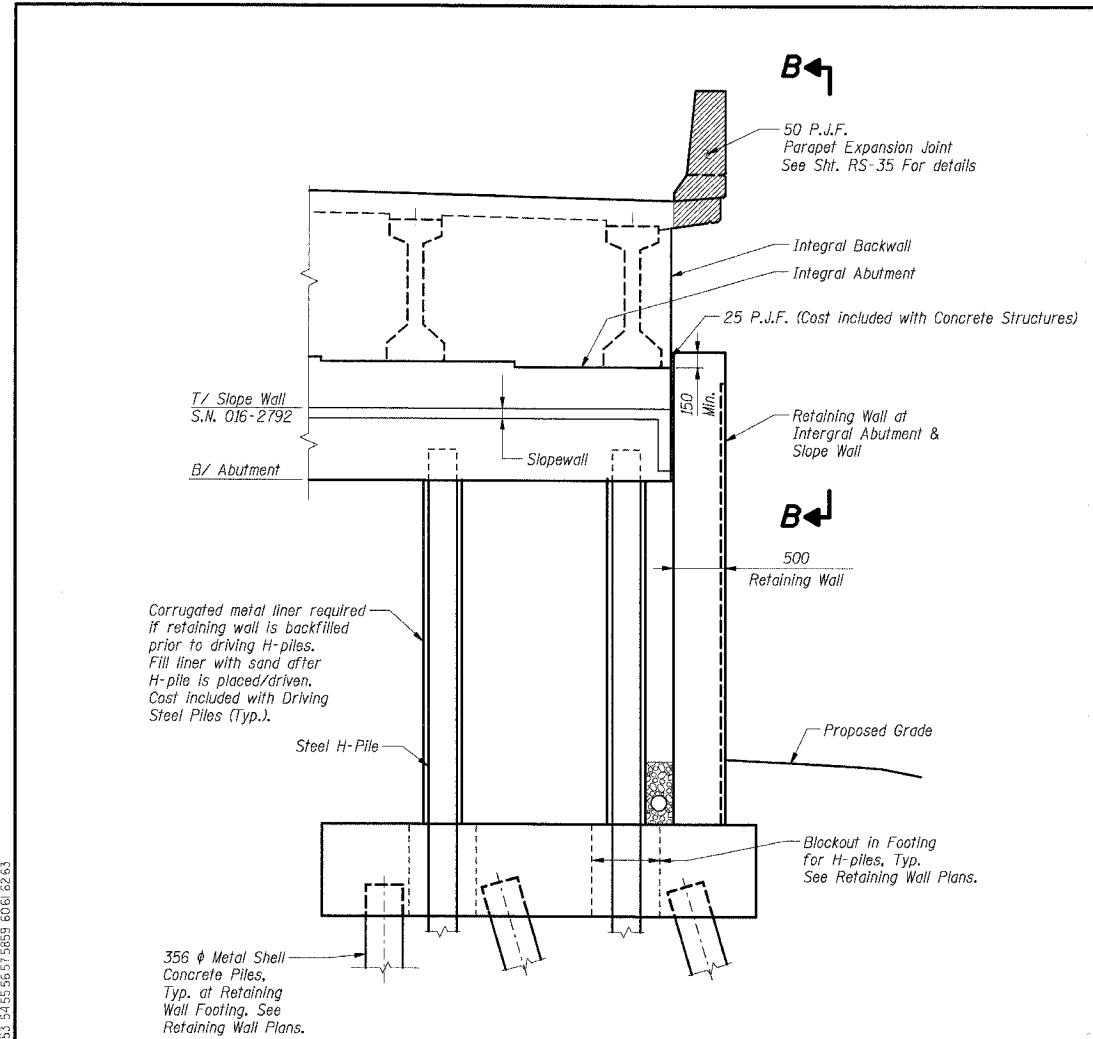
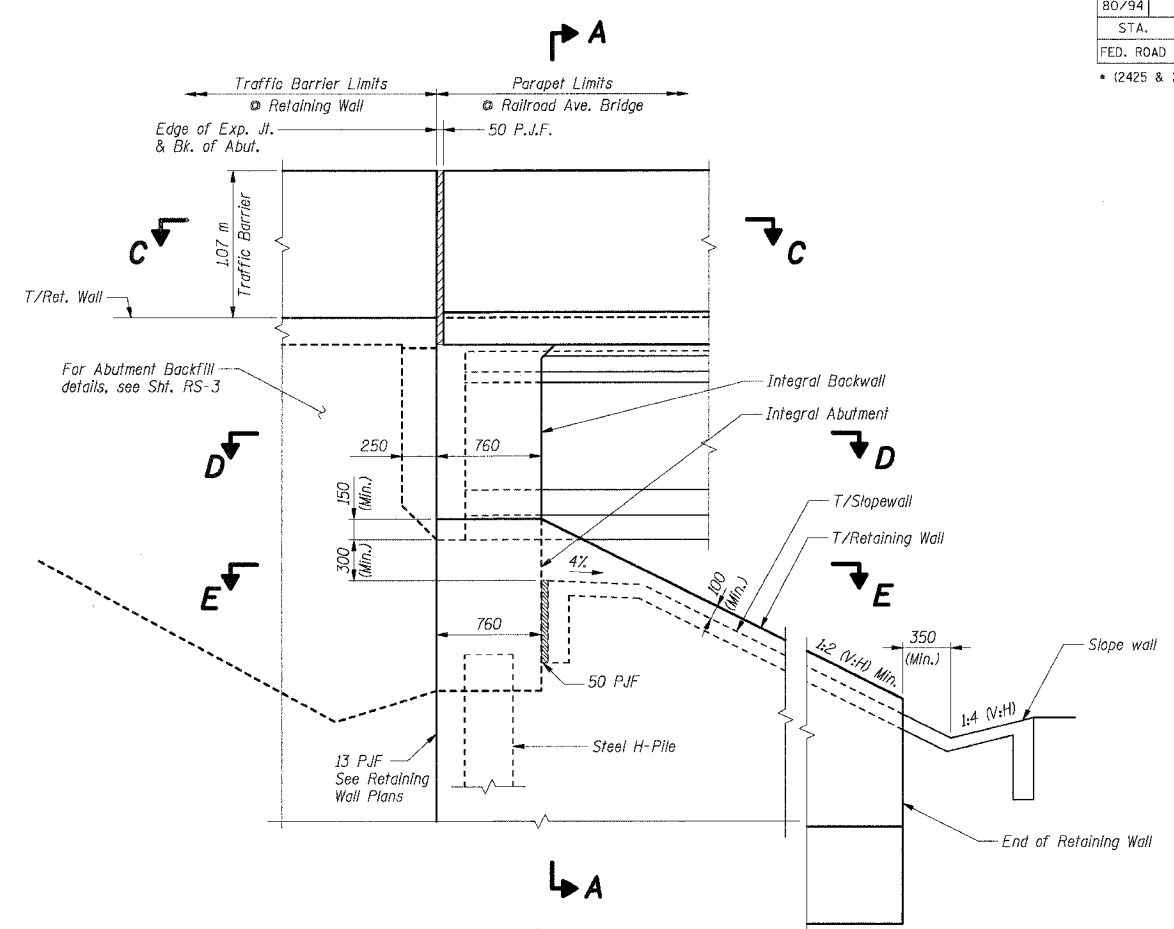


F.A.I. RTE.	SECTION	COUNTY	TOTAL SHEETS	SHEET NO.
80/94		COOK	631	426
STA.	TO STA.			
FED. ROAD DIST. NO.	ILLINOIS		FED. AID PROJECT	
• (2425 & 2626) R-2		CONTRACT NO. 62111		

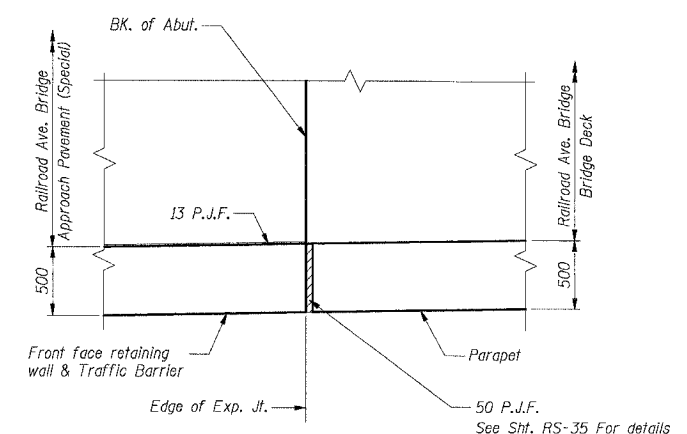


SECTION A-A

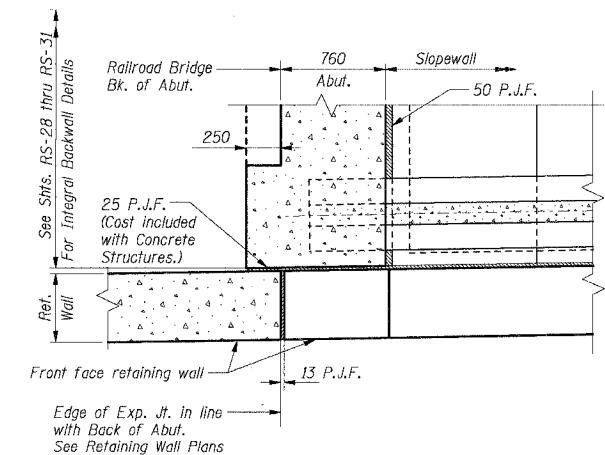


NORTH ELEVATION B-B AT ABUTMENT/RETAINING WALL

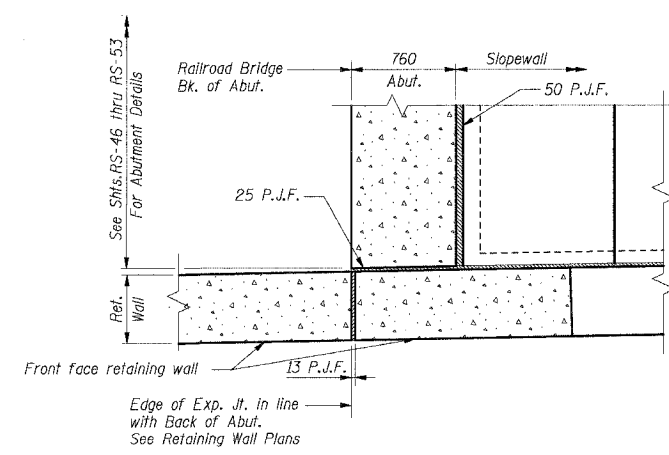
(Looking North)
Retaining Wall S.N. 016-W847
Retaining Wall S.N. 016-W848, W849, and W850 Similar.



PLAN DETAIL C-C



SECTION D-D



SECTION E-E

THIS SHEET FOR INFORMATION ONLY

- Notes:**
1. All dimensions are in millimeters (mm) except as noted.
 2. See Sht. RS-55 For Slopewall Details.
 3. See Shts. RS-28 thru RS-31 For Integral Backwall details.
 4. See Shts. RS-46 thru RS-53 For Abutment details.

SHT. RS-54 OF 70

REVISIONS	
NAME	DATE

ILLINOIS DEPARTMENT OF TRANSPORTATION
F.A.I. ROUTE 80/94 (KINGERY EXPRESSWAY)
EB & WB INSIDE LANES (MAINLINE) CONSTRUCTION
I-80/94 OVER RAILROAD AVENUE
STRUCTURE NO. 016-2792 STA. 6+025.000
SECTION 1977-121-R
COOK COUNTY

ABUTMENT & RETAINING WALL COORDINATION DETAILS

DATE: 7/18/2005

DRAWN BY: LG
CHECKED BY: MJK

TENG
TENG & ASSOCIATES, INC.
ENGINEERS/ARCHITECTS/PLANNERS
CHICAGO, ILLINOIS

BAIZEKJ
 7-18-2005, 10:26:01
 T:\DOCUMENT\193750\STRUCT\JOB\ABI\3252A.DGN
 12.3.4.56.78.9.10.11.12.13.14.15.16.17.18.19.20.21.22.23.24.25.26.27.28.29.30.31.32.33.34.35.36.37.38.39.40.41.42.43.44.45.46.47.48.49.50.51.52.53.54.55.56.57.58.59.60.61.62.63.