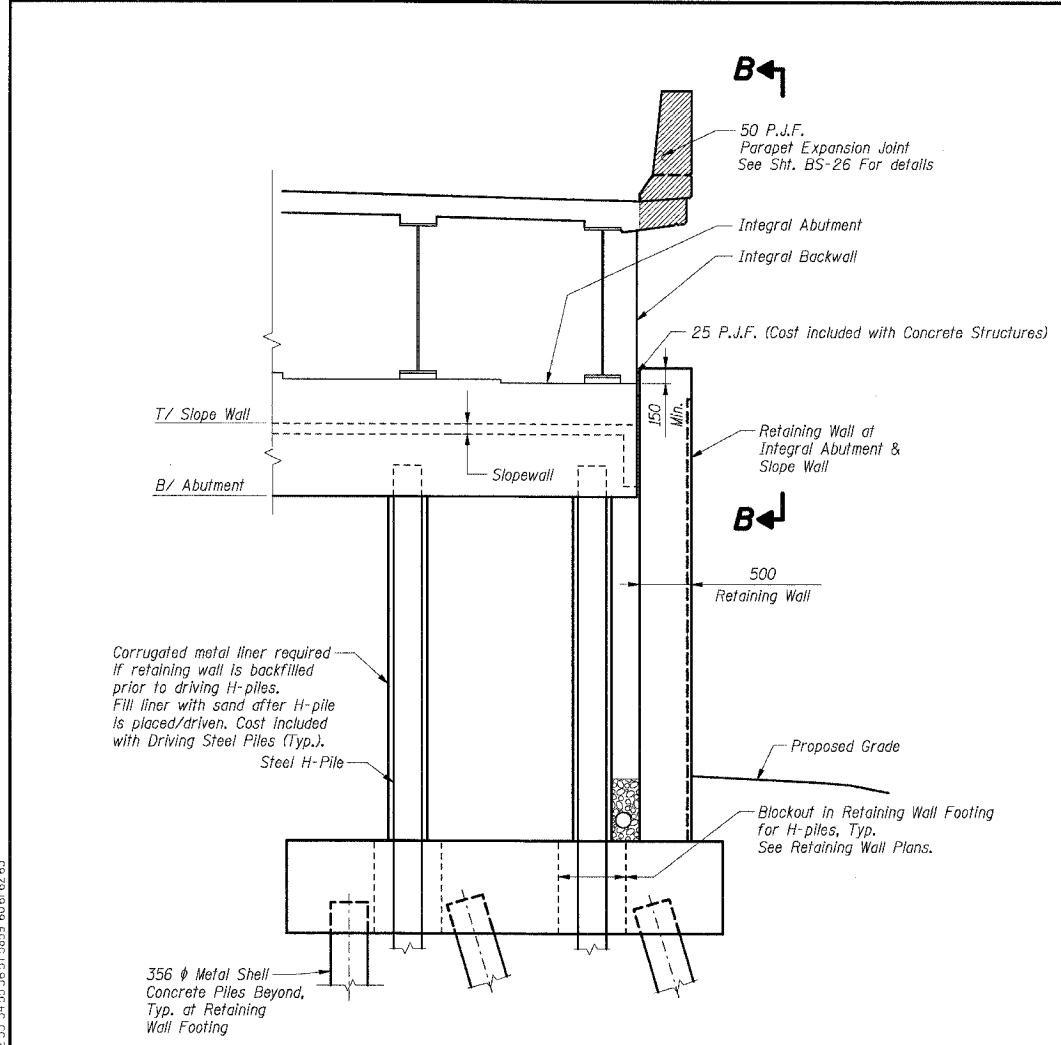
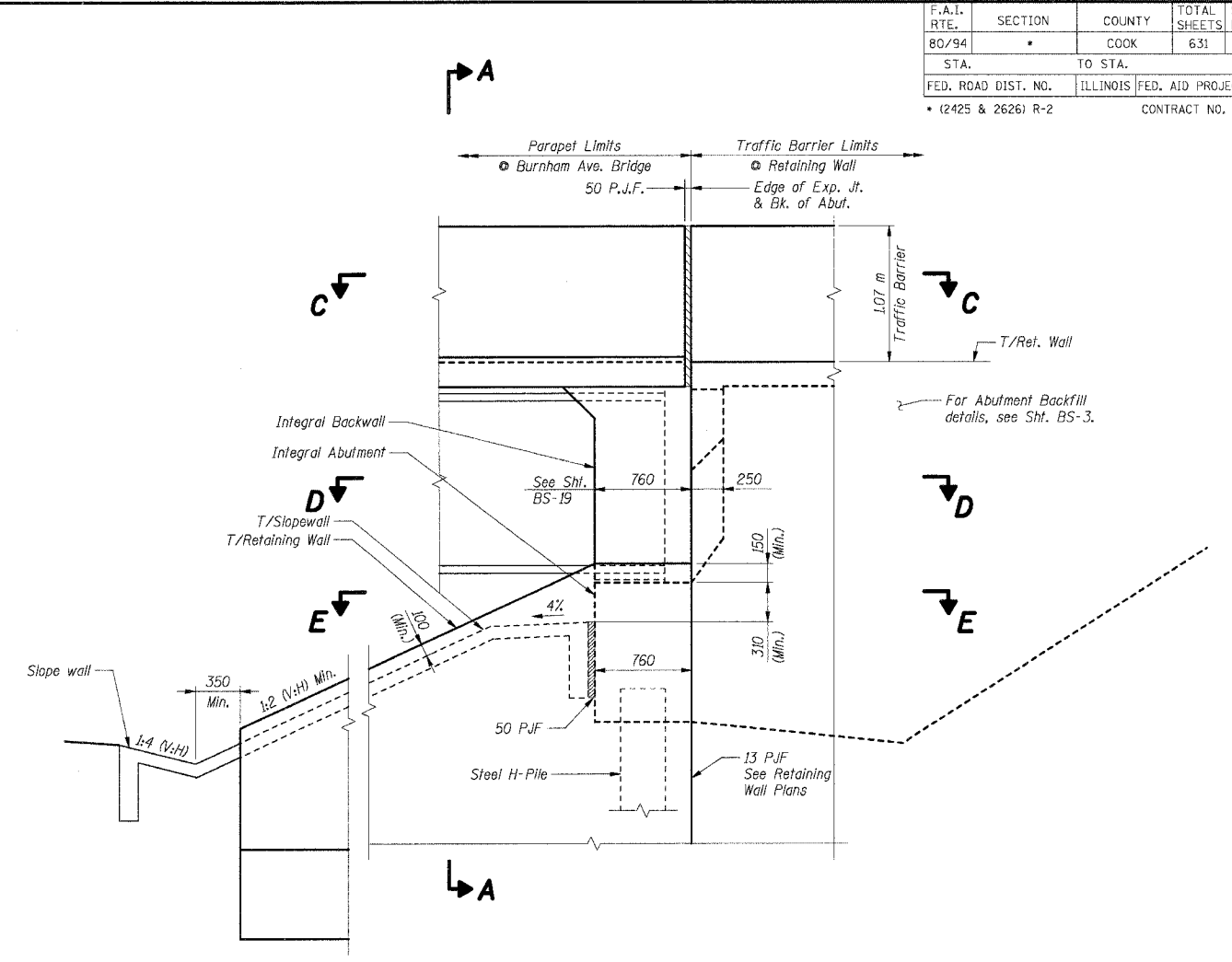


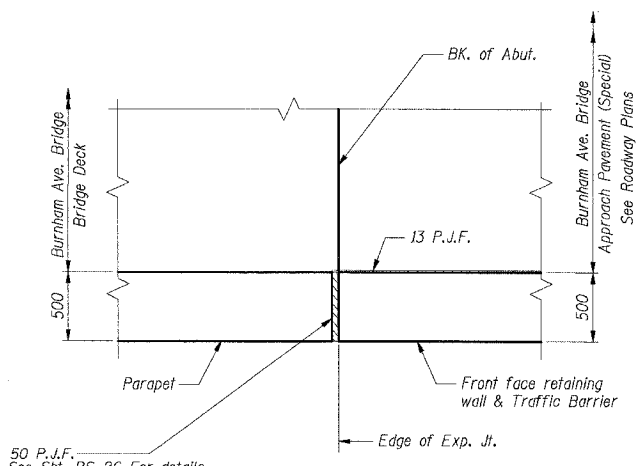
F.A.I. RTE.	SECTION	COUNTY	TOTAL SHEETS	SHEET NO.
80/94	*	COOK	631	486
STA.	TO STA.			
FED. ROAD DIST. NO.	ILLINOIS	FED. AID PROJECT		
* (2425 & 2626) R-2			CONTRACT NO. 62111	



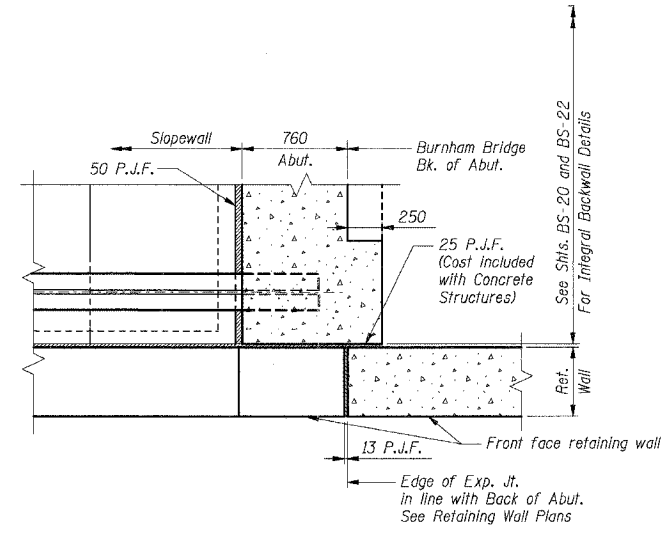
SECTION A-A



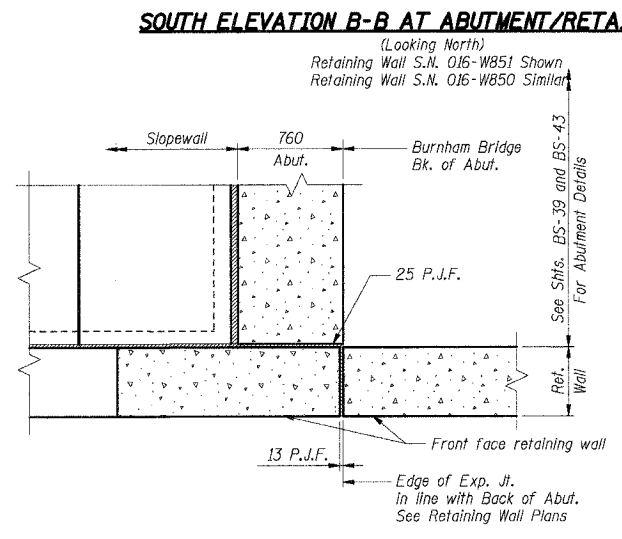
SOUTH ELEVATION B-B AT ABUTMENT/RETAINING WALL
(Looking North)
Retaining Wall S.N. 016-W851 Shown
Retaining Wall S.N. 016-W850 Similar



PLAN DETAIL C-C



SECTION D-D



SECTION E-E

- Notes:**
1. All dimensions are in millimeters (mm) except as noted.
 2. See Sht. BS-45 for slopewall details.
 3. See Shts. BS-20 and BS-22 For Integral Backwall details.
 4. See Shts. BS-19 and BS-43 For Abutment details.

\MS99002A.DGN, \MS99002A.DGN
 7/12/2005, 10:26:54
 2 3 4 5 6 7 8 9 10 11 12 13 14 15 16 17 18 19 20 21 22 23 24 25 26 27 28 29 30 31 32 33 34 35 36 37 38 39 40 41 42 43 44 45 46 47 48 49 50 51 52 53 54 55 56 57 58 59 60 61 62 63

SHT. BS-44 OF 60

REVISIONS	
NAME	DATE

ILLINOIS DEPARTMENT OF TRANSPORTATION
 F.A.I. ROUTE 80/94 (KINGERY EXPRESSWAY)
 EB & WB INSIDE LANES (MAINLINE) CONSTRUCTION
 1-80/94 OVER BURNHAM AVENUE
 STRUCTURE NO. 016-2791 STA. 6+772.591
 SECTION 1977-121-R
 COOK COUNTY

**ABUTMENT & RETAINING WALL
 COORDINATION DETAILS**

DATE: 7/18/2005
 DRAWN BY: LG
 CHECKED BY: MJK

TENG
 TENG & ASSOCIATES, INC.
 ENGINEERS/ARCHITECTS/PLANNERS
 CHICAGO, ILLINOIS