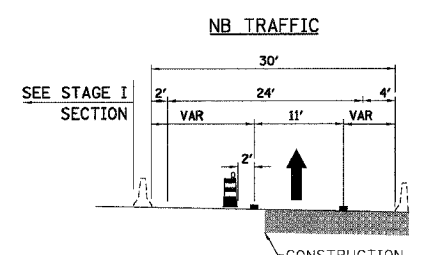
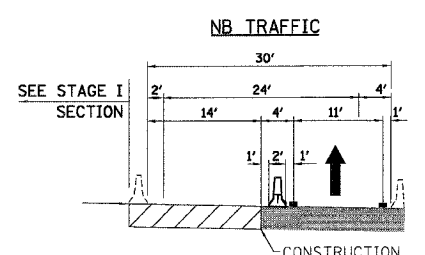
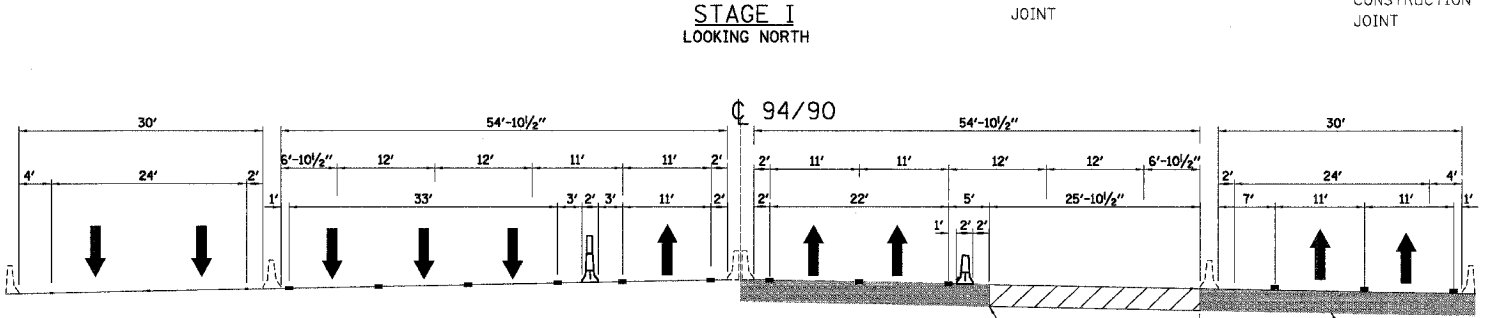
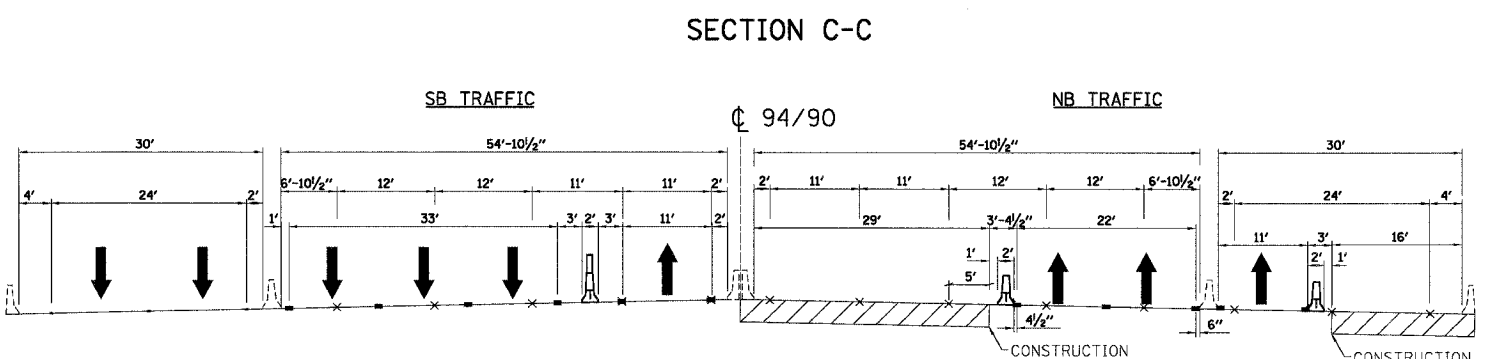
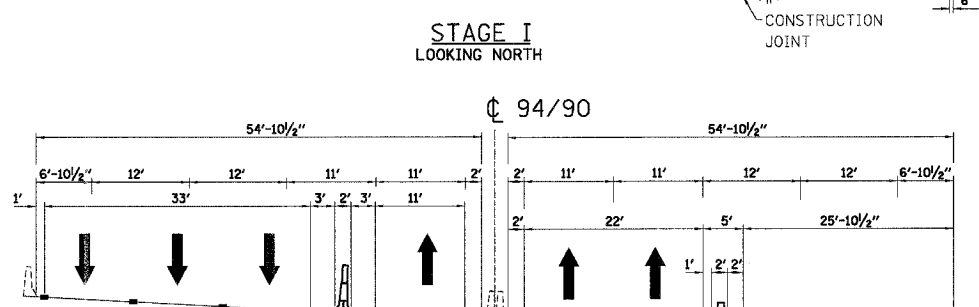
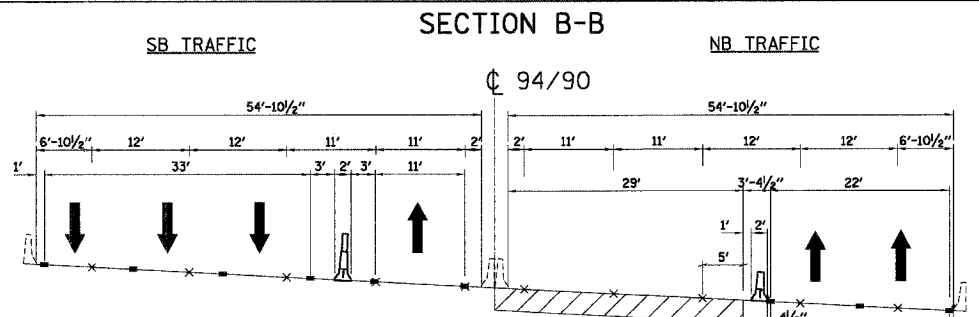
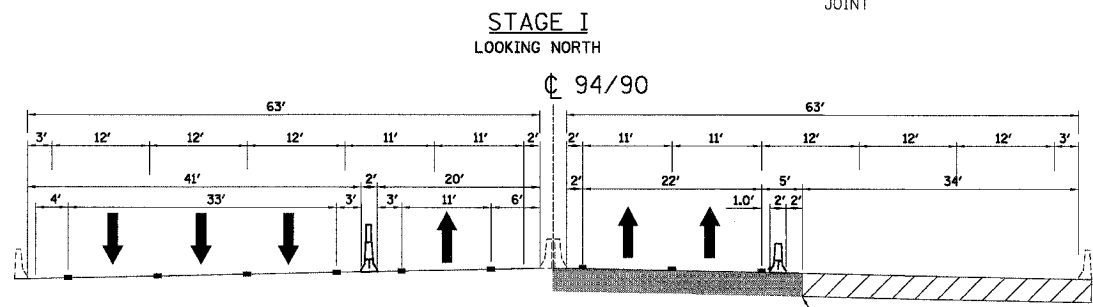
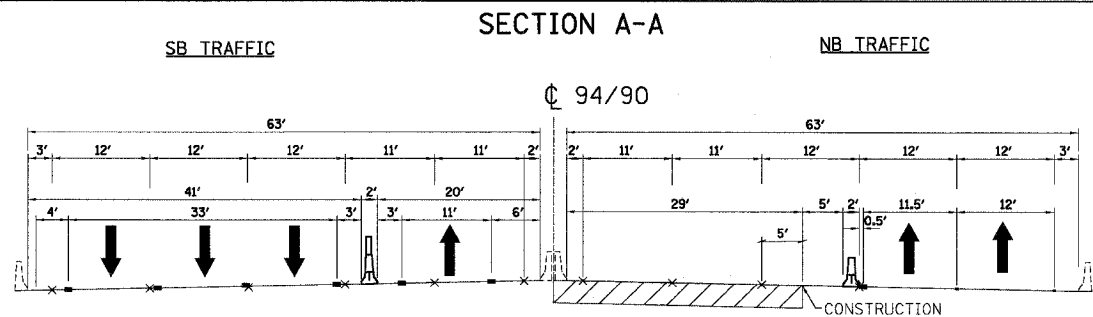


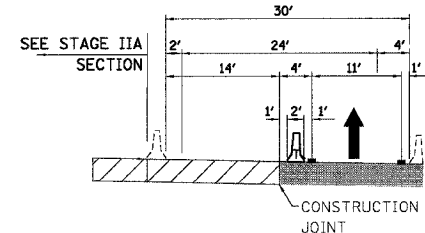
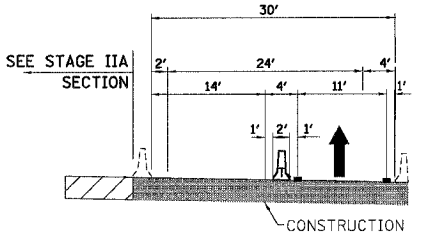
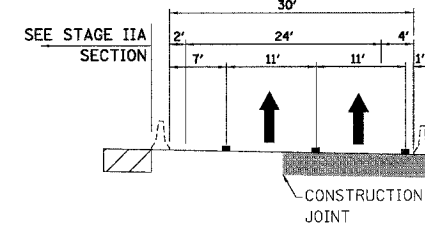
F.A.I.	SECTION	COUNTY	TOTAL SHEETS	SHEET NO.
94/90	2003-028F	COOK	419	27
STA.	TO STA.			
FED. ROAD DIST. NO.	ILLINOIS	FED. AID PROJECT		

62580

- LEGEND**
- TRAFFIC DIRECTION
 - EXISTING PAVEMENT MARKING
 - REMOVE EXISTING PAVEMENT MARKING
 - RAISED REFLECTIVE PAVEMENT MARKING REMOVAL
 - TEMPORARY PAVEMENT MARKING
 - WORK ZONE
 - TEMPORARY CONCRETE BARRIER
 - TEMPORARY CONCRETE BARRIER WITH TEMPORARY PAVEMENT MARKING - LINE 6"
 - TEMPORARY CONCRETE BARRIER WITH MODULAR GLARE SCREEN SYSTEM
 - OVERLAYED PAVEMENT
 - EXISTING BARRIER



FOR CORRESPONDING SECTION
SEE STAGE IIA TO THE LEFT



BOWMAN, BARRETT & ASSOCIATES INC.
CONSULTING ENGINEERS
Chicago, Illinois
312.228.0100
www.bbainc.com

REVISIONS	NAME	DATE

ILLINOIS DEPARTMENT OF TRANSPORTATION
F.A.I. 94/90 (DAN RYAN EXPRESSWAY)
NB DAN RYAN ELEVATED BRIDGE
REPAIR FROM 15TH TO 28TH STREETS
MAINTENANCE OF TRAFFIC PLAN
GENERAL NOTES AND TYPICAL SECTIONS
SCALE: =NTS
DATE: 8/12/2005
DRAWN BY: RA
CHECKED BY: RS

8/17/2005 12:53:39 AM