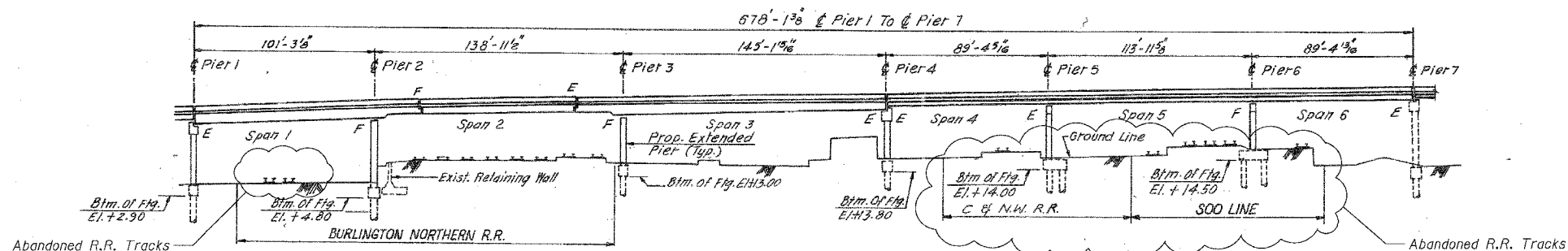
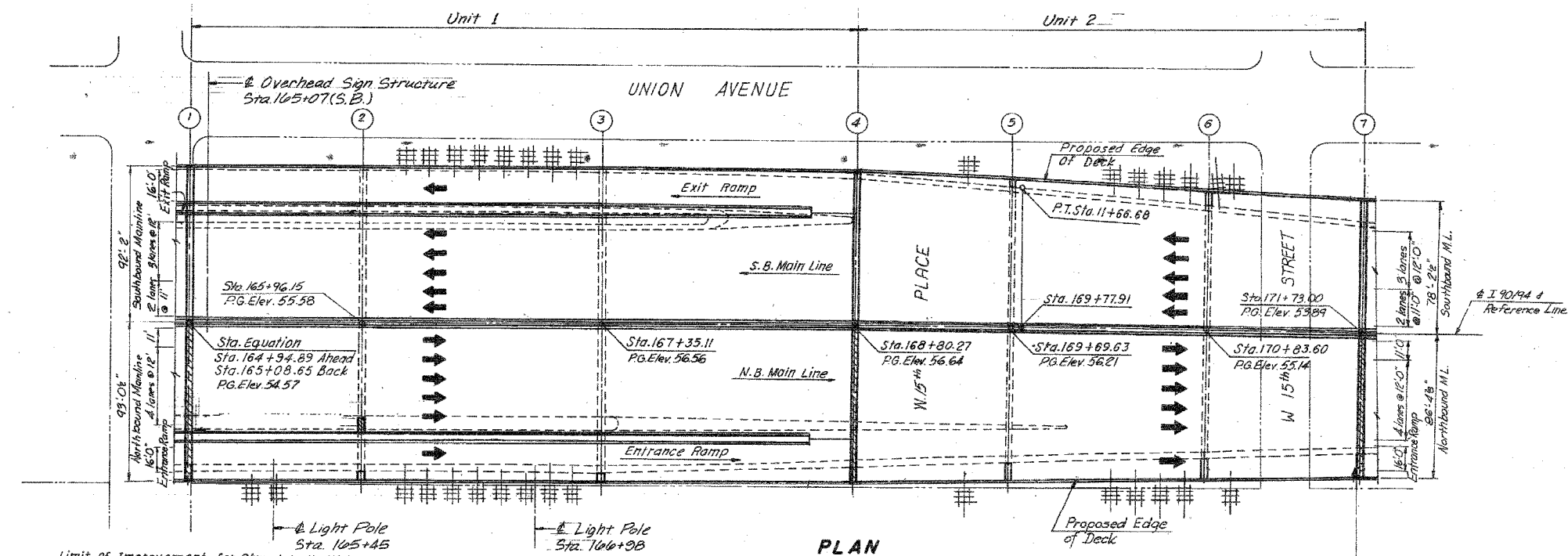


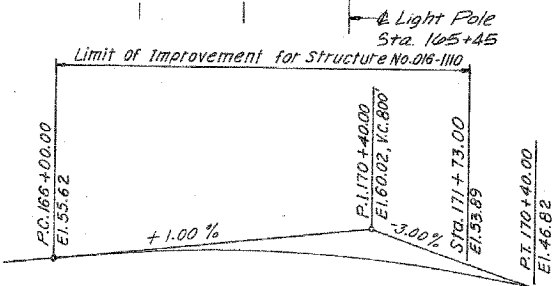
F.A.I.	SECTION	COUNTY	TOTAL SHEETS	SHEET NO.
94/90	2003-028F	COOK	419	141
STA.	TO STA.			
FED. ROAD DIST. NO.	ILLINOIS	FED. AID PROJECT		
62580				



ELEVATION



PLAN



PROFILE GRADE
DAN RYAN EXPRESSWAY (I-90/94)

BOWMAN, BARRETT & ASSOCIATES INC.
CONSULTING ENGINEERS
Chicago, Illinois
312.228.0100
www.bbandainc.com

For Notes and Legend see sheet 132.

REVISIONS		DATE
NAME		

ILLINOIS DEPARTMENT OF TRANSPORTATION
F.A.I. 94/90 (DAN RYAN EXPRESSWAY)
NB DAN RYAN ELEVATED BRIDGE
REPAIR FROM 15TH TO 28TH STREETS
GENERAL PLAN AND ELEVATION
SN 016-1110

SCALE: NTS
DATE: 7/22/2005

DRAWN BY: BDC
CHECKED BY: BLU