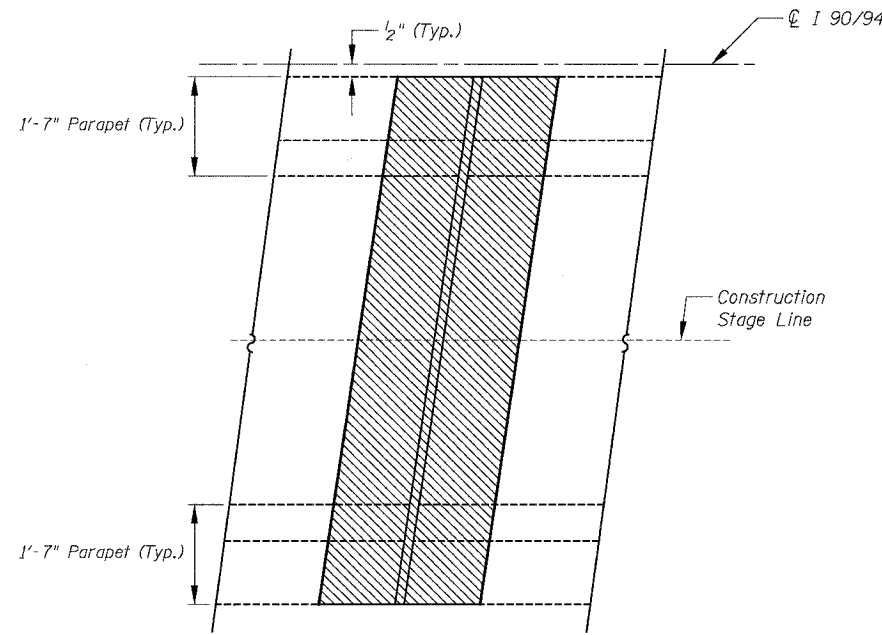
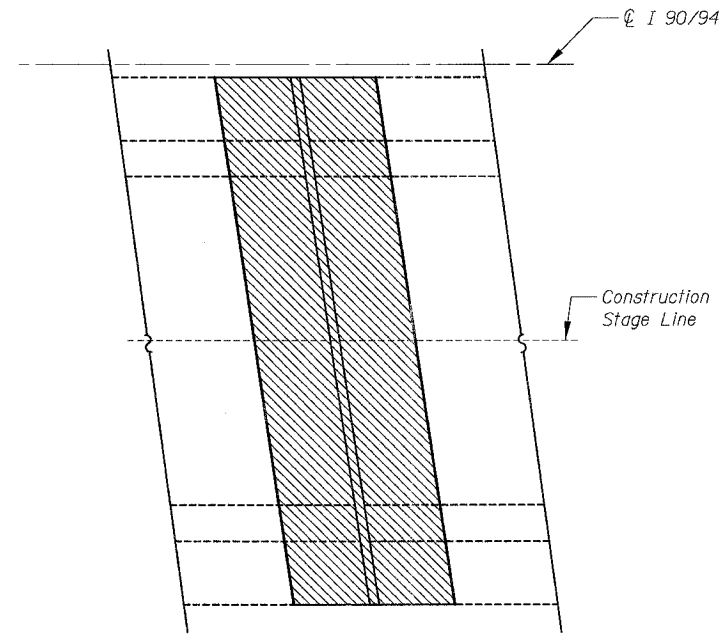


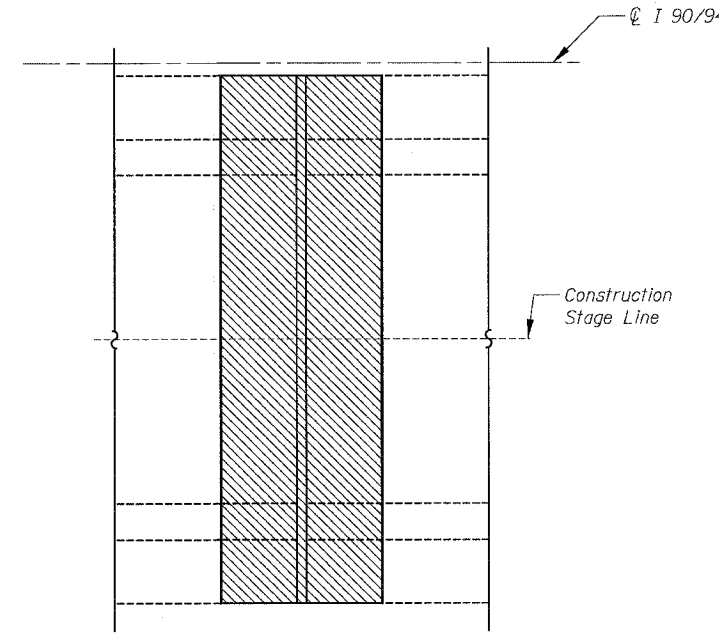
F.A.I.	SECTION	COUNTY	TOTAL SHEETS	SHEET NO.
94/90	2003-028F	COOK	419	165
STA.	TO STA.			
FED. ROAD DIST. NO.	ILLINOIS	FED. AID PROJECT		
62580				



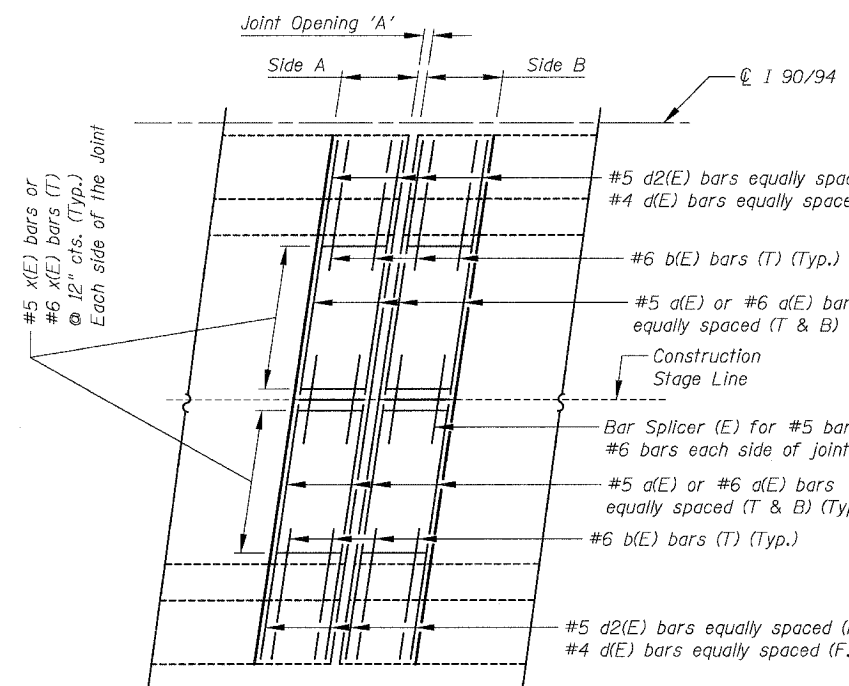
**EXISTING PARTIAL PLAN
(SKEWED LEFT FORWARD)**



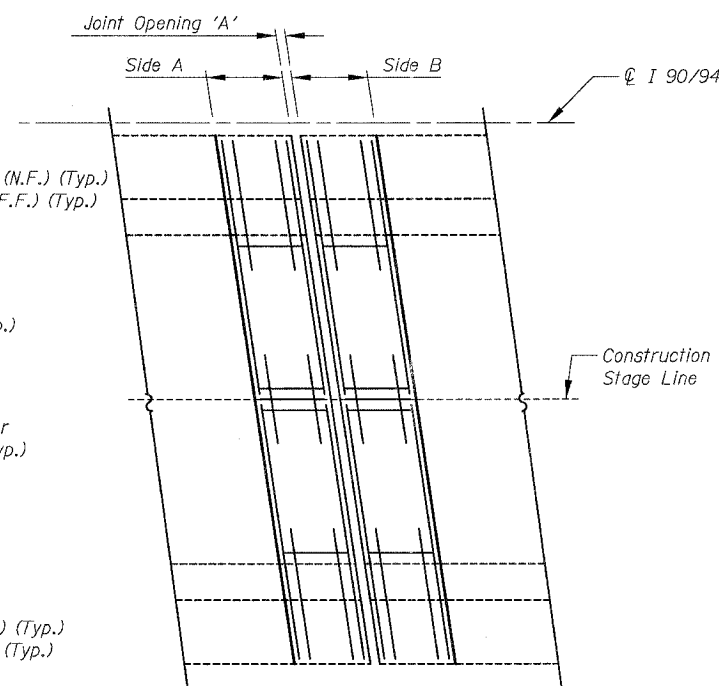
**EXISTING PARTIAL PLAN
(SKEWED RIGHT FORWARD)**



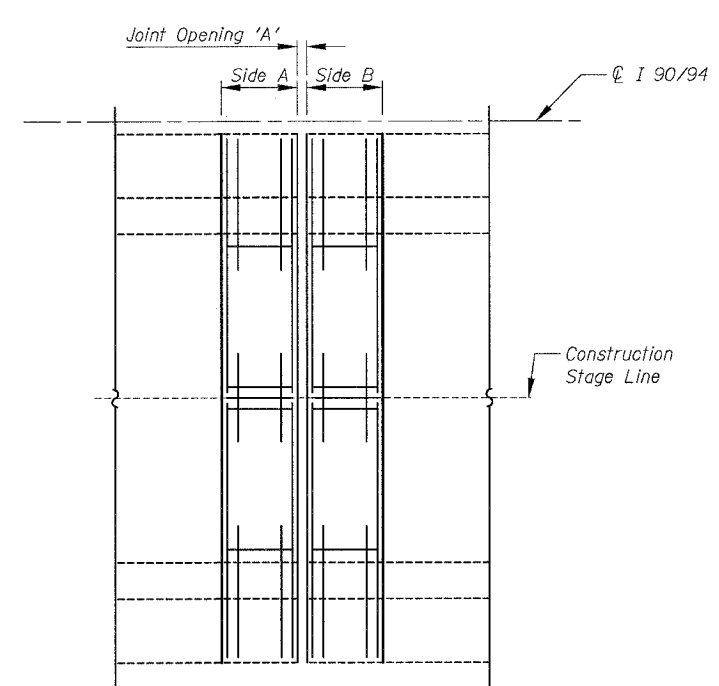
**EXISTING PARTIAL PLAN
(NO SKEW)**



**(D) PROPOSED PARTIAL PLAN
(STAGED CONSTRUCTION)
(SKEWED LEFT FORWARD)**



**(E) PROPOSED PARTIAL PLAN
(STAGED CONSTRUCTION)
(SKEWED RIGHT FORWARD)**



**(F) PROPOSED PARTIAL PLAN
(STAGED CONSTRUCTION)
(NO SKEW)**

BOWMAN, BARRETT & ASSOCIATES INC.
CONSULTING ENGINEERS
Chicago, Illinois
312.228.0100
www.bbandainc.com

For Notes, Legend, Abbreviations and Reinforcement Bar Locations see sheet 164

REVISIONS	
NAME	DATE

ILLINOIS DEPARTMENT OF TRANSPORTATION
F.A.I. 94/90 (DAN RYAN EXPRESSWAY)
NB DAN RYAN ELEVATED BRIDGE
REPAIR FROM 15TH TO 28TH STREETS
TYPICAL PARTIAL PLAN
AT STAGED ROADWAYS

SCALE: NTS
DATE: 8/12/2005

DRAWN BY: BDC
CHECKED BY: BLU

11/5/4/2 AM 8/11/2005