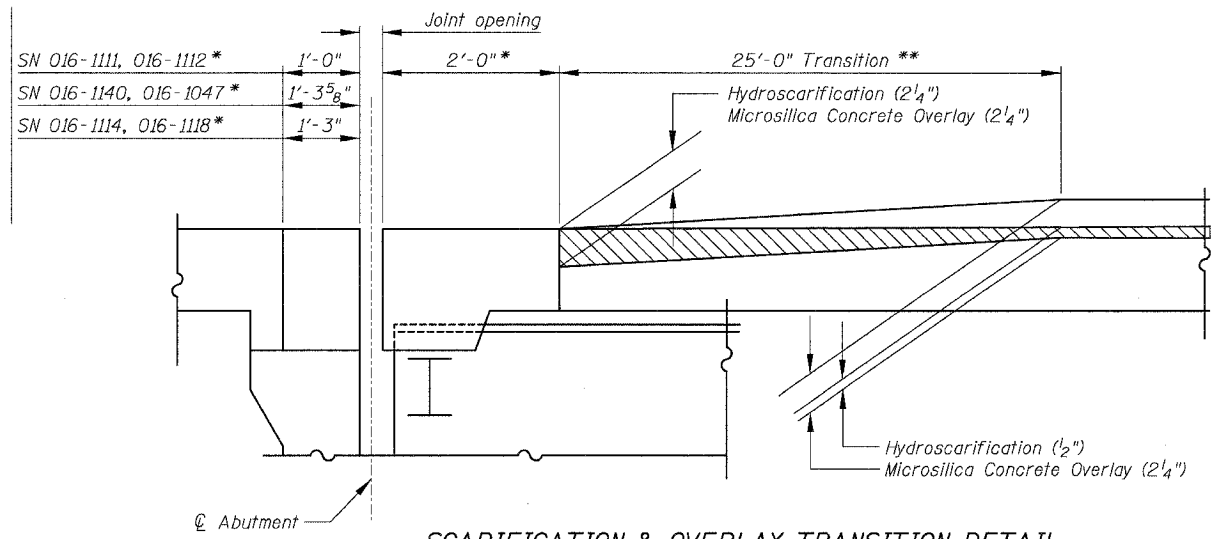
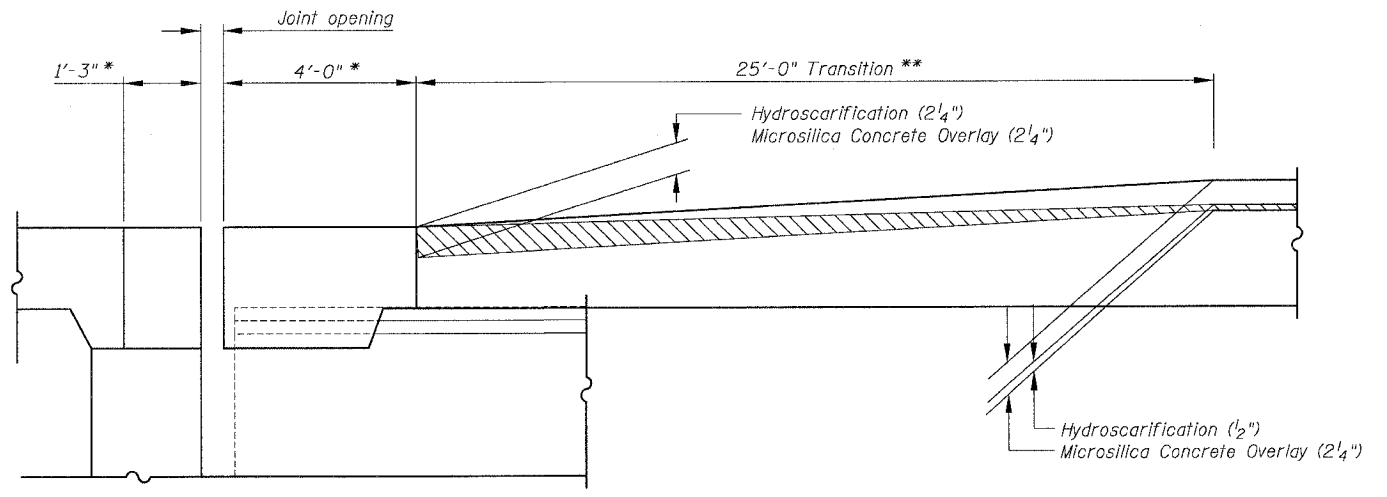


F.A.I.	SECTION	COUNTY	TOTAL SHEETS	SHEET NO.
94/90	2003-02BF	COOK	419	169
STA.	TO STA.			
FED. ROAD DIST. NO.	ILLINOIS	FED. AID PROJECT		
62580				



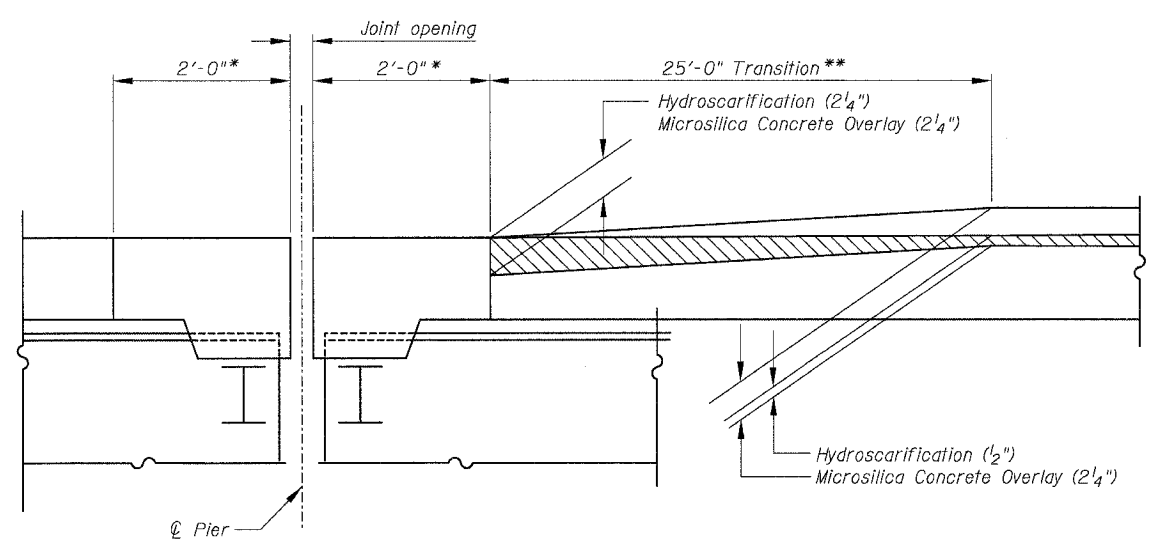
SCARIFICATION & OVERLAY TRANSITION DETAIL

- SN 016-1111 E5 / Abut.
- SN 016-1112 D14 / Abut.
- SN 016-1140 B18 / Abut.
- SN 016-1047 E30 / Abut.
- SN 016-1117 S. Abut.
- SN 016-1118 S. Abut.



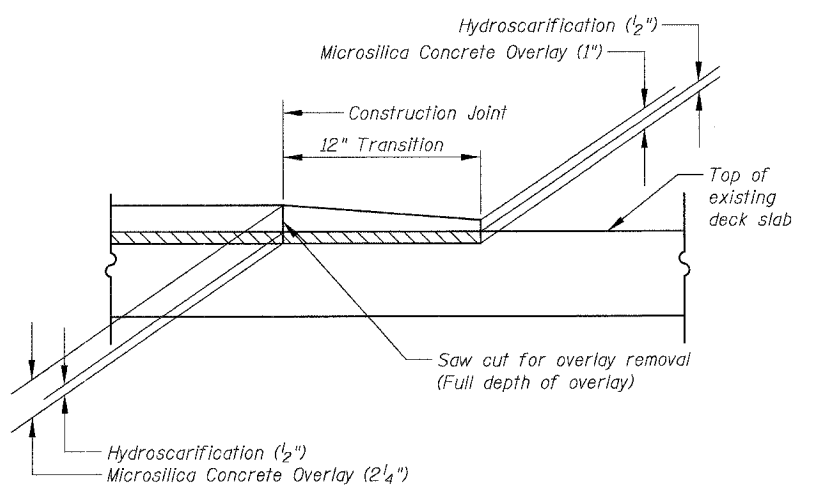
SCARIFICATION & OVERLAY TRANSITION DETAIL

SN 016-0137 N. Abut.



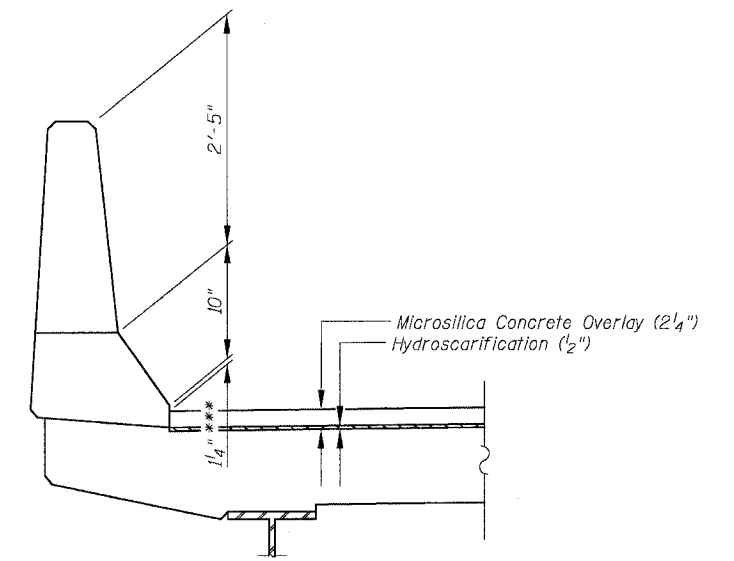
SCARIFICATION & OVERLAY TRANSITION DETAIL

SN 016-1059 Pier 43



SCARIFICATION & OVERLAY TRANSITION DETAIL AT TRAFFIC CROSSOVER

Location	Sheet Number
1 & 2	152
3 & 4	153
5	157



SCARIFICATION & OVERLAY DETAIL AT PARAPET (Typ.)

Notes:
 Microsilica Concrete Overlay shall be used for the transition for traffic crossover locations as shown on the Partial Deck Plans and MOT Plans. When the Contractor proceeds to the next stage of the construction and the transition is no longer required the Contractor shall remove the overlay by saw cut full depth and hydroscarify.
 The cost of the overlay for the transition, materials and installation shall be included in the cost for "Microsilica Concrete Overlay (2 1/4)".
 The cost of the saw cut full depth and the removal of the overlay shall be included in the cost for "Bridge Deck Hydroscarification (1/2)".
 * Construct new concrete at joints to same lines and grades as existing at these locations.
 ** Cost of increased hydroscarification depth over length of transition shall be included with "Bridge Deck Hydroscarification (1/2)".
 *** Contractor shall increase scarification thickness or reduce overlay thickness as directed by the Engineer to ensure this is never less than 0".

BOWMAN, BARRETT & ASSOCIATES INC.
 CONSULTING ENGINEERS
 Chicago, Illinois
 312.228.0100
 www.bbainc.com

REVISIONS	
NAME	DATE

ILLINOIS DEPARTMENT OF TRANSPORTATION
 F.A.I. 94/90 (DAN RYAN EXPRESSWAY)
 NB DAN RYAN ELEVATED BRIDGE
 REPAIR FROM 15TH TO 28TH STREETS
 SCARIFICATION & OVERLAY
 TRANSITION DETAILS

SCALE: NTS
 DATE: 8/12/2005

DRAWN BY: BDC
 CHECKED BY: BLU

8/17/2005 11:54:43 AM
 n:\650\constr\03\02bf\016\1140\1118\1118.dwg