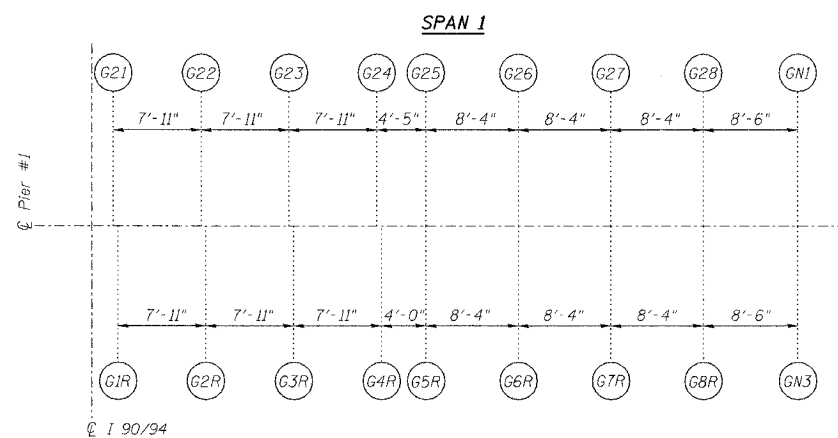


STATE OF ILLINOIS
DEPARTMENT OF TRANSPORTATION

ROUTE NO.	SECTION	COUNTY	TOTAL SHEETS	SHEET NO.
FAI 90/94	.	COOK	419	180
FED. ROAD DIST. NO.	ILLINOIS	PROJECT		

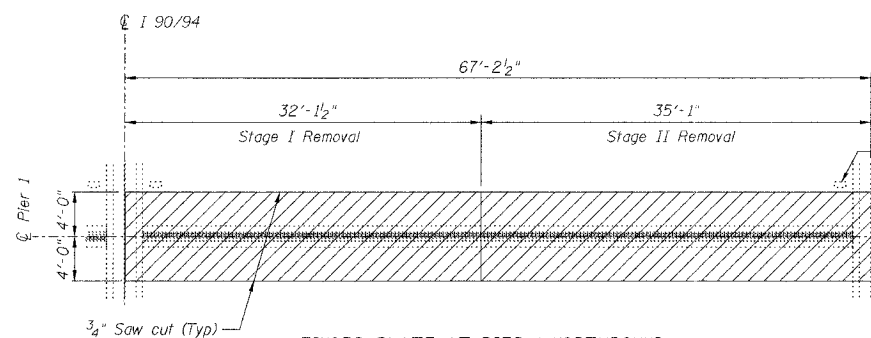
Sheet No 2
of 8 Sheets

• 2005-008F
CONTRACT #62580

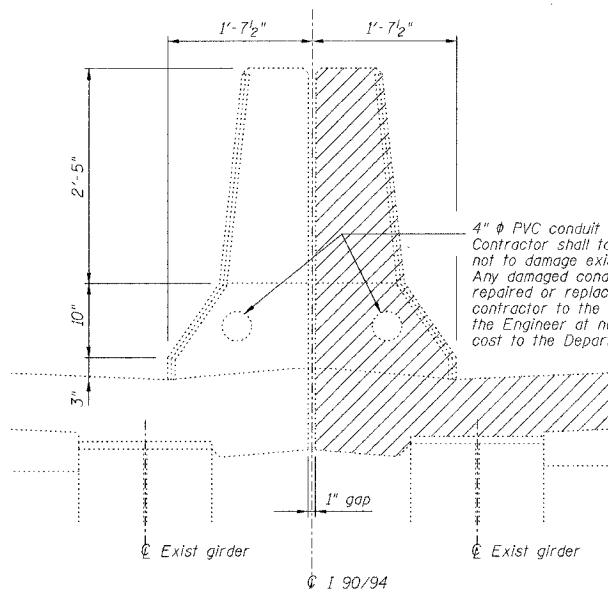


Note:
All dimensions on girder layout
are given along centerline of bearing.

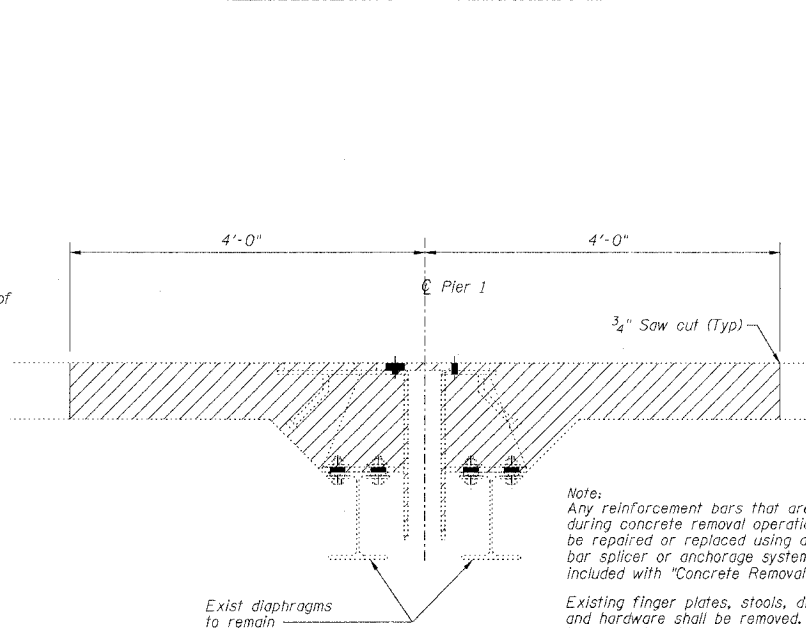
SPAN II
(SN 016-1111)
GIRDER LAYOUT AT PIER 1



**FINGER PLATE AT PIER 1 NORTHBOUND
JOINT REMOVAL PLAN AT PIER 1**

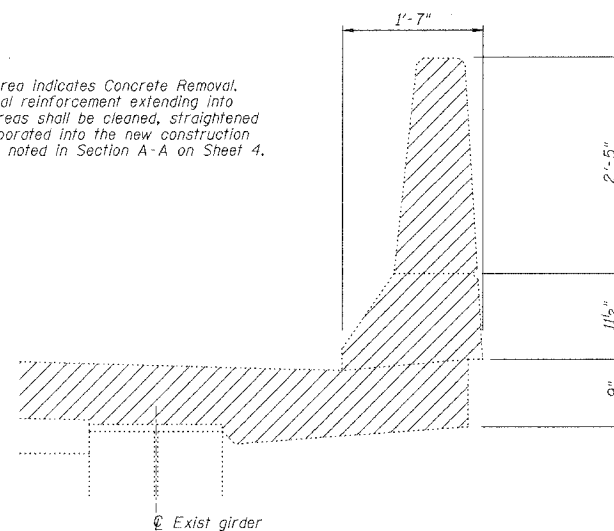


DETAIL AT EXISTING MEDIAN PARAPET



SECTION AT EXISTING FINGER PLATE AT PIER 1

Note:
Hatched area indicates Concrete Removal. Longitudinal reinforcement extending into removal areas shall be cleaned, straightened and incorporated into the new construction except as noted in Section A-A on Sheet 4.



DETAIL AT EXISTING OUTSIDE PARAPET

PIER NO. 1

FINGER PLATE EXPANSION JOINT REMOVAL DETAILS

REVISIONS NO. DATE INITIALS		STATE OF ILLINOIS DEPARTMENT OF TRANSPORTATION DIVISION OF HIGHWAYS		DRAWN BY: FLK DATE: 5/03
		FAI RTE 90/94 SEC 2005-008F		CHECKED BY: SDS DATE: 5/03
		DAN RYAN EXPRESSWAY SN 016-1110 (NORTHBOUND)		BOOK NUMBER
		COOK COUNTY		PROJECT NO.: 4222-3
		CHASTAIN & ASSOCIATES CONSULTING ENGINEERS		SHEET NO.
		8609 W. BRYAN MAWEE AVENUE SUITE 204 CHICAGO, ILLINOIS 60681 312-734-0050 FAX: 312-734-0055		