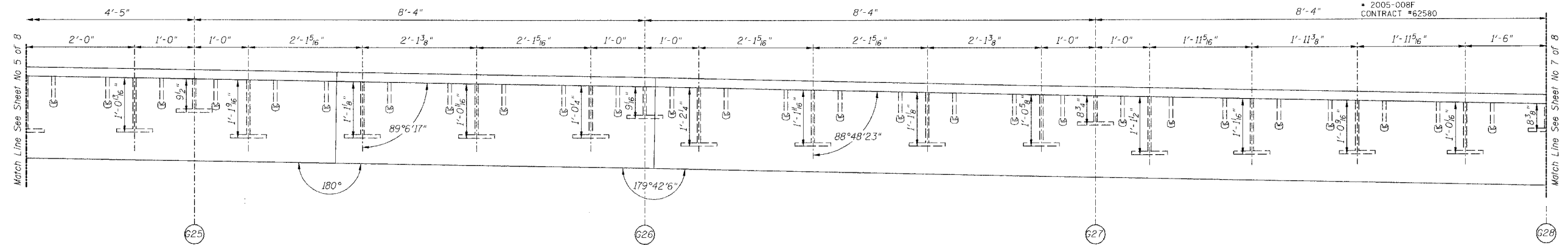


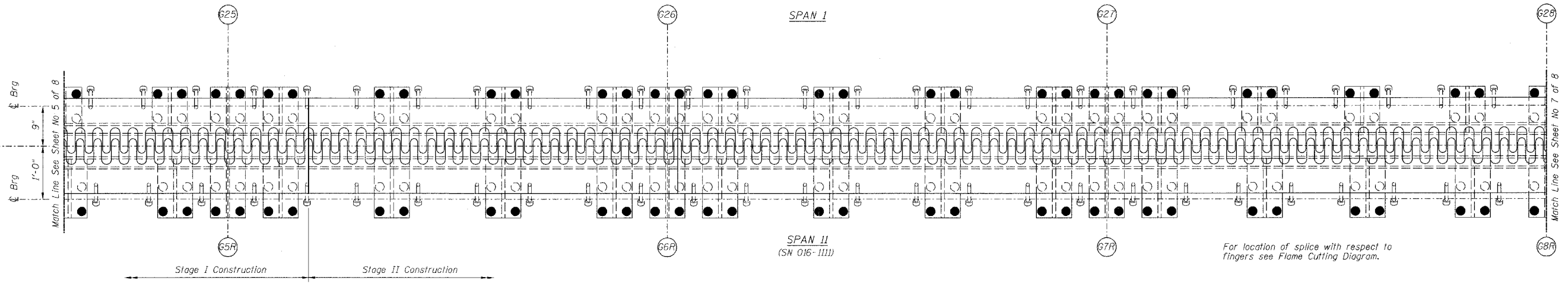
STATE OF ILLINOIS
DEPARTMENT OF TRANSPORTATION

ROUTE NO.	SECTION	COUNTY	TOTAL SHEETS	SHEET NO.
FAI 90/94	*	COOK	419	184
FED. ROAD DIST. NO.	ILLINOIS	PROJECT		
		* 2005-008F CONTRACT #62580		

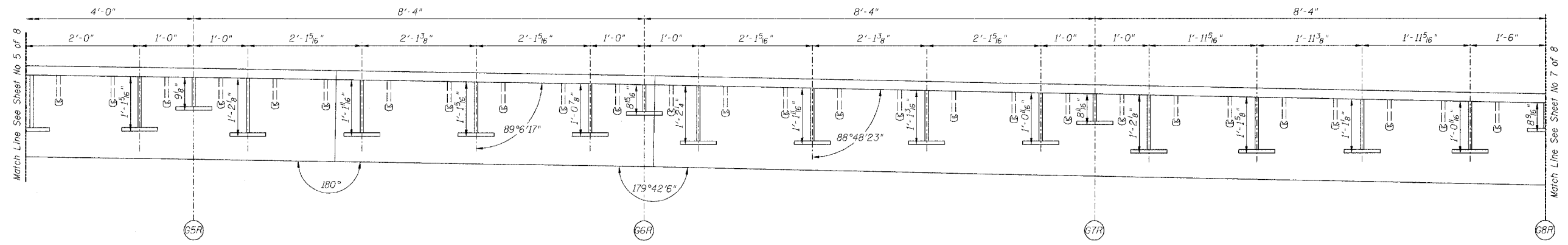
Sheet No 6
of 8 Sheets



SECTION A-A



PLAN OF FINGER PLATE AT PIER 1 (NORTHBOUND)



SECTION B-B

PIER NO. 1

REVISIONS			DRAWN BY DATE	
1			RLK	5/03
2			SDS	5/03
3				
4				
5				
6				
7				
8				
9				
10				

STATE OF ILLINOIS DEPARTMENT OF TRANSPORTATION DIVISION OF HIGHWAYS		PROJECT NO. 4222-3
FAI RTE 90/94	DAN RYAN EXPRESSWAY	
SN 016-1110 (NORTHBOUND)	COOK COUNTY	
SEC 2005-008F		
CHASTAIN & ASSOCIATES CONSULTING ENGINEERS 8620 W. BURNHAM AVENUE SUITE 204 CHICAGO, ILLINOIS 60681 TEL: 774-6050 FAX: 312-714-6055		SHEET NO.

Note:
For optional splice detail see
flame cutting diagram on Sheet No. 4