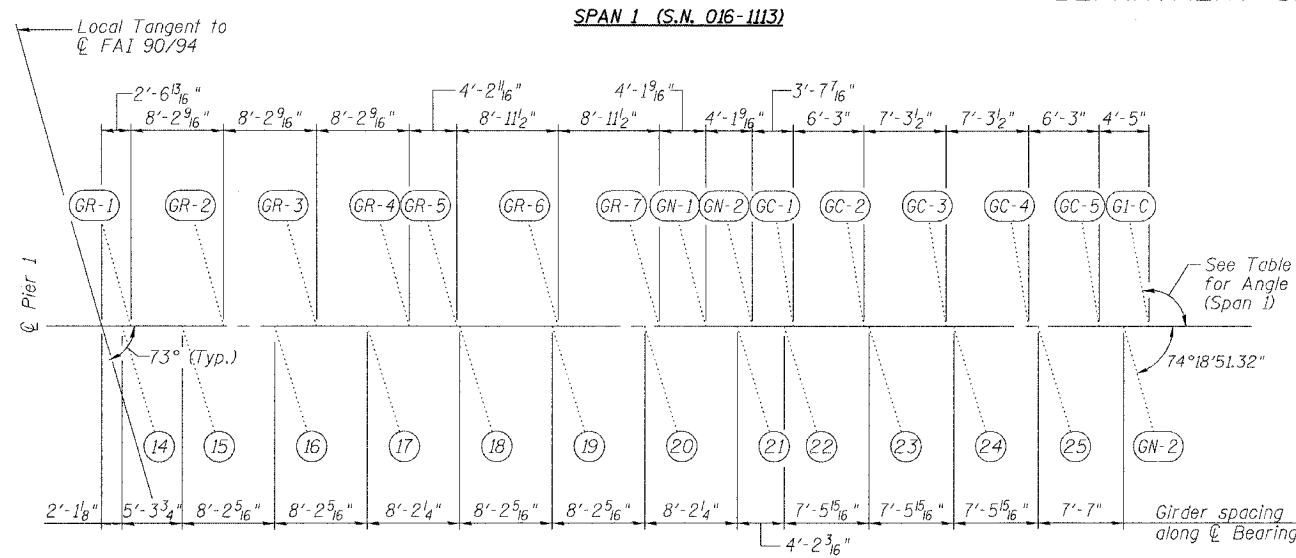


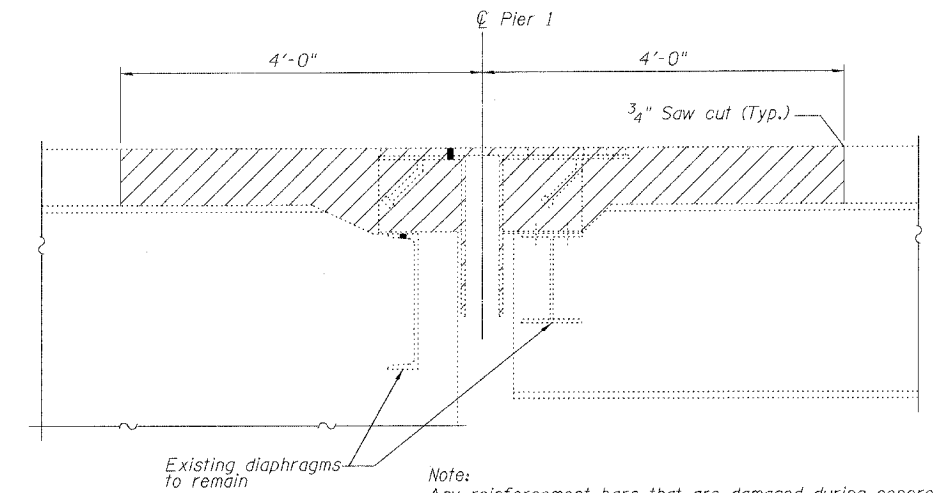
STATE OF ILLINOIS
DEPARTMENT OF TRANSPORTATION

ROUTE NO.	SECTION	COUNTY	TOTAL SHEETS	SHEET NO.
FAI 90/94	*	COOK	419	204
FED. ROAD DIST. NO.	ILLINOIS	FED. AID PROJECT		
* 2005-008F Contract #62580				

SHEET NO. 2
9 SHEETS



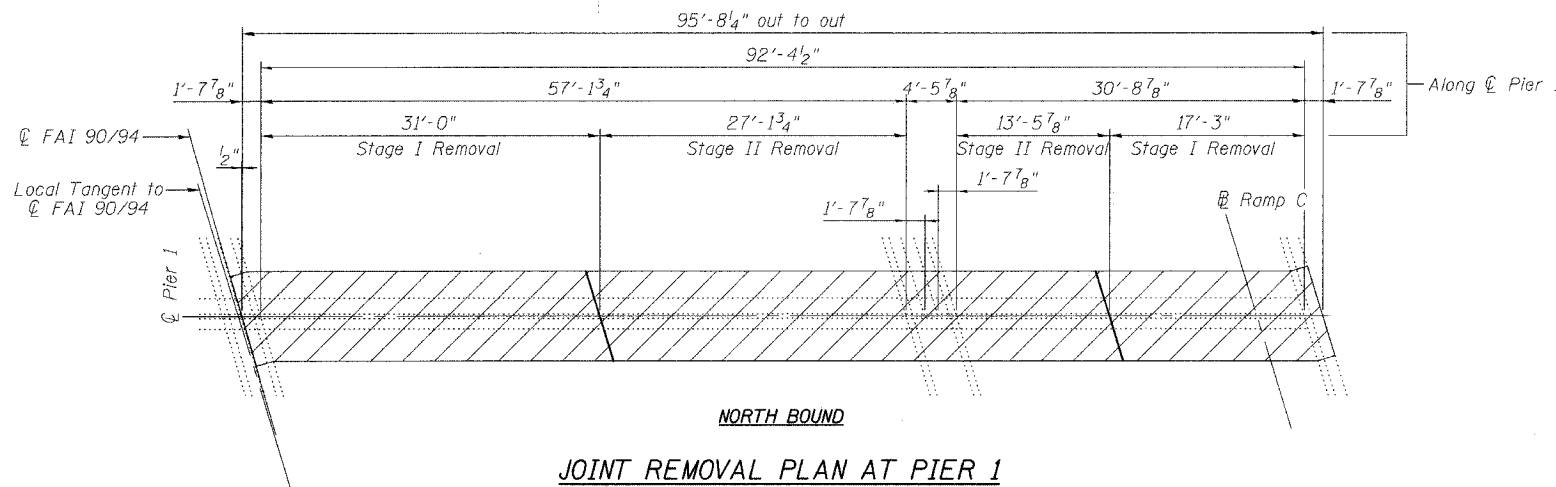
Girder	Angle
GR-1	105°33'08"
GR-2	105°33'09"
GR-3	105°33'09"
GR-4	105°33'09"
GR-5	105°35'13"
GR-6	105°39'27"
GR-7	105°43'31"
GN-1	104°31'37"
GN-2	103°26'38"
GC-1	98°54'18"
GC-2	98°58'51"
GC-3	99°04'13"
GC-4	99°09'41"
GC-5	99°14'25"
GI-C	100°11'18"



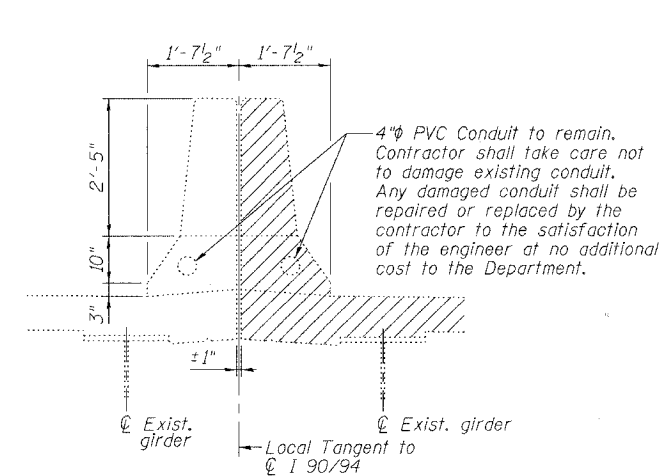
Note:
Any reinforcement bars that are damaged during concrete removal operations shall be repaired or replaced using an approved bar splicer or anchorage system. Cost included with "Concrete Removal".

Existing finger plates, stools, drainage trough and hardware shall be removed. Cost included with "Concrete Removal".

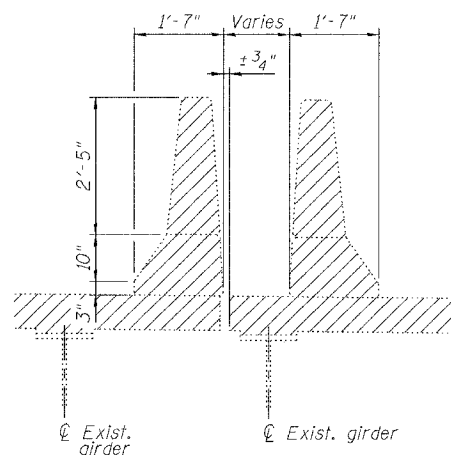
**SECTION AT
EXISTING FINGER PLATE**
(Dimensions at Rt. L's)



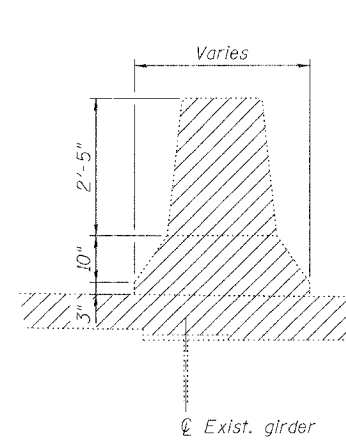
Notes:
Hatched Area indicates "Concrete Removal".
Existing transverse bars in the deck are placed at right angles to \perp Roadway. Existing transverse bars extending into removal areas shall be cut to miss the new finger joint, cleaned and incorporated into the new construction.
Longitudinal reinforcement extending into removal areas shall be cleaned, straightened and incorporated into the new construction except as noted on Section A-A on Sheet 4.



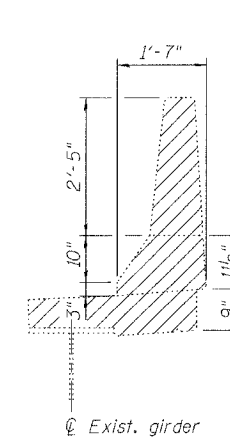
**DETAIL AT EXISTING Q FAI 90/94
MEDIAN PARAPET**
(Dimensions at Rt. L's)



**DETAIL AT EXISTING N.B. FAI 90/94
& RAMP C PARAPET - SPAN 1**
(Dimensions at Rt. L's)



**DETAIL AT EXISTING N.B. FAI 90/94
& RAMP C PARAPET - SPAN 3**
(Dimensions at Rt. L's)



**DETAIL AT EXISTING
OUTSIDE PARAPET**
(Dimensions at Rt. L's)

REVISIONS	
NAME	DATE

ILLINOIS DEPARTMENT OF TRANSPORTATION
**FINGER PLATE EXPANSION JOINT
REMOVAL DETAILS**
F.A.I. ROUTE 90/94 NORTHBOUND (DAN RYAN EXPRESSWAY)
OVER SOUTH BRANCH - CHICAGO RIVER
COOK COUNTY
S.N. 016-1113 - PIER 1

SCALE: VERT. _____
HORIZ. _____
DATE: 3/22/05

DRAWN BY: LANDREY
DESIGNED BY: SANFORD
CHECKED BY: _____

GREENE & BRADFORD, INC.
OF SPRINGFIELD
REGISTERED PROFESSIONAL ENGINEERS
PROFESSIONAL SEAL NO. 06-000000
ILLINOIS PROFESSIONAL ENGINEERING BOARD
CORP. 1944, 801 N. 2ND ST., SPRINGFIELD, ILL. 62761-1000

COMPUTER FILE NO.
04286-W01-NB-REM
PROJECT 04286-W01
8/3/05-MML

FILE NAME = \$PLOTFILES\$ DRV = \$PLOTTERS\$
PLOT SCALE = 8/3/2005
PLOT DATE = 9:46:17 AM
OPERATOR = michaelli