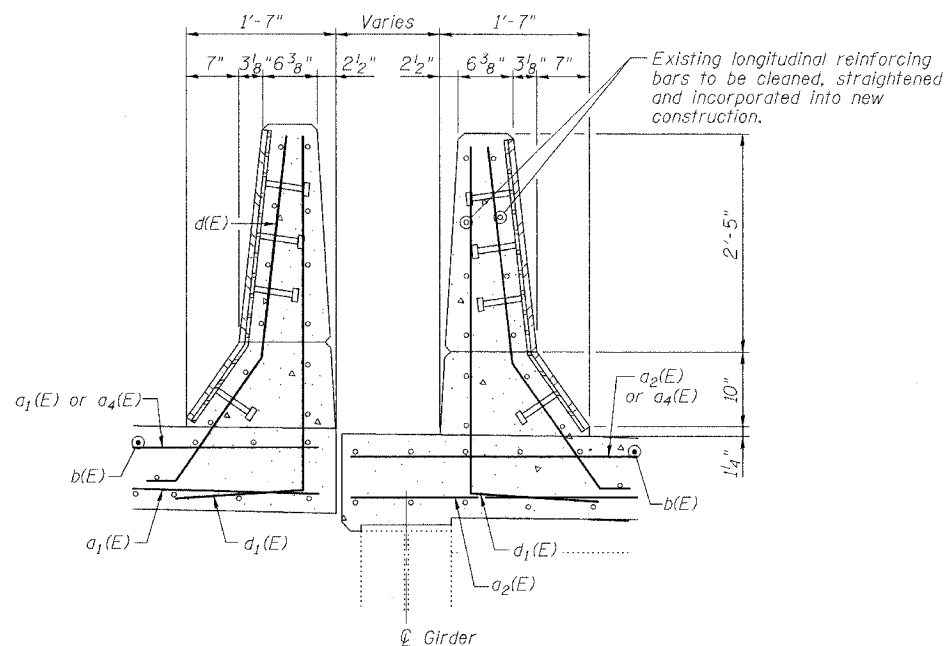


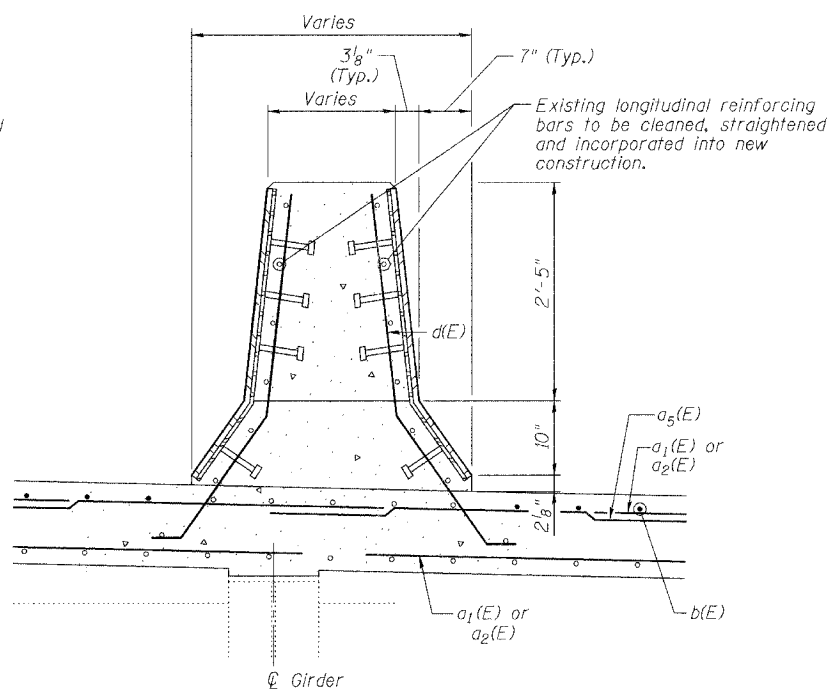
STATE OF ILLINOIS
DEPARTMENT OF TRANSPORTATION

ROUTE NO.	SECTION	COUNTY	SHEETS	SHEET NO.
FAI 90/94	*	COOK	419	207
FED. ROAD DIST. NO.	ILLINOIS	FED. AID PROJECT		
* 2005-008F Contract #62580				

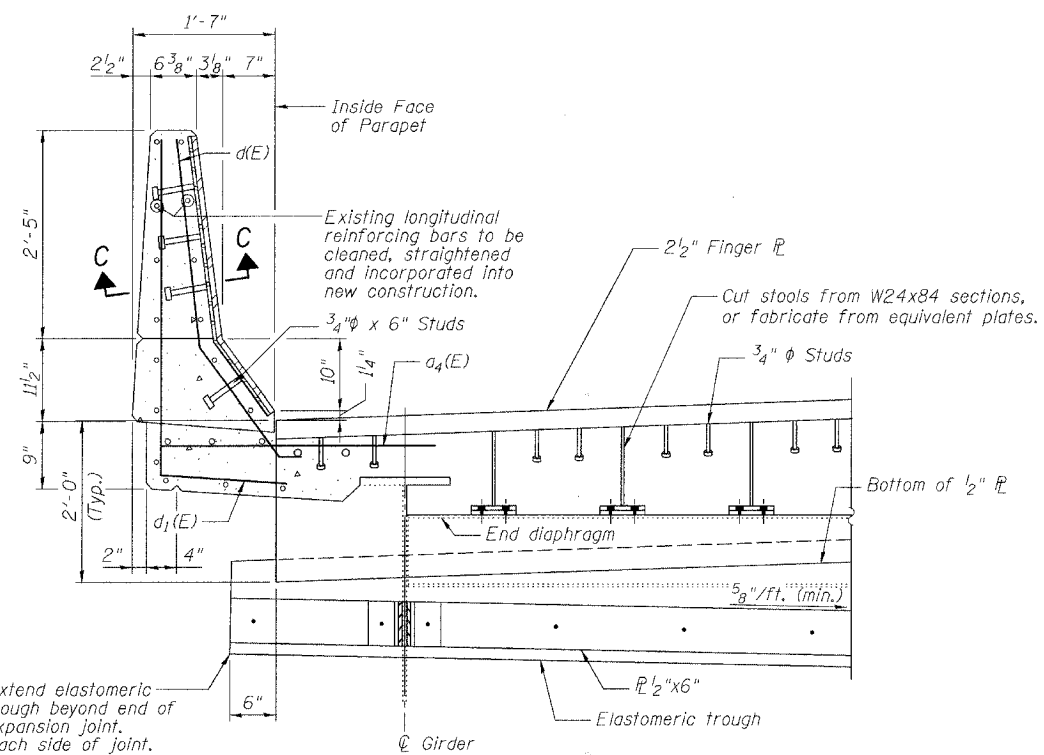
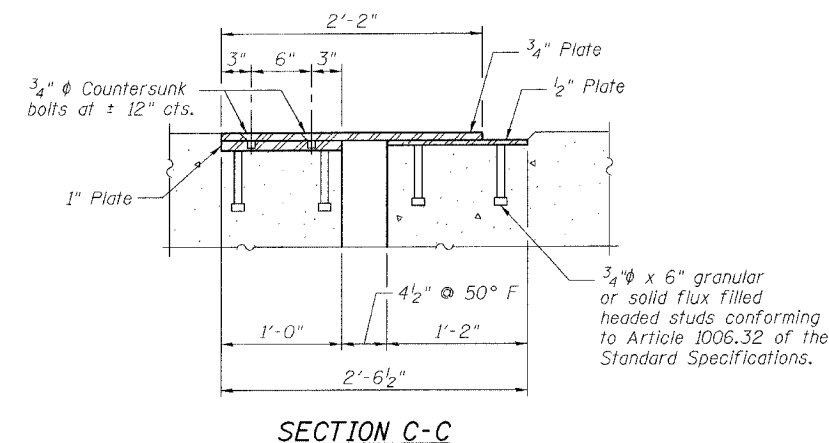
SHEET NO. 5
9 SHEETS



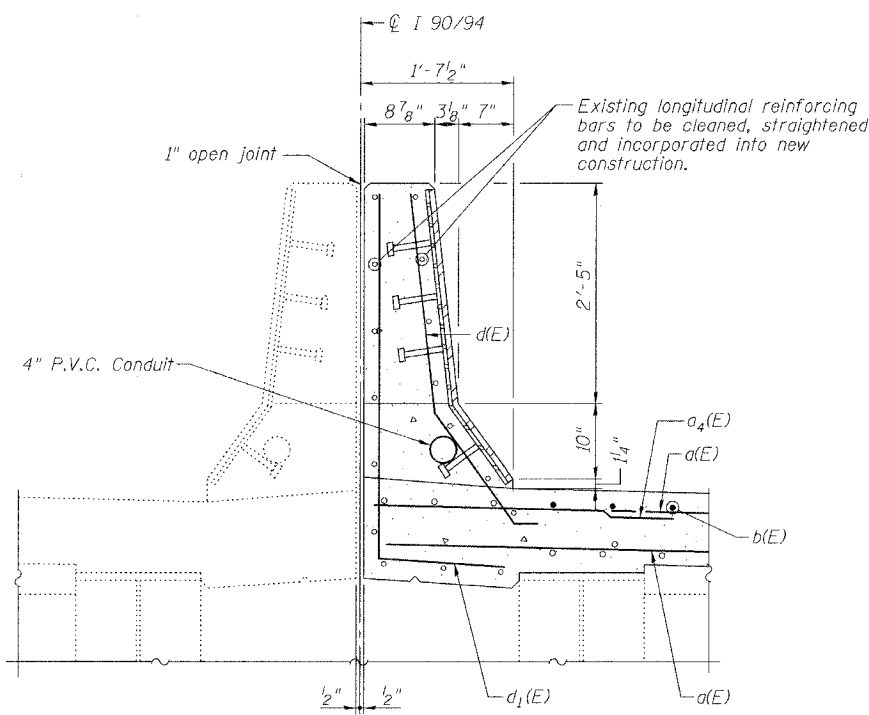
DETAIL AT N.B. FAI 90/94 &
RAMP C PARAPET - SPAN 1
(Dimensions at Rt. L's)



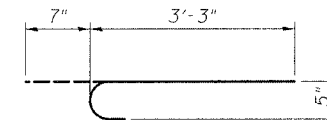
DETAIL AT N.B. FAI 90/94 &
RAMP E PARAPET - SPAN 3
(Dimensions at Rt. L's)



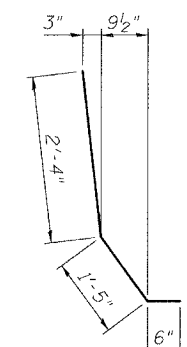
SECTION B-B
(For location of Section B-B, See Sheet 4 of 9)



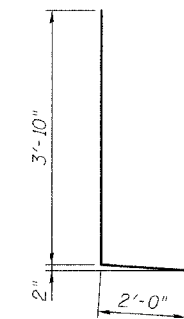
DETAIL AT MEDIAN PARAPET
(Looking North)



BAR b(E)



BAR d(E)



BAR d1(E)

BILL OF MATERIAL

Bar	No.	Size	Length	Shape
a(E)	24	#5	30'-9"	—
a1(E)	24	#5	27'-3"	—
a2(E)	24	#5	14'-6"	—
a3(E)	24	#5	17'-3"	—
a4(E)	24	#6	4'-6"	—
a5(E)	8	#6	5'-6"	—
b(E)	174	#5	3'-10"	⌋
d(E)	32	#5	4'-3"	⌋
d1(E)	30	#5	5'-10"	⌋
Reinforcement Bars, Epoxy Coated		Pound	3490	
Concrete Superstructure		Cu. Yd.	25.1	
Concrete Removal		Cu. Yd.	22.1	
Bar Splicers		Each	48	
Mechanical Splice		Each	174	

Reinforcing bars designated (E) shall be epoxy coated.

ILLINOIS DEPARTMENT OF TRANSPORTATION
PARAPET DETAILS

F.A.I. ROUTE 90/94 NORTHBOUND (DAN RYAN EXPRESSWAY)
OVER SOUTH BRANCH - CHICAGO RIVER
COOK COUNTY
S.N. 016-1113 - PIER 1

SCALE: VERT.
HORIZ.
DATE: 3/22/05

DRAWN BY: LANDREY
DESIGNED BY: SANFORD
CHECKED BY: -

GREENE & BRADFORD, INC.
OF SPRINGFIELD
COMPUTER FILE NO.
04286-W01-NB-PD
PROJECT 04286-W01
8/3/05-MML

REVISIONS	
NAME	DATE