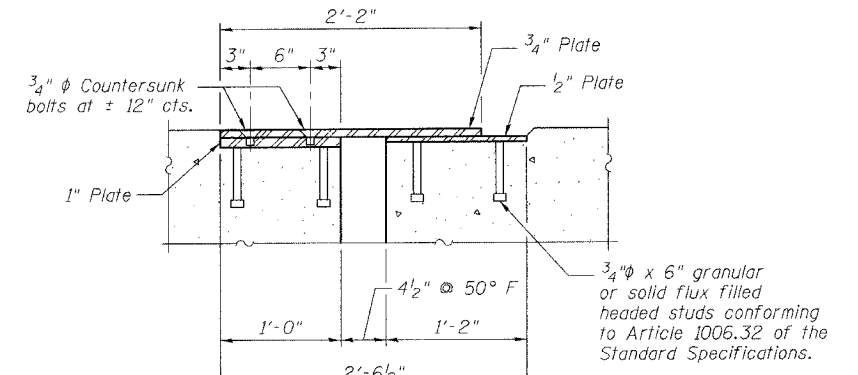


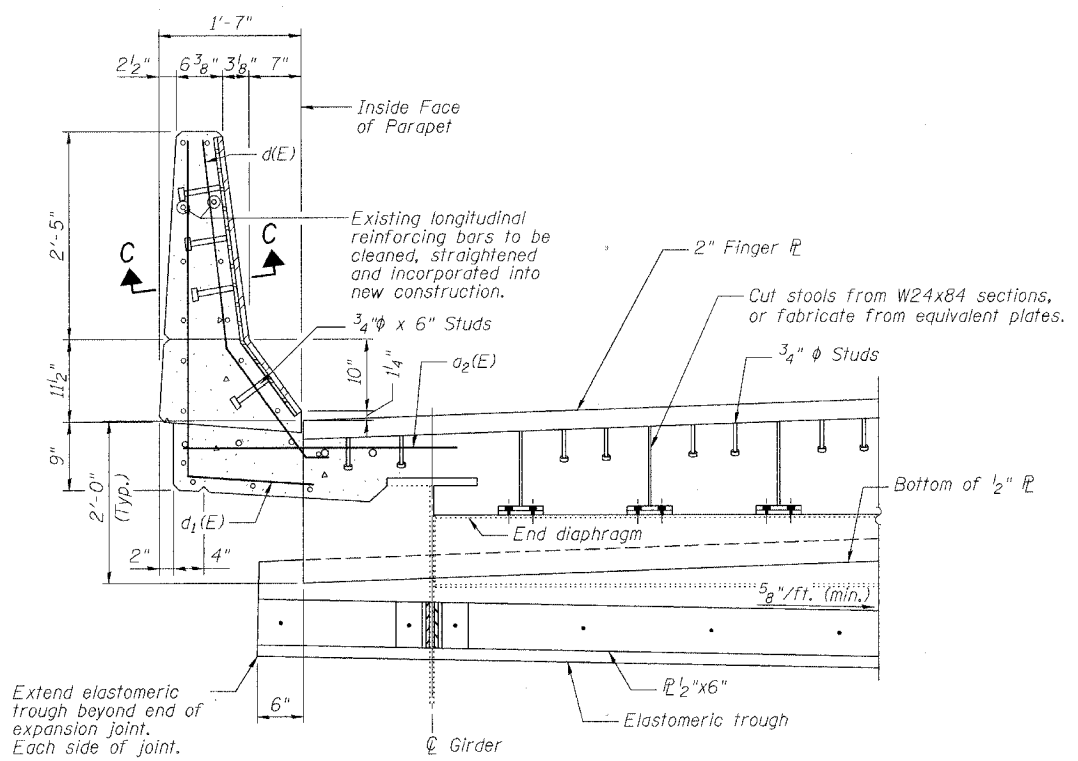
STATE OF ILLINOIS
DEPARTMENT OF TRANSPORTATION

ROUTE NO. FAI 90/94	SECTION #	COUNTY COOK	SHEET NO. 419	SHEET NO. 216	SHEET NO. 5 8 SHEETS
FED. ROAD DIST. NO.		ILLINOIS	FED. AID PROJECT		

* 2005 - 008F
Contract #62580

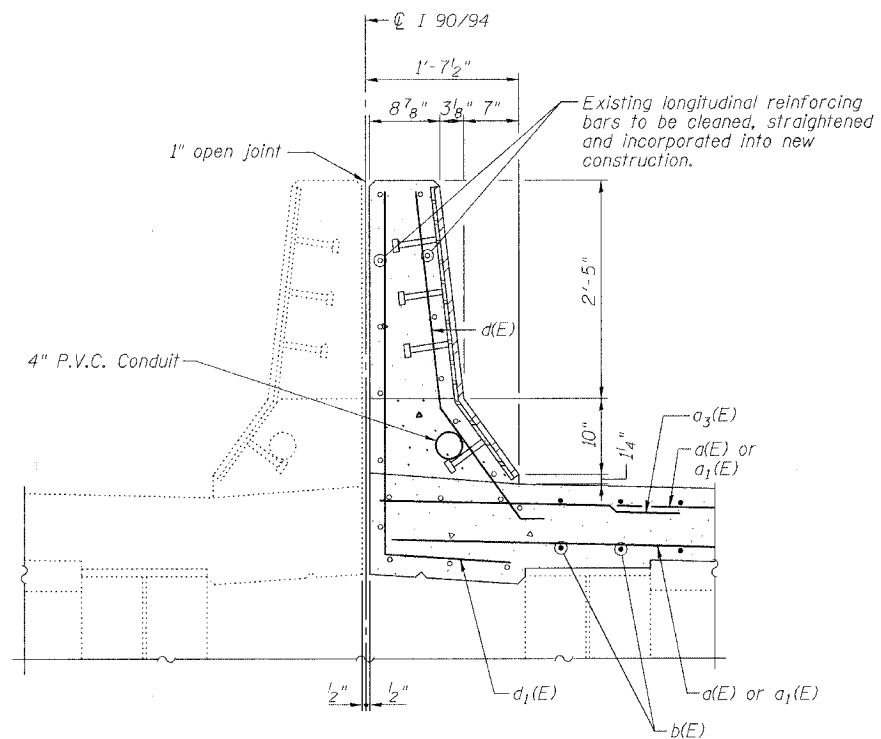


SECTION C-C



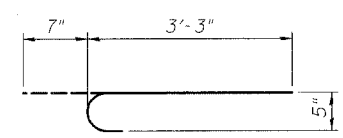
SECTION B-B

(For location of Section B-B, See Sheet 4 of 8)

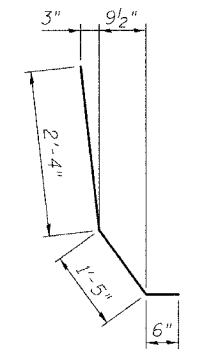


DETAIL AT MEDIAN PARAPET

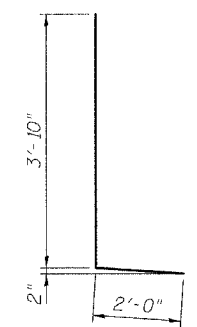
(Looking East)



BAR b(E)



BAR d(E)



BAR d1(E)

BILL OF MATERIAL

Bar	No.	Size	Length	Shape
a(E)	24	#5	34'-10"	—
a1(E)	24	#5	32'-4"	—
a2(E)	16	#6	4'-6"	—
b(E)	130	#5	3'-10"	┌
d(E)	16	#5	4'-3"	┌
d1(E)	20	#5	5'-10"	┌
Reinforcement Bars, Epoxy Coated			Pound	2500
Concrete Superstructure			Cu. Yd.	18.3
Concrete Removal			Cu. Yd.	15.3
Bar Splicers			Each	24
Mechanical Splice			Each	130

Reinforcing bars designated (E) shall be epoxy coated.
Bars indicated thus 1x2- #5 etc. indicates 1 line of bars with 2 lengths per line.

ILLINOIS DEPARTMENT OF TRANSPORTATION
PARAPET DETAILS

F.A.I. ROUTE 90/94 NORTHBOUND (DAN RYAN EXPRESSWAY)
OVER 28th ST. TO S. STEWART ST.
COOK COUNTY
S.N. 016-1117 - PIER 26

SCALE: VERT. _____
HORIZ. _____
DATE: 2/17/05

DRAWN BY: HEBERLING
DESIGNED BY: SANFORD
CHECKED BY: _____

GREENE & BRADFORD, INC.
OF SPRINGFIELD
REGISTERED PROFESSIONAL ENGINEERS
ILLINOIS LICENSE NO. 04286-W03-PD
PROJECT 04286-W03
8/3/05-MML

REVISIONS	
NAME	DATE

FILE NAME = \$FILES
PLOT DATE = 8/3/2005
PLOT TIME = 9:46:28 AM
OPERATOR = michellel