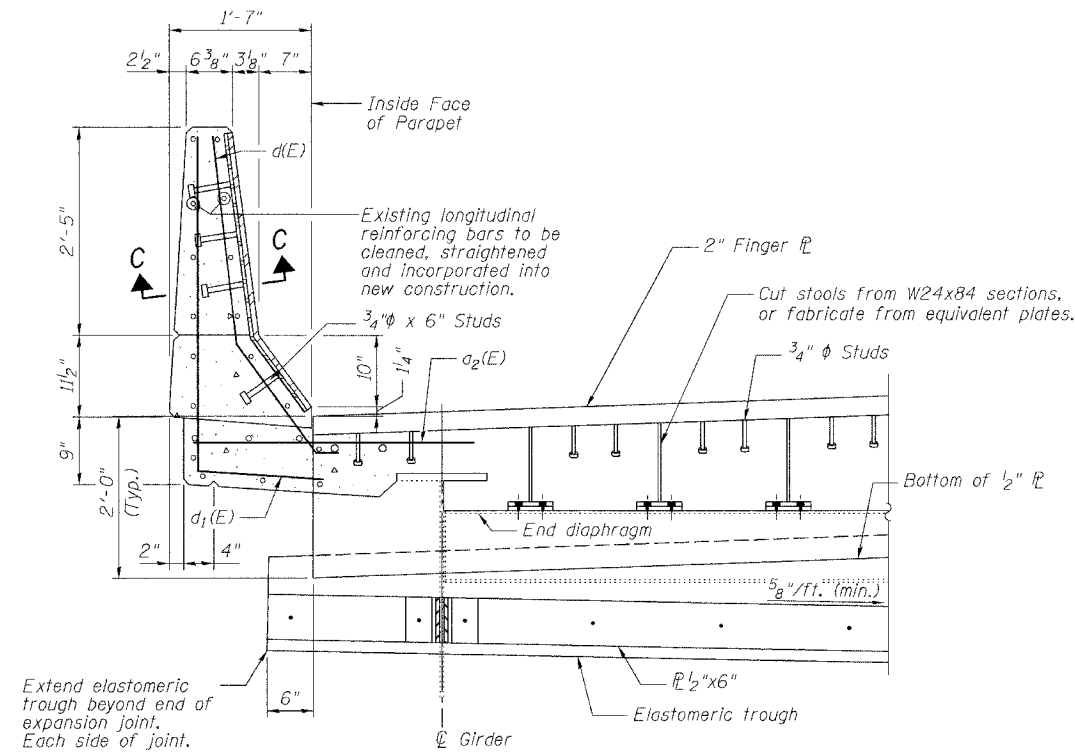


STATE OF ILLINOIS
DEPARTMENT OF TRANSPORTATION

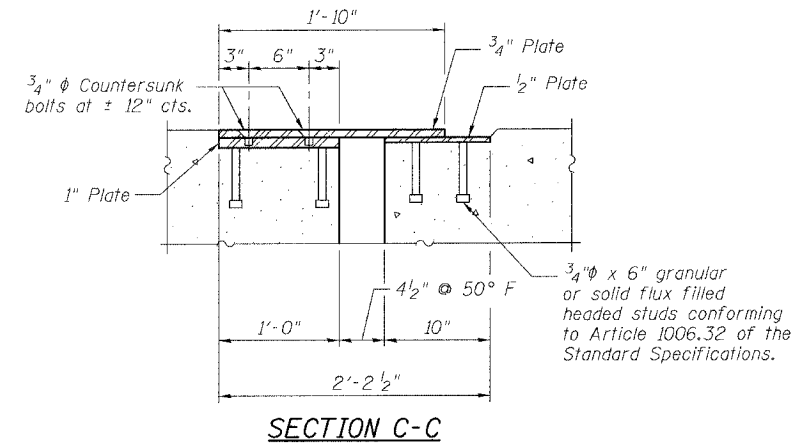
ROUTE NO.	SECTION	COUNTY	SHEETS	SHEET NO.
FAI 90/94		COOK	419	224
FED. ROAD DIST. NO.	ILLINOIS	FED. AID PROJECT		

* 2005 - 008F
Contract #62580

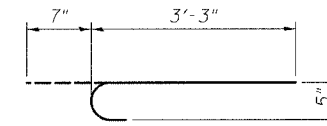


SECTION B-B

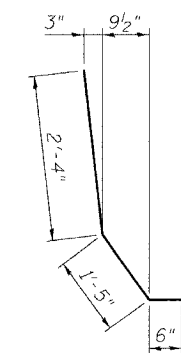
(For location of Section B-B, See Sheet 4 of 8)



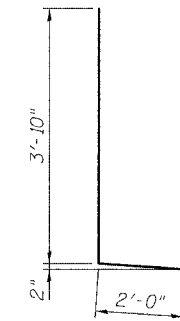
SECTION C-C



BAR b(E)



BAR d(E)



BAR d1(E)

BILL OF MATERIAL

Bar	No.	Size	Length	Shape	
d(E)	24	#5	18'-6"	—	
a1(E)	24	#5	20'-6"	—	
a2(E)	16	#6	4'-6"	—	
b(E)	80	#5	3'-10"	┌	
d(E)	16	#5	4'-3"	└	
d1(E)	20	#5	5'-10"	└	
Reinforcement Bars, Epoxy Coated				Pound	1600
Concrete Superstructure				Cu. Yd.	11.2
Concrete Removal				Cu. Yd.	9.4
Bar Splicers				Each	24
Mechanical Splice				Each	80

Reinforcing bars designated (E) shall be epoxy coated.

REVISIONS	
NAME	DATE

ILLINOIS DEPARTMENT OF TRANSPORTATION
PARAPET DETAILS
F.A.I. ROUTE 90/94 NORTHBOUND (DAN RYAN EXPRESSWAY)
OVER SOUTH BRANCH - CHICAGO RIVER
COOK COUNTY
S.N. 016-1113 - PIER C10

SCALE: VERT. _____
HORIZ. _____
DATE: 2/17/05

DRAWN BY: HEBERLING
DESIGNED BY: SANFORD
CHECKED BY: _____

GREENE & BRADFORD, INC.
OF SPRINGFIELD
CONSULTING ENGINEERS
AND ARCHITECTS
PROFESSIONAL ENGINEER NO. 062-0018
PROFESSIONAL ARCHITECT NO. 062-0018
1201 W. 48th St., Springfield, IL 62761-1000
TEL: 217-223-8844 FAX: 217-223-8877

COMPUTER FILE NO.
04286-W04-PD
PROJECT 04286-W04
8/3/05-MML

FILE NAME = \$FILES
PLOT DATE = 8/3/2005
PLOT TIME = 9:47:04 AM
OPERATOR = michellol