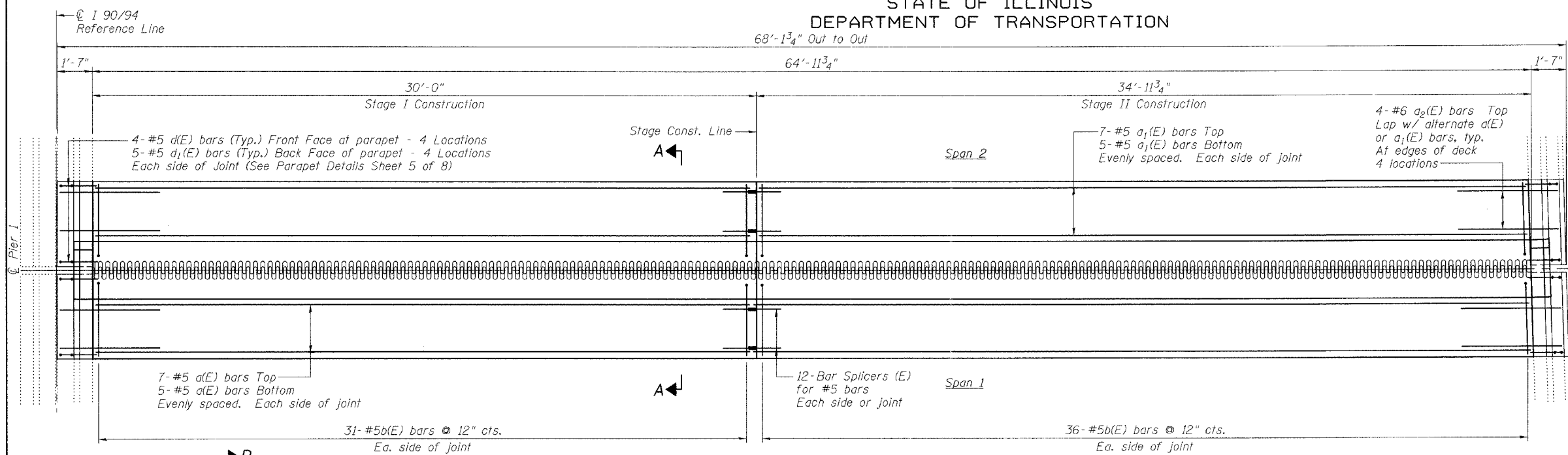


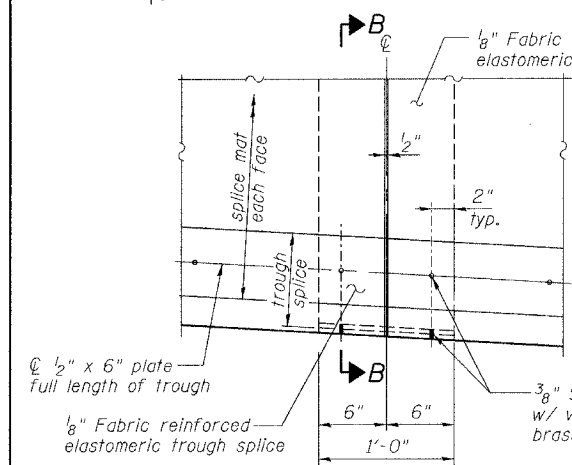
STATE OF ILLINOIS
DEPARTMENT OF TRANSPORTATION

ROUTE NO.	SECTION	COUNTY	DATE	SHEET NO.	SHEET NO. 3 8 SHEETS
FAI 90/94	*	COOK	4/11	230	
FED. ROAD DIST. NO.	ILLINOIS	FED. PROJ. NO.			

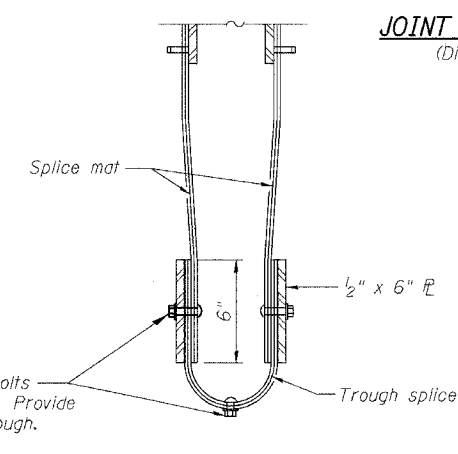
* 2005-008F
Contract #62580



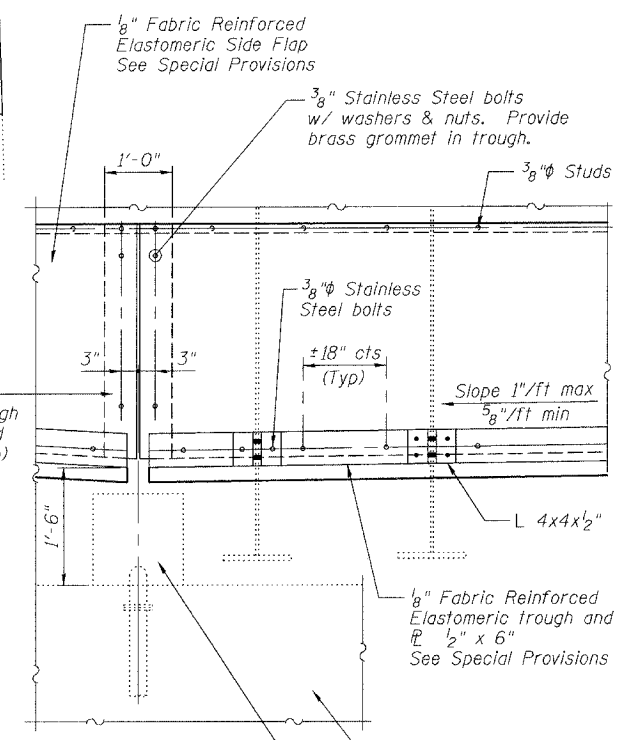
JOINT RECONSTRUCTION PLAN
(Dimensions are along C Pier)



TROUGH SPLICE DETAIL

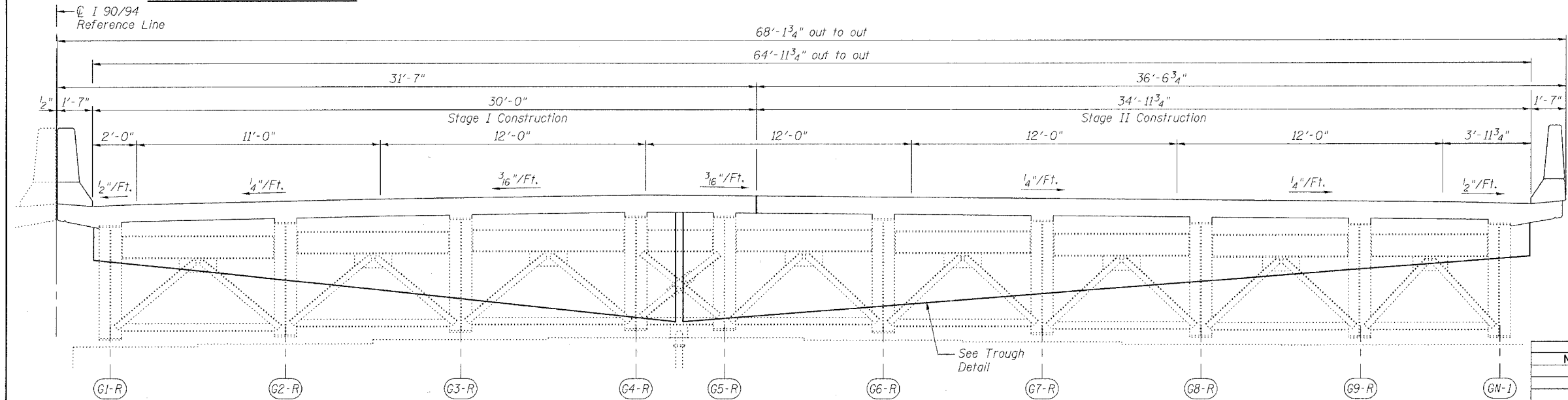


SECTION B-B



TROUGH DETAIL

- Notes:
- For Parapet Details and Superstructure Bill of Material, see Sheet 5 of 8.
 - For Section A-A, see Sheet 4 of 8.



ELEVATION (LOOKING NORTH)
(Dimensions are along C Pier)

REVISIONS	
NAME	DATE

ILLINOIS DEPARTMENT OF TRANSPORTATION
PIER 2 JOINT DETAILS
F.A.I. ROUTE 90/94 NORTHBOUND (DAN RYAN EXPRESSWAY)
16TH STREET TO 18TH STREET
COOK COUNTY
S.N. 016-1111 - PIER 2

SCALE: VERT. _____
HORIZ. _____
DATE: 3/28/05

DRAWN BY: LANDREY
DESIGNED BY: SANFORD
CHECKED BY: _____

GREENE & BRADFORD, INC.
OF SPRINGFIELD
CONSULTING ENGINEERS
PROFESSIONAL ENGINEERING CORPORATION
1217 W. 84th, Suite 100, Chicago, IL 60656

COMPUTER FILE NO.
04286-W05-NB-FJ1
PROJECT 04286-W05
6/28/05-MML

FILE NAME = \$FILE\$
PLOT SCALE = \$PLOTSCALE\$
PLOT DATE = 8/3/2005
PLOT OPERATOR = michellel