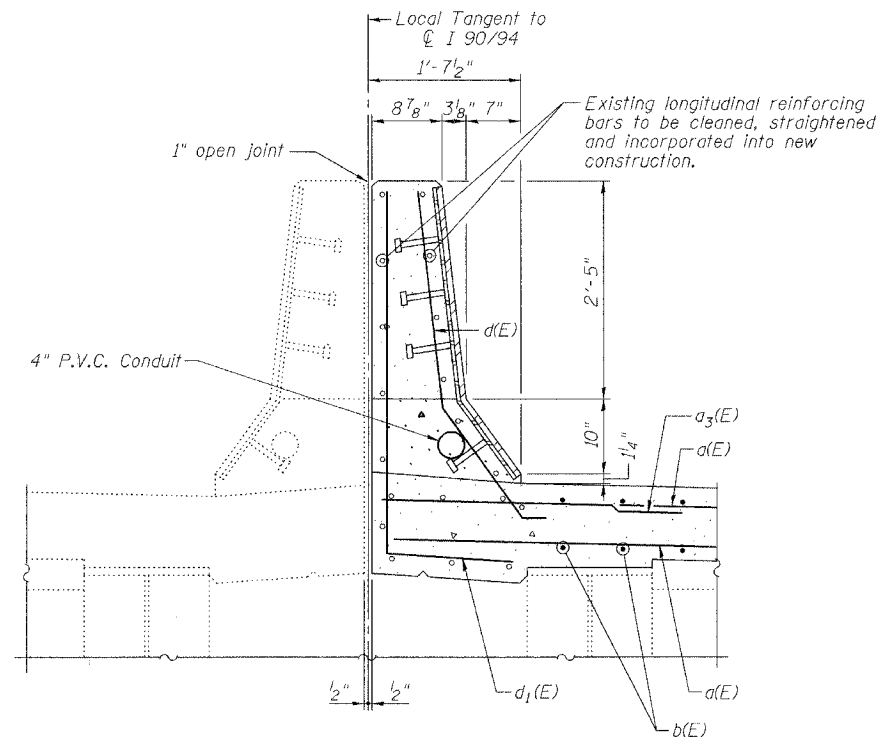


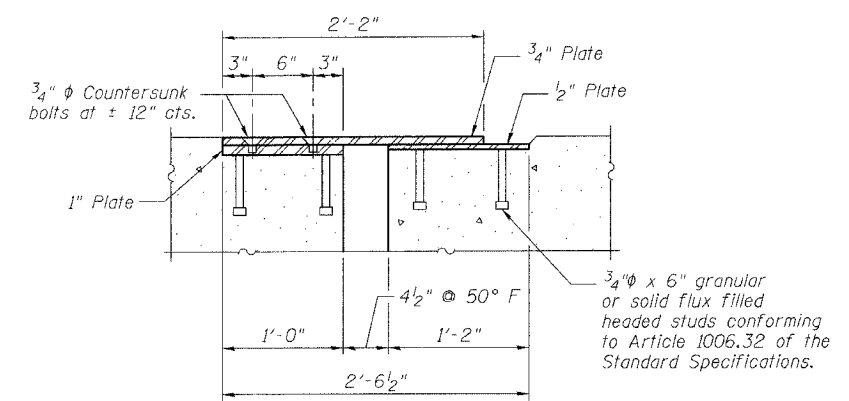
STATE OF ILLINOIS  
DEPARTMENT OF TRANSPORTATION

ROUTE NO.	SECTION	COUNTY	TOTAL SHEETS	SHEET NO.	SHEET NO. 5 8 SHEETS
FAI 90/94	*	COOK	48	232	
FED. ROAD DIST. NO.	ILLINOIS	FED. AID PROJECT			

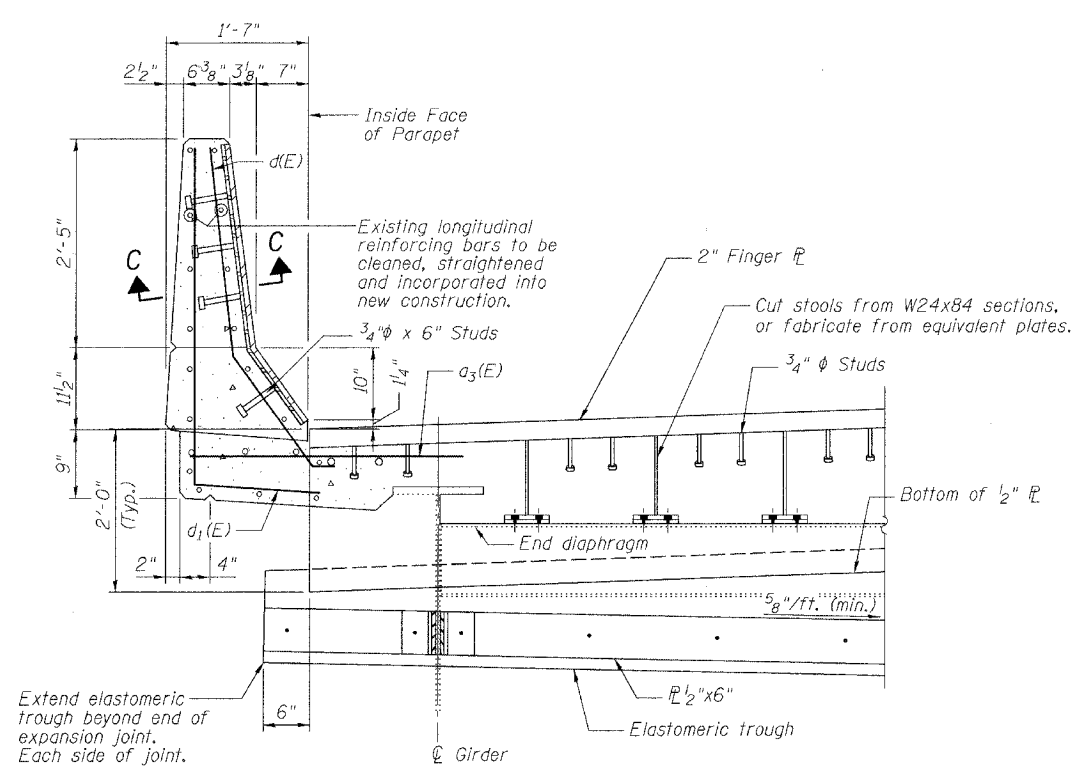
\* 2005-008F  
Contract #62580



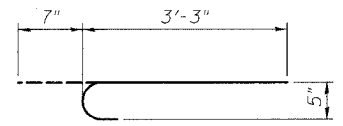
**DETAIL AT MEDIAN PARAPET**  
(Looking North)



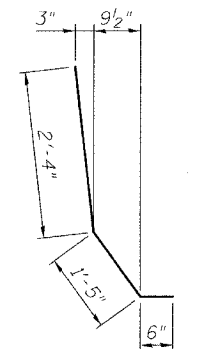
**SECTION C-C**



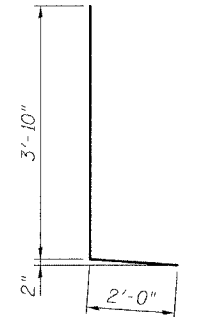
**SECTION B-B**  
(For location of Section B-B, See Sheet 4 of 8)



**BAR b(E)**



**BAR d(E)**



**BAR d1(E)**

**BILL OF MATERIAL**

Bar	No.	Size	Length	Shape
d(E)	24	#5	30'-6"	—
a1(E)	24	#5	35'-6"	—
a2(E)	16	#6	4'-6"	—
b(E)	134	#5	3'-10"	⌋
d(E)	16	#5	4'-3"	⌋
d1(E)	20	#5	5'-10"	⌋
Reinforcement Bars, Epoxy Coated			Pound	2490
Concrete Superstructure			Cu. Yd.	17.6
Concrete Removal			Cu. Yd.	14.7
Bar Splicers			Each	24
Mechanical Splice			Each	134

Reinforcing bars designated (E) shall be epoxy coated.

REVISIONS	
NAME	DATE

ILLINOIS DEPARTMENT OF TRANSPORTATION  
**PARAPET DETAILS**  
F.A.I. ROUTE 90/94 NORTHBOUND (DAN RYAN EXPRESSWAY)  
16TH STREET TO 18TH STREET  
COOK COUNTY  
S.N. 016-1111 - PIER 2

SCALE: VERT. \_\_\_\_\_  
HORIZ. \_\_\_\_\_  
DATE: 3/28/05

DRAWN BY: LANDREY  
DESIGNED BY: SANFORD  
CHECKED BY: \_\_\_\_\_

GREENE & BRADFORD, INC.  
OF SPRINGFIELD  
CONSULTING ENGINEERS  
REGISTERED PROFESSIONAL ENGINEERS  
PROFESSIONAL DESIGN FIRM NO. 044-0028  
PROFESSIONAL ENGINEERING CORPORATION  
021-191-0844, 219-782-2227, FAX: 219-782-2227

COMPUTER FILE NO.  
04286-W05-NB-PD  
PROJECT 04286-W05  
6/28/05-MML

FILE NAME = sfiles  
PLOT SCALE = splotter  
PLOT DATE = 8/3/2005  
PLOT TIME = 10:55:54 AM  
OPERATOR = mchrisb