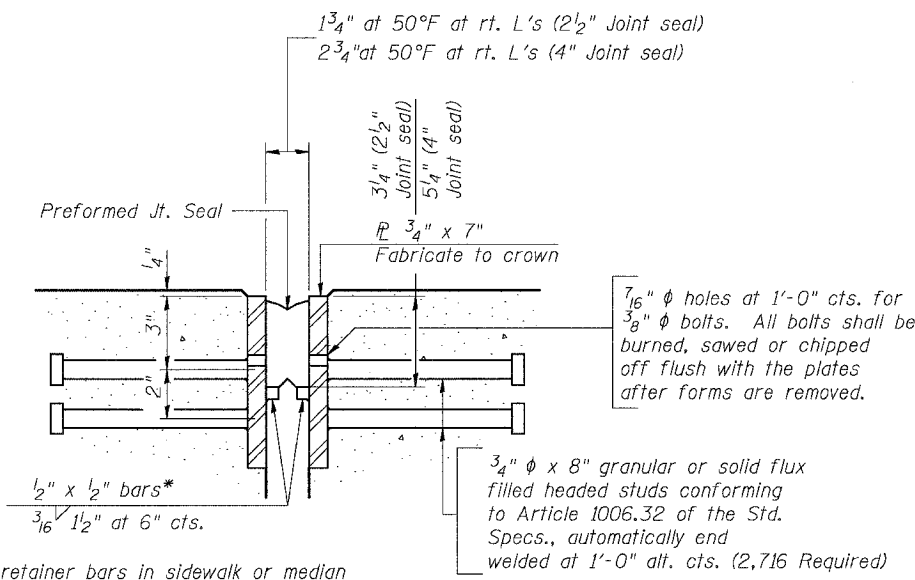
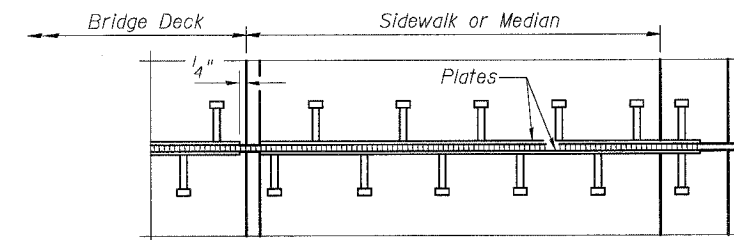


GENERAL NOTES

Furnish steel plates in segments of 20 feet maximum length. Maximum space between installed segments shall be 3/16". Seal space with silicone sealant suitable for structural steel.



Bridge Joint System (Expansion)		
Design Movement	Required Preformed Joint Seal Size	Required Strip Seal Rated movement
1"	2 1/2"	1"
1 5/8"	4"	2"

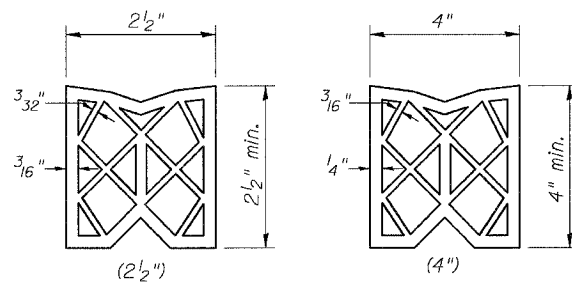


PLAN AT SIDEWALK OR MEDIAN

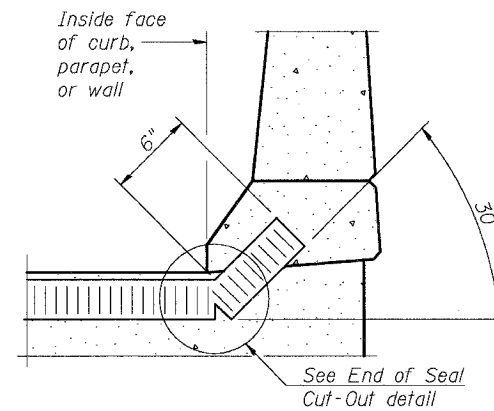
*Cut retainer bars in sidewalk or median 6" short of the sidewalk or median face.

SECTION THRU EXPANSION JOINT

(2 1/2" and 4" joint seals)

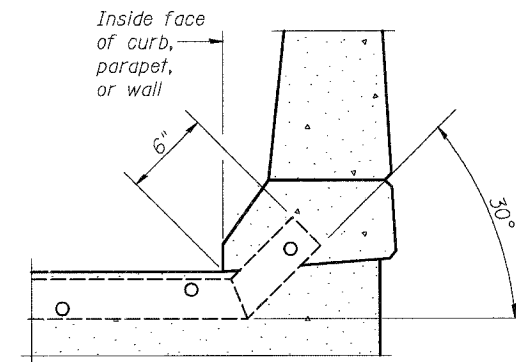


PREFORMED JOINT SEAL



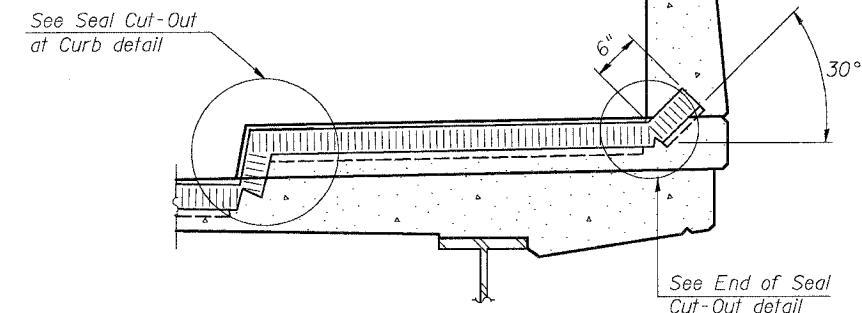
AT CURB, PARAPET, OR WALL

(Showing seal)



AT CURB, PARAPET, OR WALL

(Showing plate)

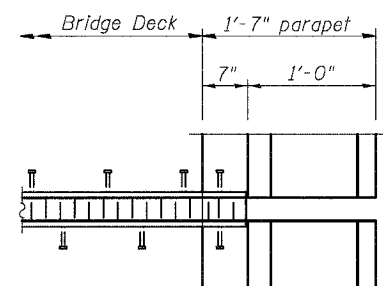


AT SIDEWALK OR MEDIAN**

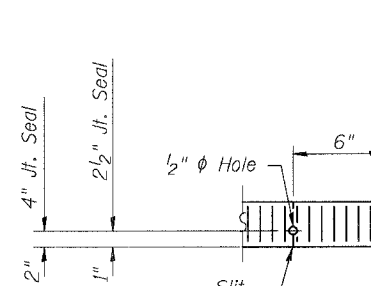
(Showing plate and seal)

** Shorter plates with a single row of studs at 12" centers may be necessary on medians which are shallower than 9". See manufacturer's recommendation.

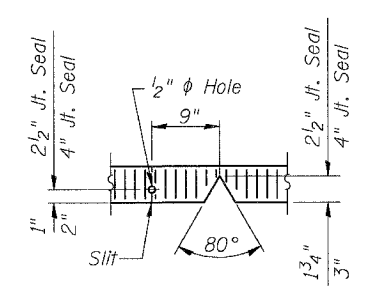
TYPICAL END TREATMENTS



PLAN AT PARAPET



END OF SEAL CUT-OUT



SEAL CUT-OUT AT CURB

BOWMAN, BARRETT & ASSOCIATES INC.
CONSULTING ENGINEERS
Chicago, Illinois
312.228.0100
www.bbainc.com

EJ-BJS 9-01-03

REVISIONS	
NAME	DATE

(Sheet 1 of 2)

ILLINOIS DEPARTMENT OF TRANSPORTATION
F.A.I. 94/90 (DAN RYAN EXPRESSWAY)
NB DAN RYAN ELEVATED BRIDGE
REPAIR FROM 15TH TO 28TH STREETS
BRIDGE JOINT SYSTEM - EXPANSION
(PREFORMED JOINT SEAL)

SCALE: NTS
DATE: 8/12/2005

DRAWN BY: BDC
CHECKED BY: BLU

9.35825 AM 8/17/2005