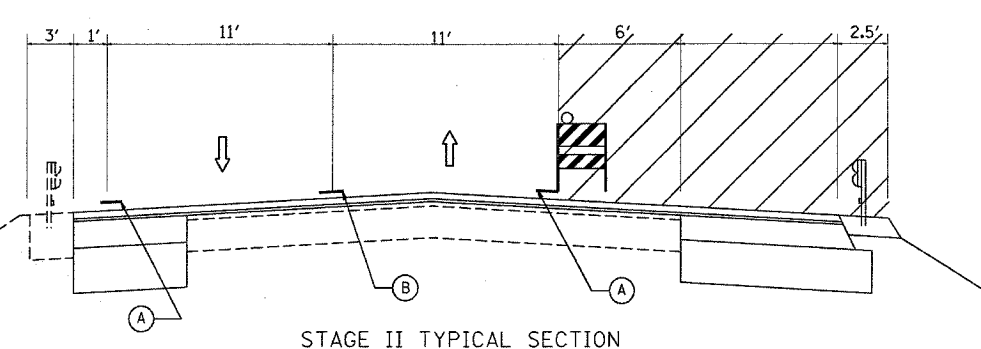
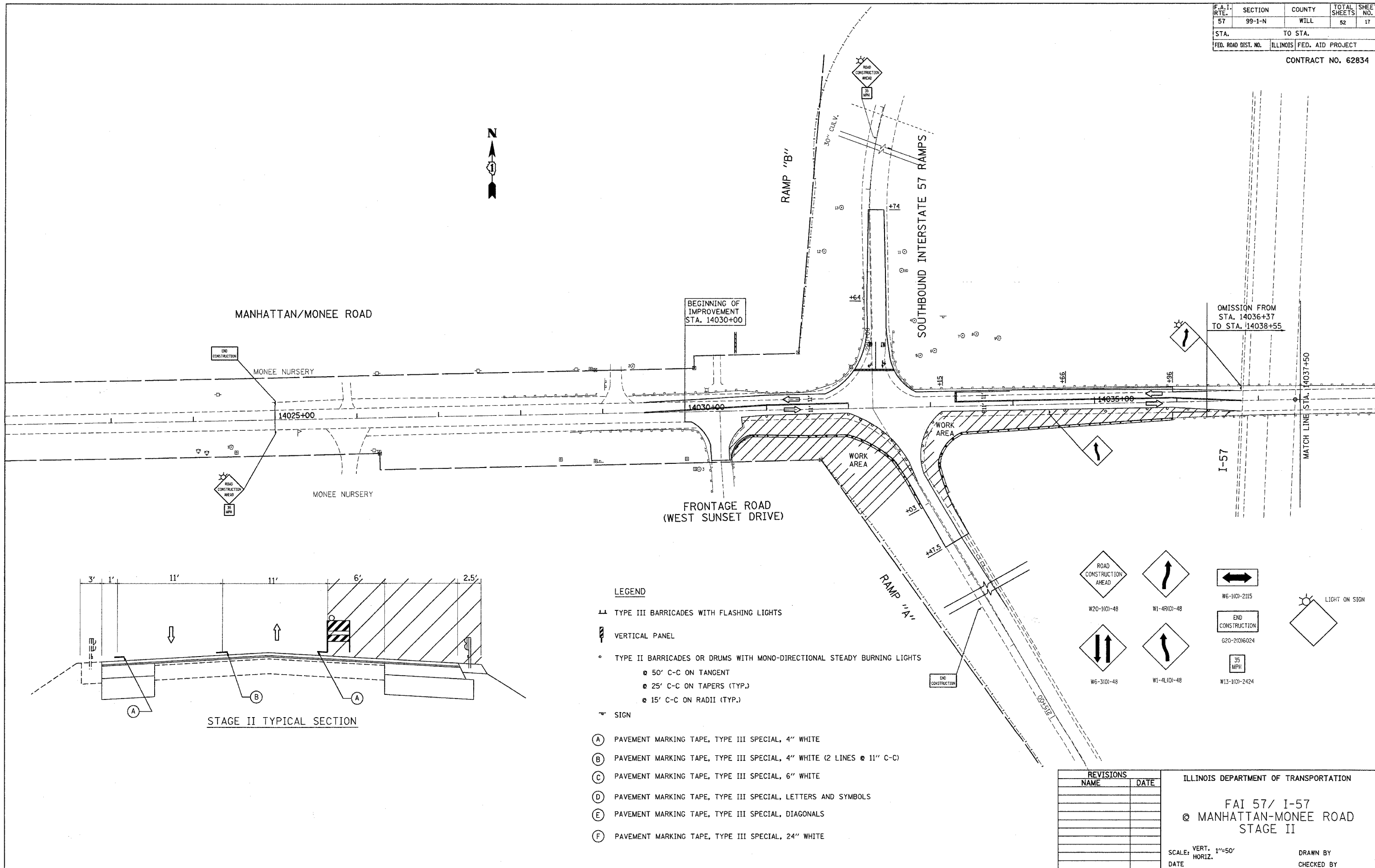


F.A.I. RTE.	SECTION	COUNTY	TOTAL SHEETS	SHEET NO.
57	99-1-N	WILL	52	17
STA.	TO STA.			
FED. ROAD DIST. NO.	ILLINOIS FED. AID PROJECT			

CONTRACT NO. 62834



- LEGEND**
- ▲ TYPE III BARRICADES WITH FLASHING LIGHTS
 - ▨ VERTICAL PANEL
 - TYPE II BARRICADES OR DRUMS WITH MONO-DIRECTIONAL STEADY BURNING LIGHTS
 - 50' C-C ON TANGENT
 - 25' C-C ON TAPERS (TYP.)
 - 15' C-C ON RADII (TYP.)
 - ▬ SIGN
- (A) PAVEMENT MARKING TAPE, TYPE III SPECIAL, 4" WHITE
 - (B) PAVEMENT MARKING TAPE, TYPE III SPECIAL, 4" WHITE (2 LINES @ 11" C-C)
 - (C) PAVEMENT MARKING TAPE, TYPE III SPECIAL, 6" WHITE
 - (D) PAVEMENT MARKING TAPE, TYPE III SPECIAL, LETTERS AND SYMBOLS
 - (E) PAVEMENT MARKING TAPE, TYPE III SPECIAL, DIAGONALS
 - (F) PAVEMENT MARKING TAPE, TYPE III SPECIAL, 24" WHITE

TRAFFIC SIGN LEGEND:

- ROAD CONSTRUCTION AHEAD (W20-1101-48)
- ROAD CONSTRUCTION AHEAD (W6-1101-2115)
- RIGHT TURN (W1-4R101-48)
- LEFT TURN (W1-4L101-48)
- TRUCKS AND TRAILERS (W6-3101-48)
- TRUCKS AND TRAILERS (W1-4L101-48)
- END CONSTRUCTION (G20-21016024)
- 35 MPH (W13-1101-2424)
- LIGHT ON SIGN

REVISIONS	
NAME	DATE

ILLINOIS DEPARTMENT OF TRANSPORTATION

FAI 57/ I-57
 @ MANHATTAN-MONEE ROAD
 STAGE II

SCALE: VERT. 1"=50'
 HORIZ. 1"=50'

DATE _____ DRAWN BY _____
 CHECKED BY _____

PLOT DATE = 9/28/2005
 PLOT SCALE = 1/8"=1'-0"
 PLOT REFERENCE = BREF#