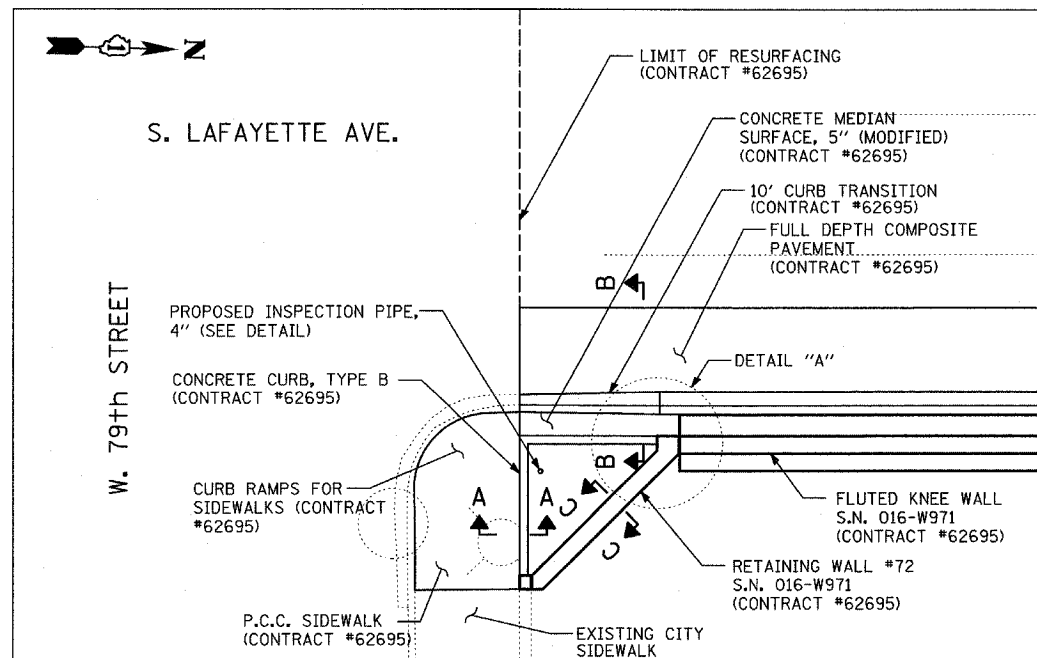
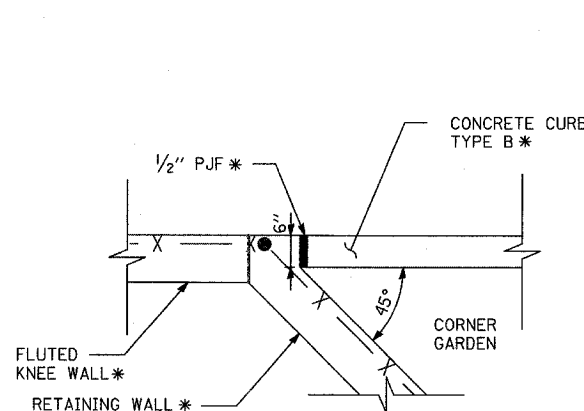


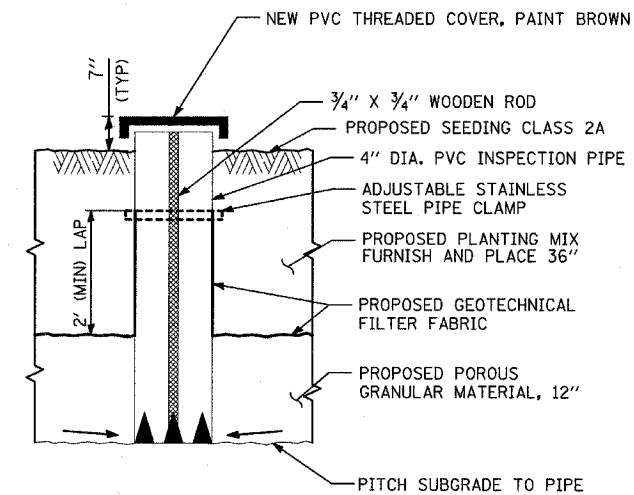
F.A.I. RTE.	SECTION	COUNTY	TOTAL SHEETS	SHEET NO.
94		COOK	30	5
STA. 1200+00.00		TO STA. 1330+00.00		
FED. ROAD DIST. NO.	ILLINOIS	FED. AID PROJECT		
(1516.1, 1717 & 1818) I-4		6293		



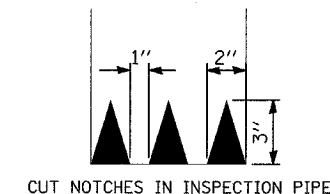
CORNER GARDEN ALONG LAFAYETTE AVENUE AT 79th STREET



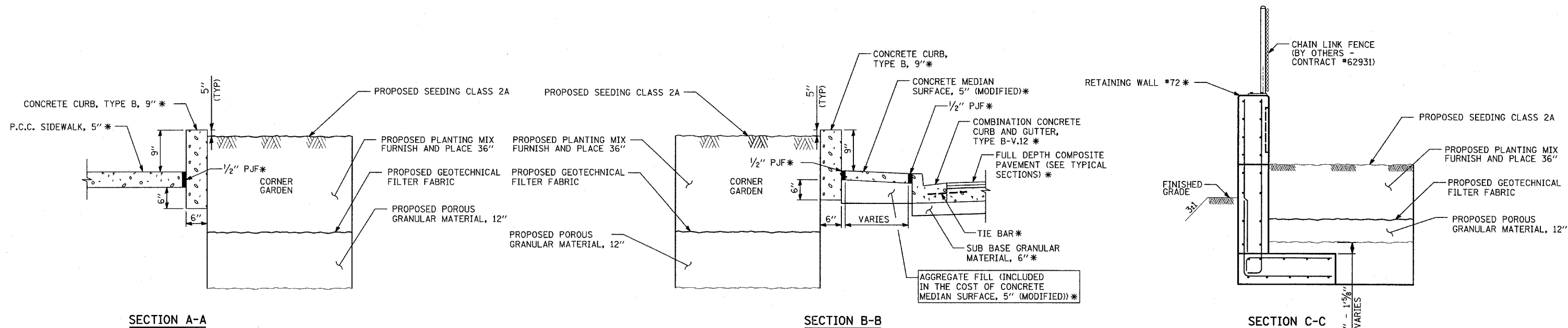
DETAIL A



INSPECTION PIPE, 4"



DRAIN SLEEVE ELEVATION



NOTE:

* - ITEMS PROVIDED BY OTHERS - CONTRACT #62695.

REVISIONS	
NAME	DATE

ILLINOIS DEPARTMENT OF TRANSPORTATION
F.A.I. 94 (DAN RYAN EXPRESSWAY)
CORNER GARDEN DETAIL
79th STREET AND LAFAYETTE AVENUE

SCALE: NOT TO SCALE DRAWN BY: JDF
DATE: SEPTEMBER 2, 2005 CHECKED BY: RTM