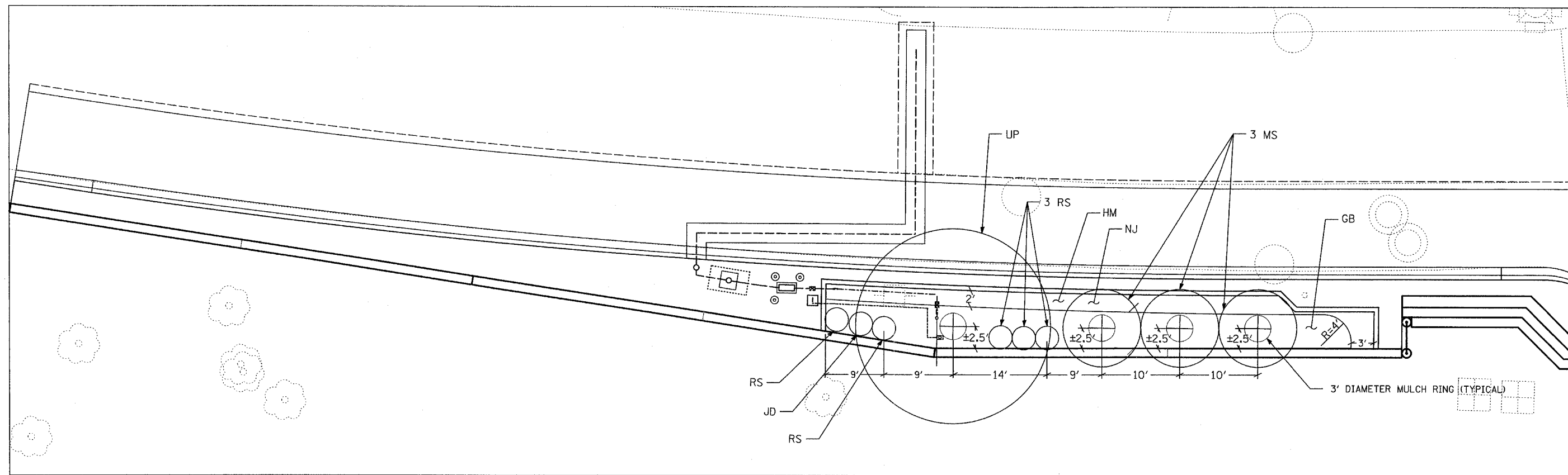


S. LAFAYETTE AVE.



**PLANTING BED ALONG
LAFAYETTE AVENUE SOUTH OF 95th STREET**

SCHEDULE OF LANDSCAPE ITEMS

KEY	PAY ITEM DESCRIPTION	ITEM DESCRIPTION	COMMON NAME	SPACING	SIZE	UNIT	TOTAL
UP	TREE	ULMUS X 'PATRIOT'	PATRIOT ELM	VARIABLES - SEE PLAN	3" CALIPER	EACH	1
MS	TREE	MALUS 'SUTYZAM'	SUGAR TYME CRABAPPLE	VARIABLES - SEE PLAN	2" CALIPER	EACH	3
JD	SHRUB	ILEX VERTICILLATA 'JIM DANDY'	JIM DANDY WINTERBERRY	3' O.C.	24" HEIGHT	EACH	1
RS	SHRUB	ILEX VERTICILLATA 'RED SPRITE'	RED SPRITE DRAWF WINTERBERRY	3' O.C.	24" HEIGHT	EACH	5
GB	PERENNIAL PLANTS, GALLON POTS	GERANIUM 'BROOKSIDE'	BROOKSIDE GERANIUM	18" O.C. STAGGERED	1 - GALLON	UNIT	3.20
HM	PERENNIAL PLANTS, GALLON POTS	HERMERCALLIS 'PARDON ME'	PARDON ME DAYLILY	12" O.C. STAGGERED	1 - GALLON	UNIT	2.06
HM	PERENNIAL PLANTS, GALLON POTS	HERMERCALLIS 'STELLA DE ORO'	STELLA DE ORO DAYLILY	12" O.C. STAGGERED	1 - GALLON	UNIT	2.06
NJ	PERENNIAL PLANTS, NARCISSUS	NARCISSUS 'JETFIRE'	JETFIRE DAFFODIL	6 BULBS PER SF	TOPSIZE	UNIT	24.75

NOTES:

CONTACT THE ROADSIDE DEVELOPMENT UNIT
AT (847)-705-4171, AT LEAST 72 HOURS PRIOR
TO VERIFY THE LAYOUT.

SEE BULB DETAIL (SHEET 16).

SEE PERENNIAL DETAIL (SHEET 16).

TYLIN INTERNATIONAL

REVISIONS	
NAME	DATE

ILLINOIS DEPARTMENT OF TRANSPORTATION
F.A.I. 94 (DAN RYAN EXPRESSWAY)
**PLANTING BED
LAFAYETTE AVENUE SOUTH OF 95th STREET
SCHEDULE OF LANDSCAPE ITEMS**

SCALE: N.T.S. DRAWN BY: JDF
DATE: SEPTEMBER 2, 2005 CHECKED BY: TGB