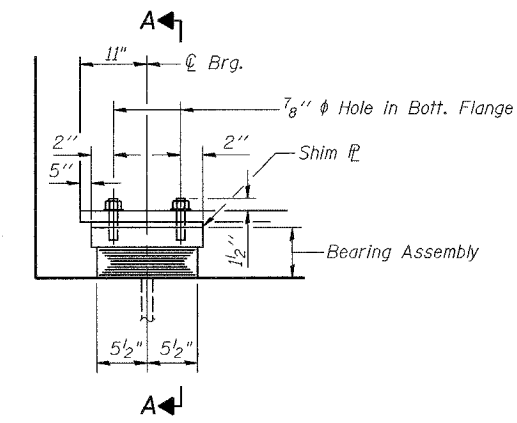


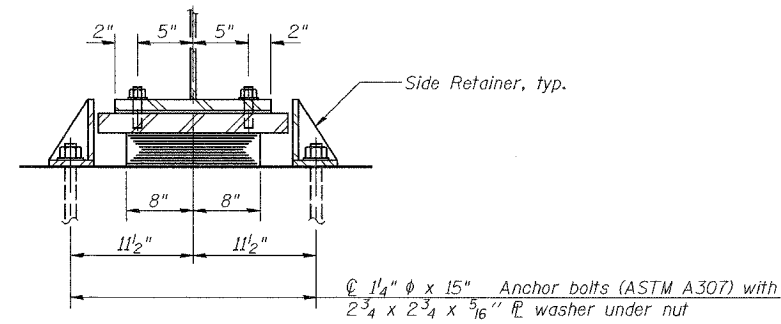
STATE OF ILLINOIS
DEPARTMENT OF TRANSPORTATION

ROUTE NO.	SECTION	COUNTY	SHEET NO.	SHEET
FAU 3578	1327 F	COOK	16	12
FED. ROAD DIST. NO. 7	ILLINOIS	FED. AID PROJECT		

SHEET NO. 10
14 SHEETS

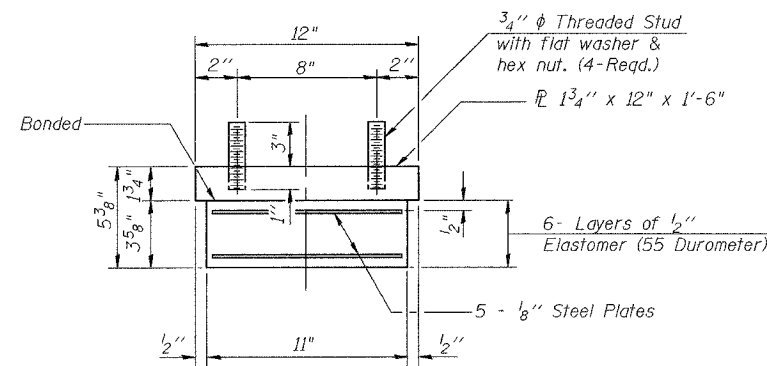


ELEVATION AT ABUT.



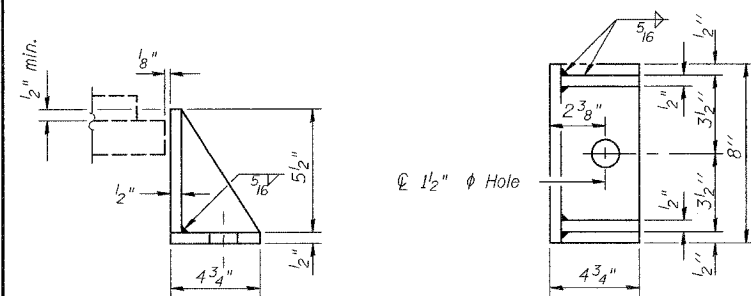
SECTION A-A

TYPE I ELASTOMERIC EXP. BRG.



BEARING ASSEMBLY

Note:
Shim plates shall not be placed under Bearing Assembly.



SIDE RETAINER

Equivalent rolled angle with stiffeners will be allowed in lieu of welded plates. Weight included with Structural Steel.

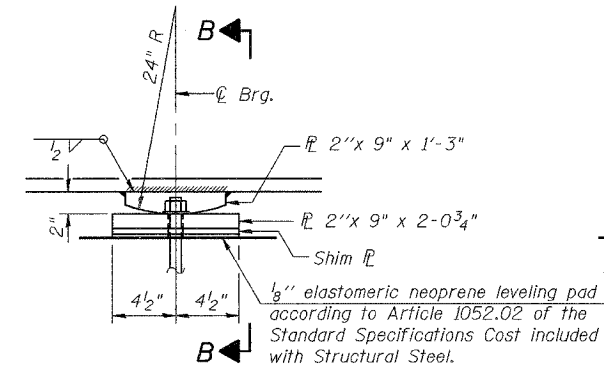
DESIGNED	JJI
CHECKED	SRT
DRAWN	MD
CHECKED	SRT

B Bollinger, Lach & Associates, Inc.

I-2-E1

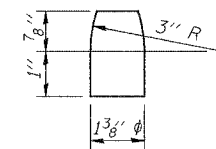
10-22-04

Notes:
Anchor bolts at fixed bearings may be built into the masonry.
See sheet 11 for Anchor Bolt Installation.
Structural steel for bearing plates shall conform to the requirements of AASTHO M270 Gr. 50.

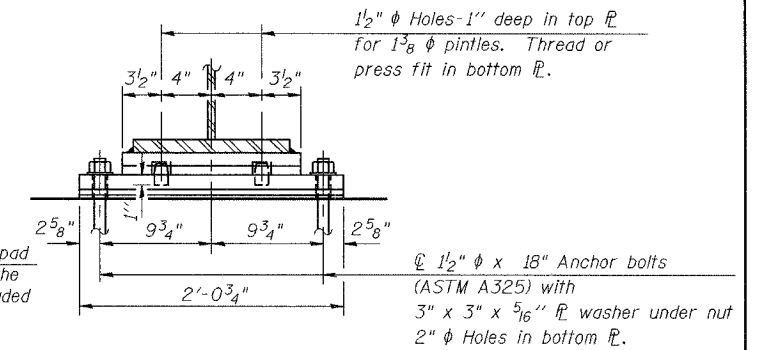


ELEVATION AT PIER

FIXED BEARING



PINTLE
M270 Gr. 50



SECTION B-B

SHIM PLATES

Location	Girder						
	1	2	3	4	5	6	7
West Abutment	-	-	-	-	-	-	1 1/16"
Pier 1	-	-	-	-	-	-	-
East Abutment	-	-	-	-	-	-	-

Weight included with Structural Steel

BILL OF MATERIAL

Item	Unit	Total
Elastomeric Bearing Assembly Type I	Each	14

BEARINGS

IL 7 (SOUTHWEST HIGHWAY) OVER
US 45 (LA GRANGE ROAD)
F.A.U. ROUTE 3578 SECTION 1327F
COOK COUNTY
STA. 1516+85.79
STRUCTURE NUMBER 016-2847

ANCHOR BOLTS
NOT PART OF THIS CONTRACT