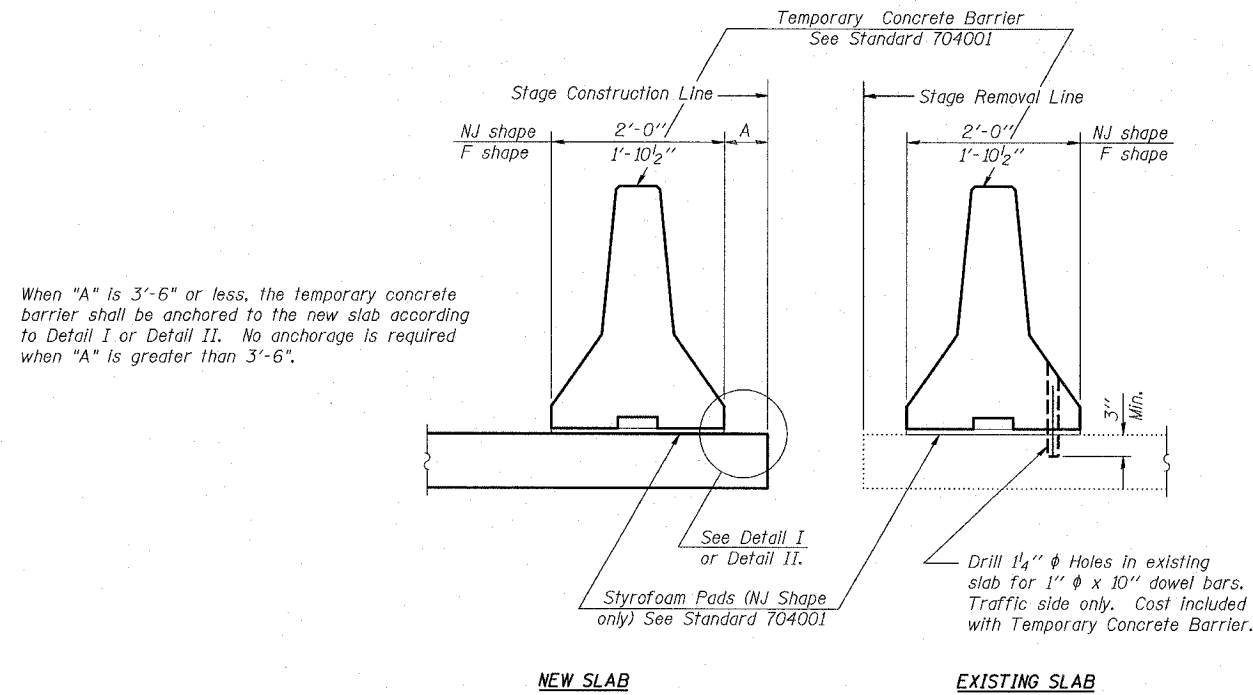


STATE OF ILLINOIS
DEPARTMENT OF TRANSPORTATION

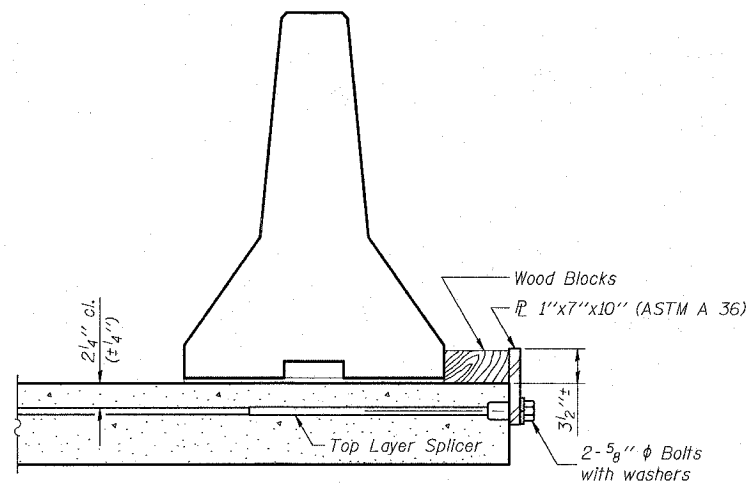
ROUTE NO.	SECTION	COUNTY	TOTAL SHEETS	SHEET NO.
S.B.L. F.A. 646	(102) BR-3	Whiteside	57	15
FED. ROAD DIST. NO. 7 ILLINOIS FED. AID PROJECT-				

SHEET NO. 3
24 SHEETS

CONTRACT NO. 64426

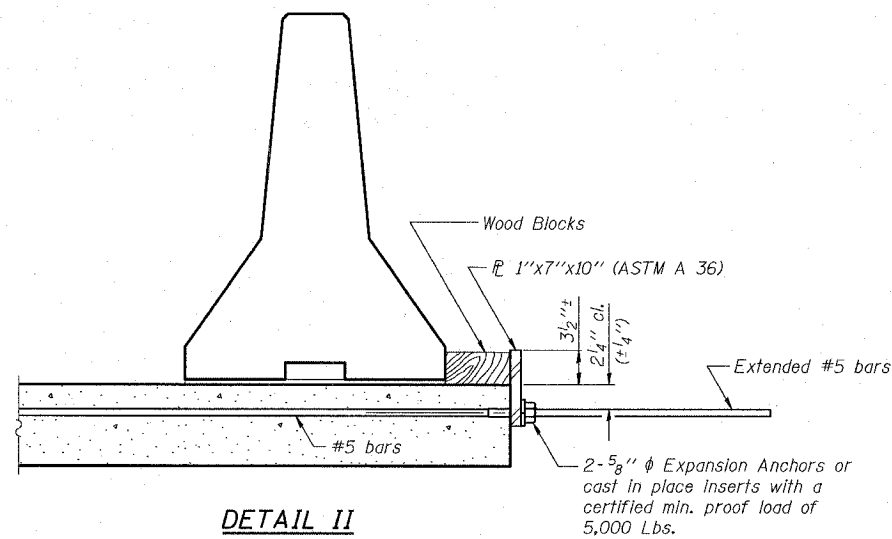


SECTIONS THRU SLAB



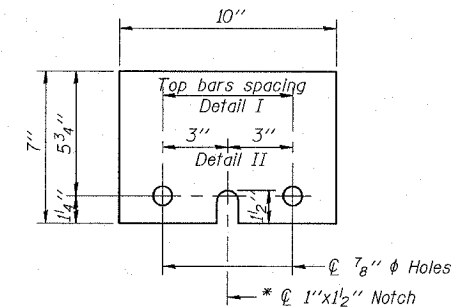
DETAIL I

The 1" x 7" x 10" Plate shall not be removed until Stage II Construction forms and reinforcement bars are in place.



DETAIL II

The 1" x 7" x 10" Plate shall not be removed until Stage II Construction forms and all reinforcement bars are in place and the concrete is ready to be placed.



1" x 7" x 10"

* Required only with Detail II

TEMPORARY CONCRETE BARRIER
IL RTE 40 OVER WINNEBAGO DITCH
F.A.P. 646 SECTION (102)BR-3
WHITESIDE COUNTY
STATION 558+38
S.N. 098-0109

DESIGNED	DDB	FILE NUMBER	136.110
CHECKED	AMP	DATE	Aug. 2005
DRAWN	JDB		
CHECKED	DDB		

RANDOLPH & ASSOCIATES, INC.
111 N. FORT PARKWAY, PEORIA, IL 61654-2124
TEL: 309-691-1100 FAX: 309-691-1100
WWW.RANDOLPHASSOCIATES.COM
CONSULTING ENGINEERS - LAND SURVEYORS

R:\Projects\0136\0136-110 Winn ph 1\br fdge planse\03 Temp Concrete Barrier.dgn

9:39:57 AM

8/8/2005