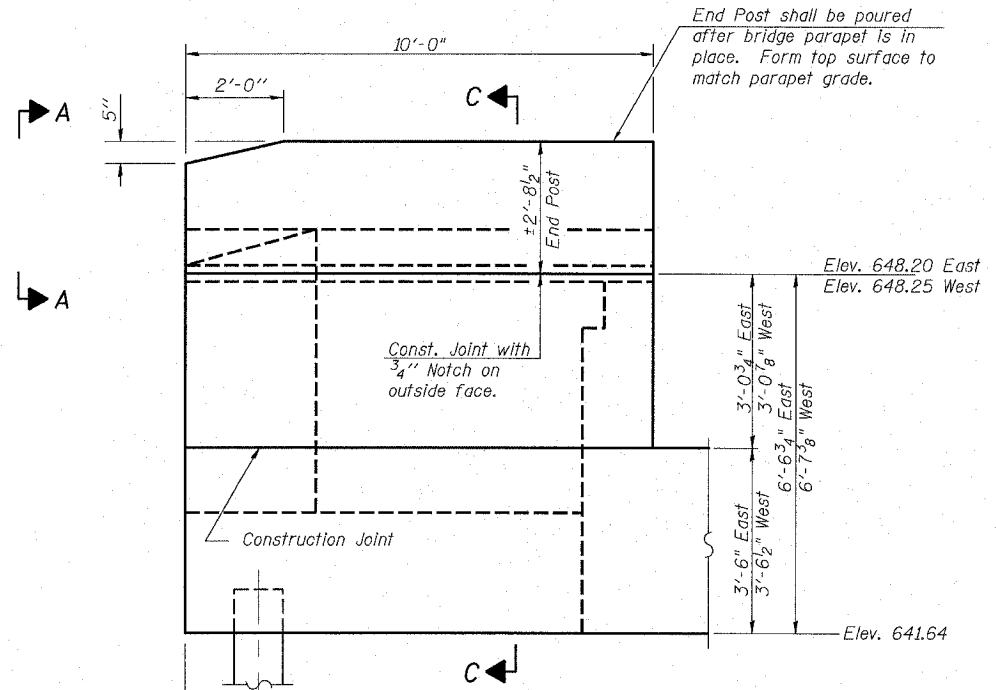


STATE OF ILLINOIS
DEPARTMENT OF TRANSPORTATION

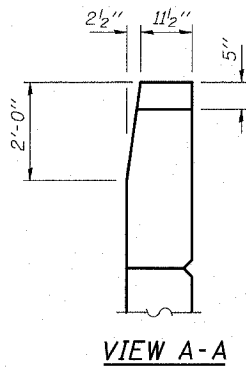
ROUTE NO.	SECTION	COUNTY	TOTAL SHEETS	SHEET NO.
S. B. I. F. A. 646	(102) BR-3	Whiteside	57	26
FED. ROAD DIST. NO. 7		ILLINOIS FED. AID PROJECT		

CONTRACT NO. 64426

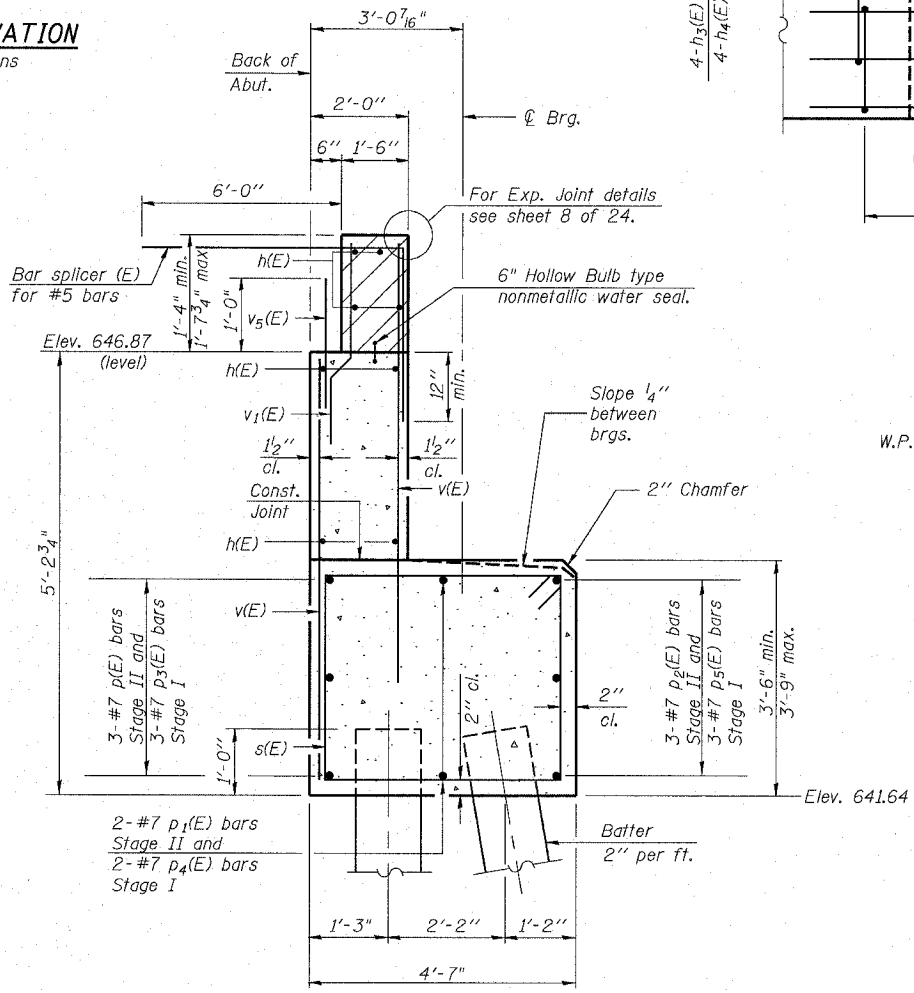
SHEET NO. 14
24 SHEETS



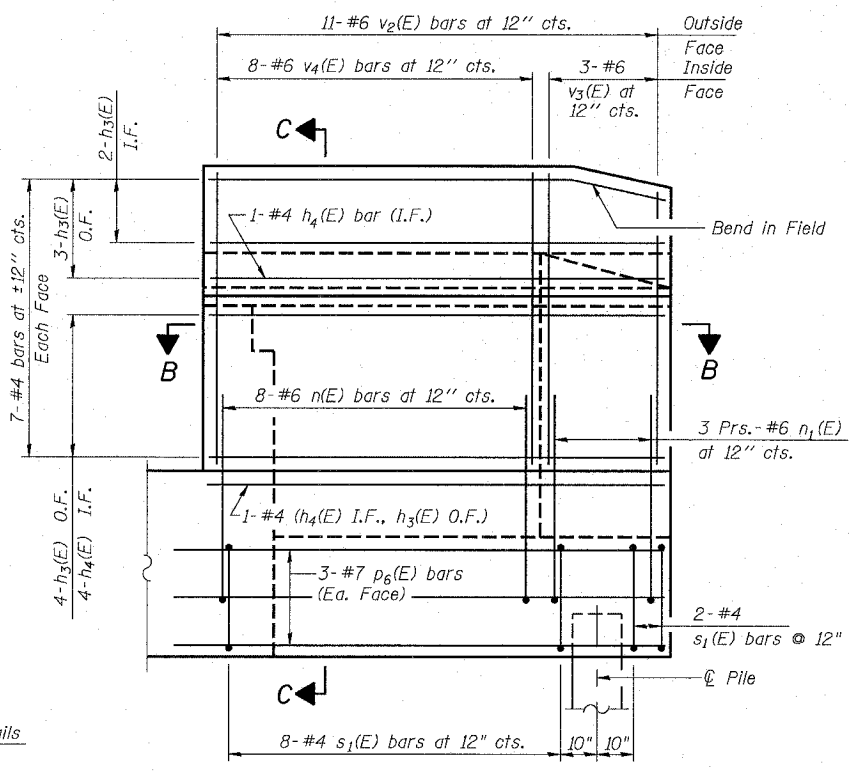
WING WALL ELEVATION
Showing Dimensions



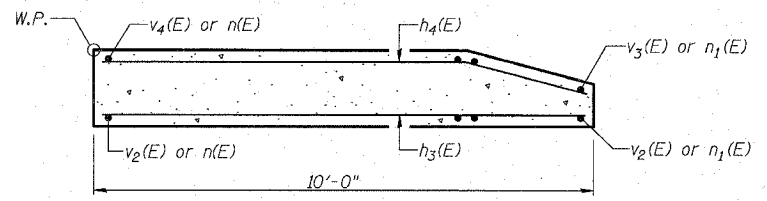
VIEW A-A



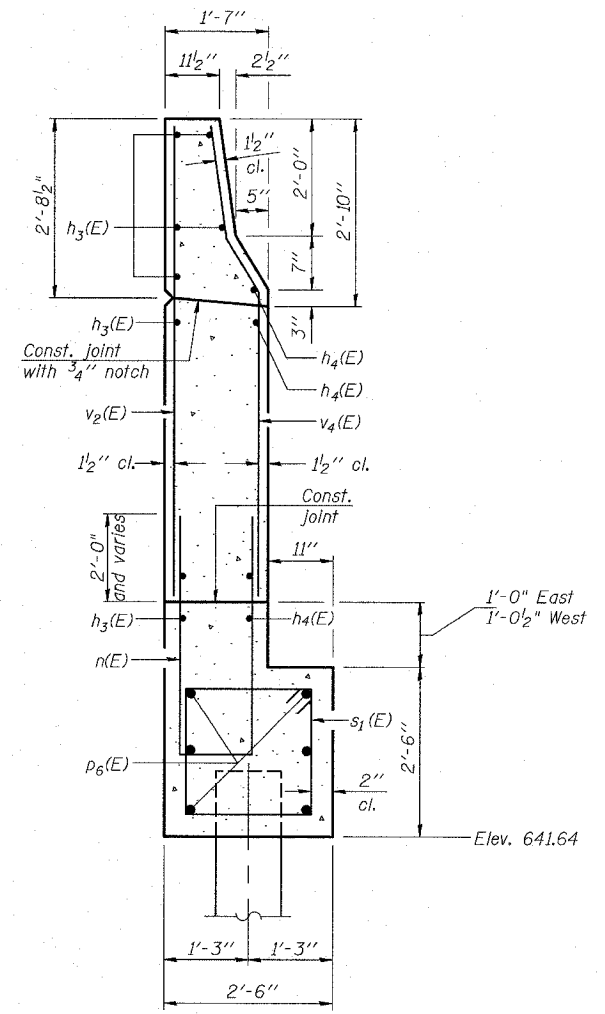
SEC. THRU ABUT.
(at right angles to abut.)



WING WALL ELEVATION
Showing Reinforcement



SEC. B-B



SEC. C-C

- Notes:
1. Hatched area to be poured after superstructure forms have been removed. Quantity of concrete included with Concrete Superstructure.
 2. Space reinforcement in cap to miss anchor bolts.
 3. Pour steps monolithically with cap.
 4. Reinforcement bars designated (E) shall be epoxy coated.
 5. Quantity of concrete in end post included with Concrete Superstructure on sheet 7 of 24.

NORTH ABUTMENT
IL RTE 40 OVER WINNEBAGO DITCH
F.A.P. 646 SECTION (102)BR-3
WHITESIDE COUNTY
STATION 558+38
S.N. 098-0109

DESIGNED	DDB		FILE NUMBER
CHECKED	AMPH		136.110
DRAWN	JDB		DATE
CHECKED	DDB		Aug.
			2005

R:\Projects\0136\0136-110 Winn ch 14-north abutment details.dgn

10/21/20 AM 8/8/2005

A-1-D 9-01-03