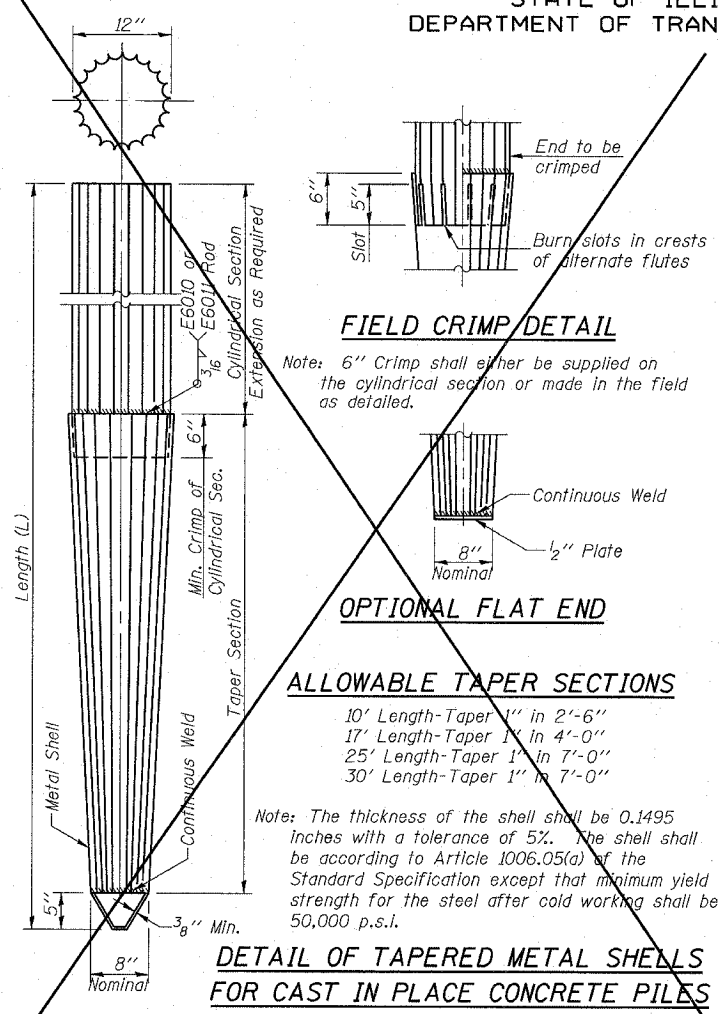
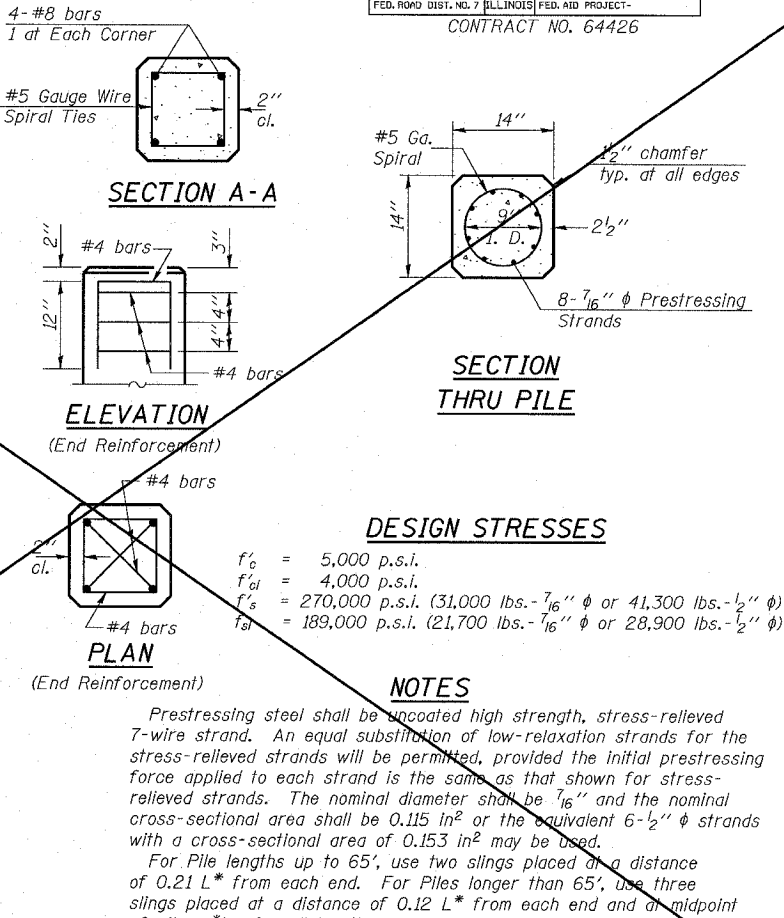
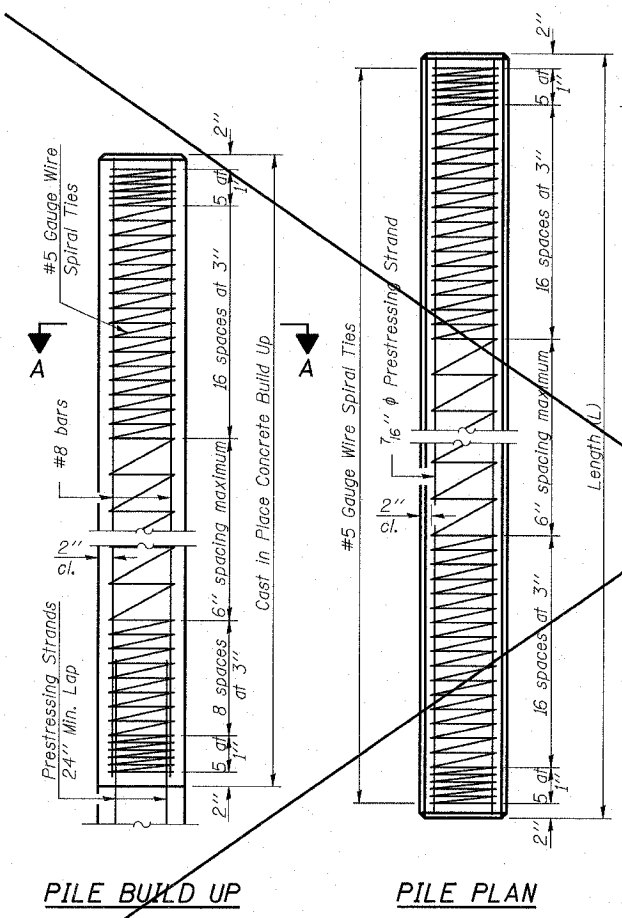


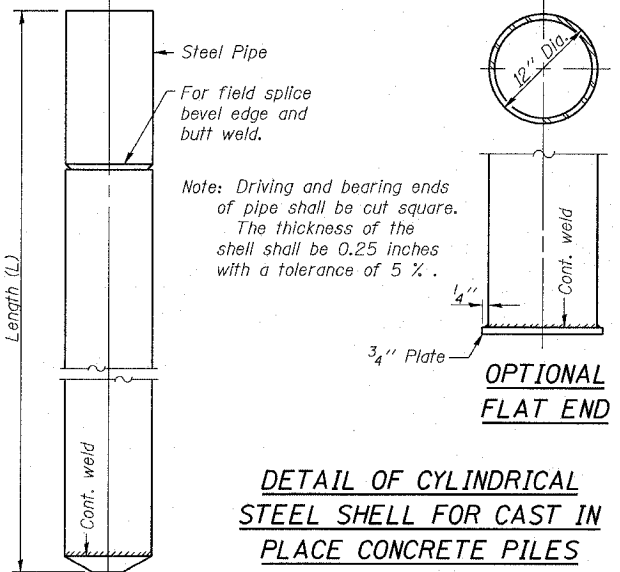
DETAIL OF PRECAST CONCRETE PILES



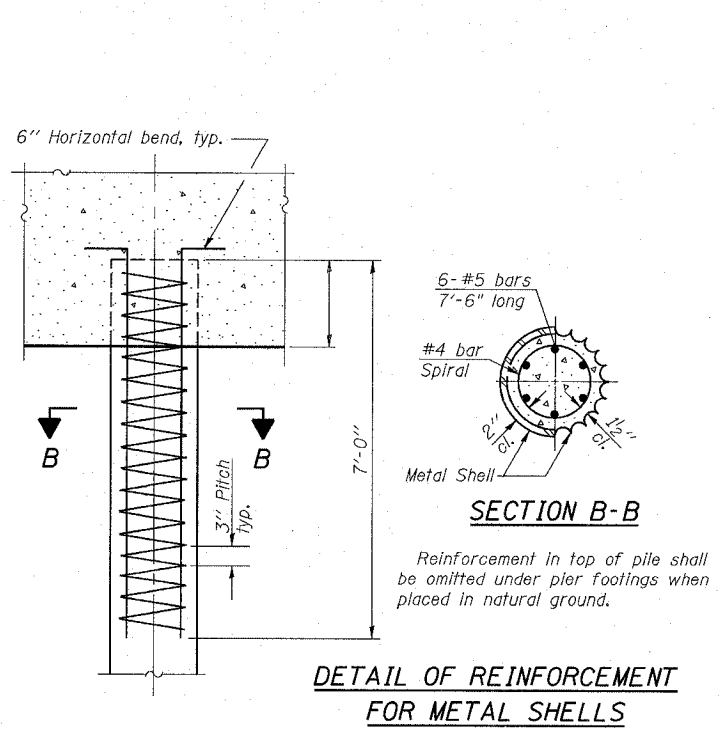
DETAIL OF TAPERED METAL SHELLS FOR CAST IN PLACE CONCRETE PILES



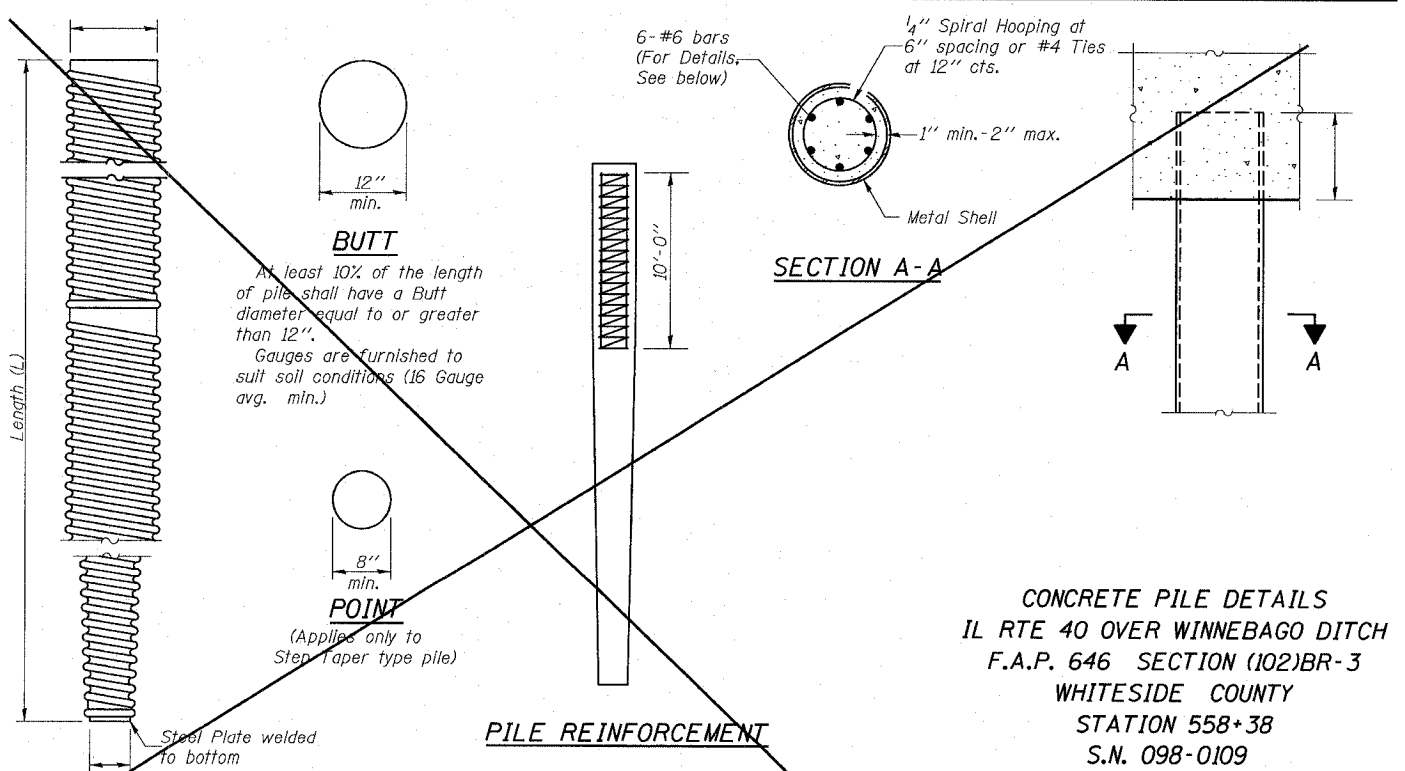
PRECAST PRESTRESSED CONCRETE PILE



DETAIL OF CYLINDRICAL STEEL SHELL FOR CAST IN PLACE CONCRETE PILES



DETAIL OF REINFORCEMENT FOR METAL SHELLS



PILE REINFORCEMENT

CONCRETE PILE DETAILS
IL RTE 40 OVER WINNEBAGO DITCH
F.A.P. 646 SECTION (102)BR-3
WHITESIDE COUNTY
STATION 558+38
S.N. 098-0109

R:\Projects\0136\0136-110 Winn ph 11\bridge planse\19 piles.dgn 10:57:35 AM 8/8/2005