

**NOTES**

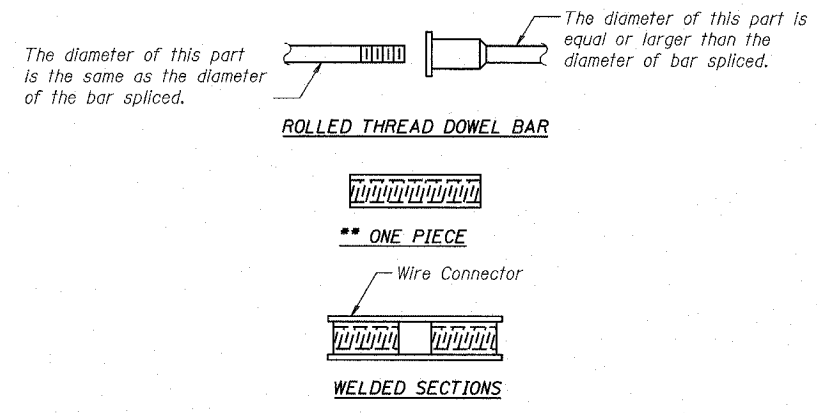
Bar splicer assemblies shall be of an approved type and shall develop in tension at least 125 percent of the yield strength of the lapped reinforcement bars.  
Splicer rods shall be of minimum 60 ksi yield strength, threaded or coiled full length.  
All reinforcement bars shall be lapped and tied to the splicer rods or dowel bars.  
Bar splicer assemblies shall be epoxy coated according to the requirements for reinforcement bars.  
Other systems of similar design may be submitted to the Engineer for approval. Approval shall be based on certified test results from an approved testing laboratory that the proposed bar splicer assembly satisfies the following requirements:

- Minimum Capacity (Tension in kips) =  $1.25 \times f_y \times A_t$
- Minimum \*Pull-out Strength (Tension in kips) =  $1.25 \times f_{sallow} \times A_t$

Where  $f_y$  = Yield strength of lapped reinforcement bars in ksi.  
 $f_{sallow}$  = Allowable tensile stress in lapped reinforcement bars in ksi (Service Load)  
 $A_t$  = Tensile stress area of lapped reinforcement bars.  
\* = 28 day concrete

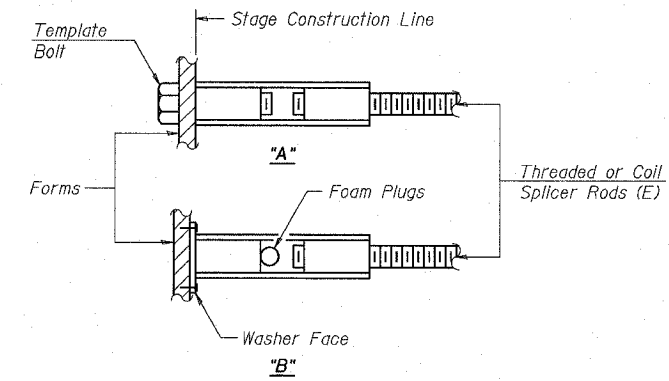
Bar Size to be Spliced	Splicer Rod or Dowel Bar Length	Strength Requirements	
		Min. Capacity kips - tension	Min. Pull-Out Strength kips - tension
#4	1'-8"	14.7	5.9
#5	2'-0"	23.0	9.2
#6	2'-7"	33.1	13.3
#7	3'-5"	45.1	18.0
#8	4'-6"	58.9	23.6
#9	5'-9"	75.0	30.0
#10	7'-3"	95.0	38.0
#11	9'-0"	117.4	46.8

Bar splicer assemblies shall be according to Section 508 of the Standard Specifications, except as noted. The furnishing and installation of bar splicer assemblies will be measured and paid for at the contract unit price each for "BAR SPLICERS."



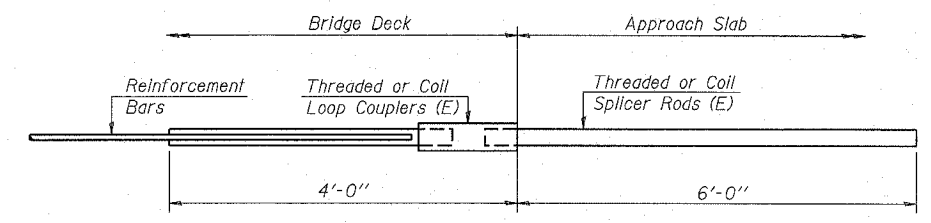
**BAR SPLICER ASSEMBLY ALTERNATIVES**

\*\* Heavy Hex Nuts conforming to ASTM A 563, Grade C, D or DH may be used.



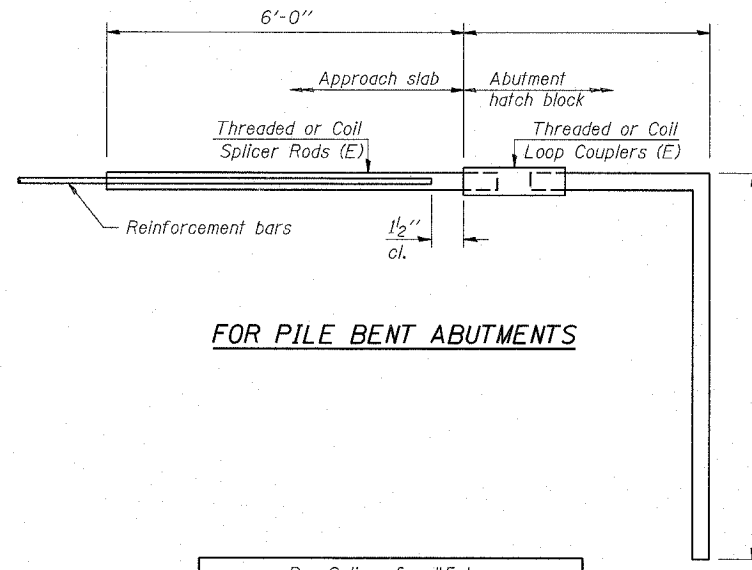
**INSTALLATION AND SETTING METHODS**

"A": Set bar splicer assembly by means of a template bolt.  
"B": Set bar splicer assembly by nailing to wood forms or cementing to steel forms.  
(E) : Indicates epoxy coating.



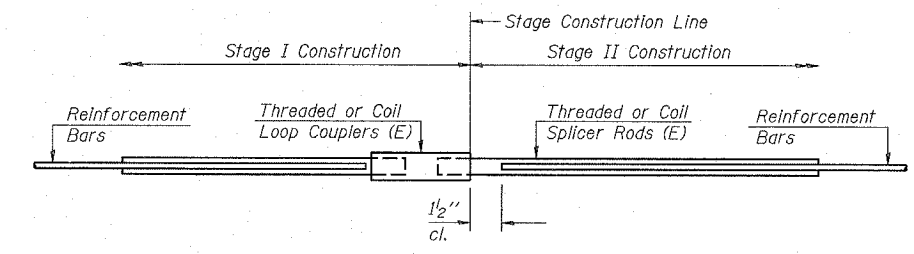
**FOR INTEGRAL OR SEMI-INTEGRAL ABUTMENTS**

Bar Splicer for #5 bar
Min. Capacity = 23.0 kips - tension
Min. Pull-out Strength = 9.2 kips - tension
No. Required = 0



**FOR PILE BENT ABUTMENTS**

Bar Splicer for #5 bar
Min. Capacity = 23.0 kips - tension
Min. Pull-out Strength = 9.2 kips - tension
No. Required = 94



**STANDARD**

Bar Size	No. Assemblies Required	Location
#5	497	Deck
#6	4	Deck
#6	16	Abutments
#7	16	Abutments
#5	40	Piers
#8	20	Piers

**BAR SPLICER DETAILS**  
IL RTE 40 OVER WINNEBAGO DITCH  
F.A.P. 646 SECTION (102)BR-3  
WHITESIDE COUNTY  
STATION 558+38  
S.N. 098-0109

DESIGNED DDB	<p>RANDOLPH &amp; ASSOCIATES, INC. 111 S. FORTNER PARKWAY, PEORIA, IL 61610-3134 TEL: 309-293-8844 FAX: 309-293-8888 111-682-6011-7021 WWW.RANDOLPHR&amp;A.COM</p>	FILE NUMBER
CHECKED AMPH		136.110
DRAWN JDB		DATE
CHECKED DDB		Aug.
		2005

R:\Projects\0136\0136-110 Winn.ph\1\bridge plans\20-bar splicer.dgn 11:02:50 AM 8/8/2005