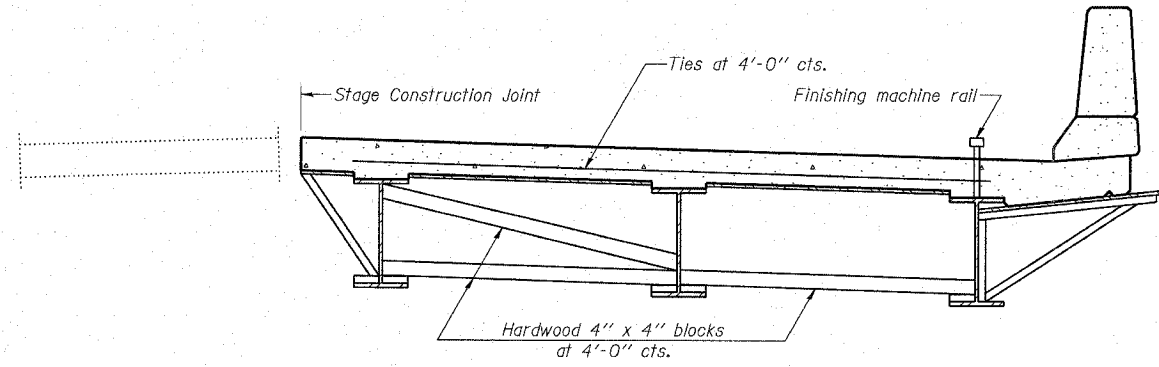


STATE OF ILLINOIS
DEPARTMENT OF TRANSPORTATION

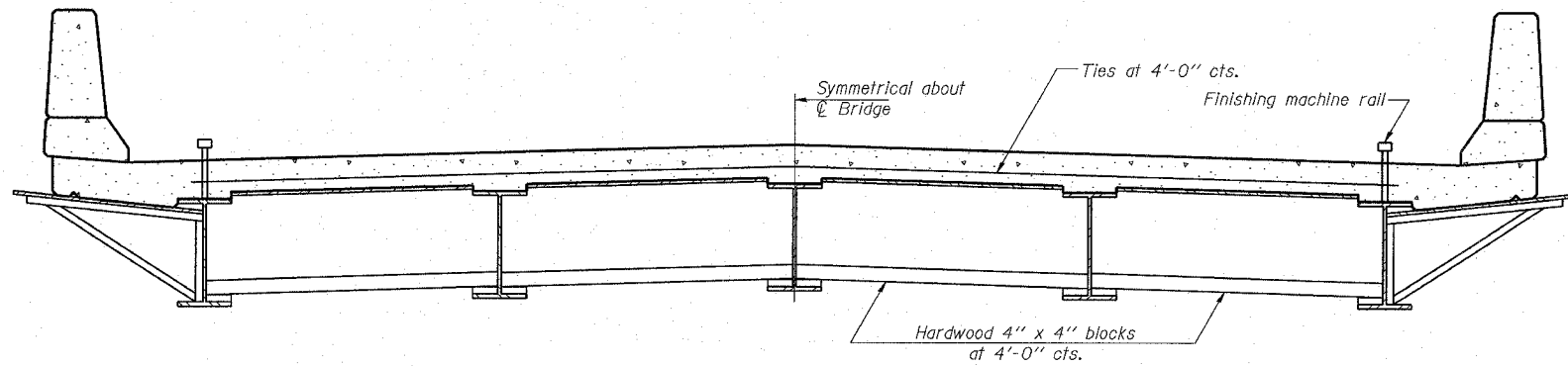
ROUTE NO.	SECTION	COUNTY	TOTAL SHEETS	SHEET NO.	SHEET NO. 21 24 SHEETS
S. B. I.	(102)	Whiteside	57	33	
F. A. 646	BR-3				
FED. ROAD DIST. NO. 7	ILLINOIS FED. AID PROJECT-				

CONTRACT NO. 64426



**FORM BRACES FOR
STAGE CONSTRUCTION**

When cantilever forming brackets are used, the work shall be done according to Article 503.06, except as modified below and in the details shown on this sheet.
The finishing machine rails shall be placed on the top flange of the exterior beams.
The beams or girders, supporting cantilever forming brackets, shall be tied together at 4 foot intervals.
For Standard construction, or Stage Construction the Hardwood bracing materials shall be placed as shown between webs of beams in each bay.



**FORM BRACES FOR
STANDARD CONSTRUCTION**

R:\Projects\0136\0136-110 Winn ph 11\bridge plansef\21 cant form bracket.dgn

8/8/2005 11:03:39 AM

**CANTILEVER FORMING BRACKETS
IL RTE 40 OVER WINNEBAGO DITCH
F.A.P. 646 SECTION (102)BR-3
WHITESIDE COUNTY
STATION 558+38
S.N. 098-0109**

SB-1 9-01-03

DESIGNED	DDB	RANDOLPH & ASSOCIATES, INC. <small>111 N. PIERCE PARKWAY, PEORIA, IL 61650-2124 TEL: 309-690-9999 FAX: 309-690-0888 WWW: WWW.RANDOLPH-ASSOCIATES.COM</small>	FILE NUMBER	136.110
CHECKED	AMPH		DATE	Aug. 2005
DRAWN	JDB			
CHECKED	DDB			