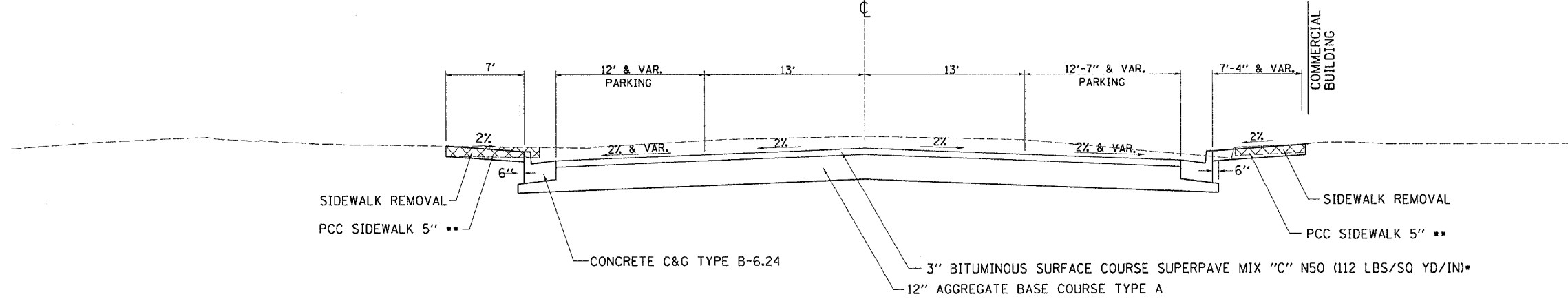


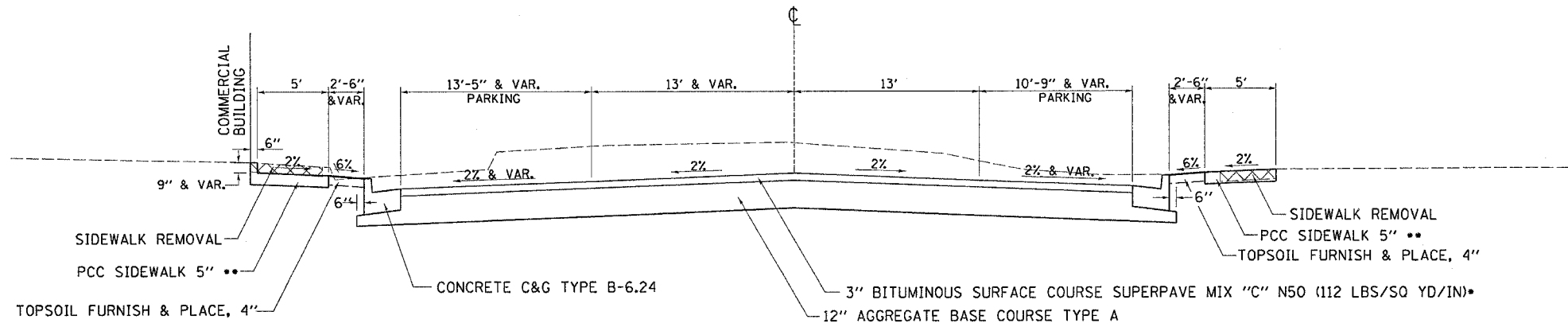
F.A. RTE.	SECTION	COUNTY	TOTAL SHEETS	SHEET NO.
573	116R-4	DEKALB	416	22
STA.		TO STA.		
FED. ROAD DIST. NO.		ILLINOIS	FED. AID PROJECT	

TYPICAL SECTIONS

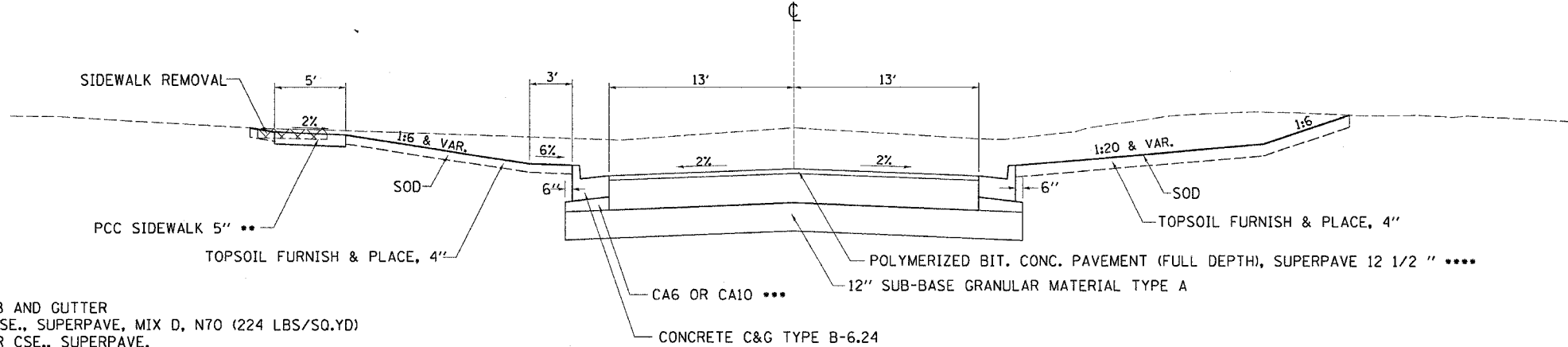
SYCAMORE STREET
 STA. 138+96.85 - STA. 139+46.50
 STA. 140+54.51 - STA. 141+55.00



MAPLE STREET
 STA. 160+53.54 - STA. 161+85.38



S. OAK STREET
 STA. 179+20.00 - STA. 179+44.87



- PLACE IN 2 LIFTS
- SEE SCHEDULE FOR LOCATIONS
- COST TO BE INCLUDED IN COST OF CONCRETE CURB AND GUTTER
- 2" POLYMERIZED BITUMINOUS CONCRETE SURFACE CSE., SUPERPAVE, MIX D, N70 (224 LBS/SQ.YD)
- 10-1/2" POLYMERIZED BITUMINOUS CONCRETE BINDER CSE., SUPERPAVE, IL 19.0, N70 (1176 LBS/SQ.YD)