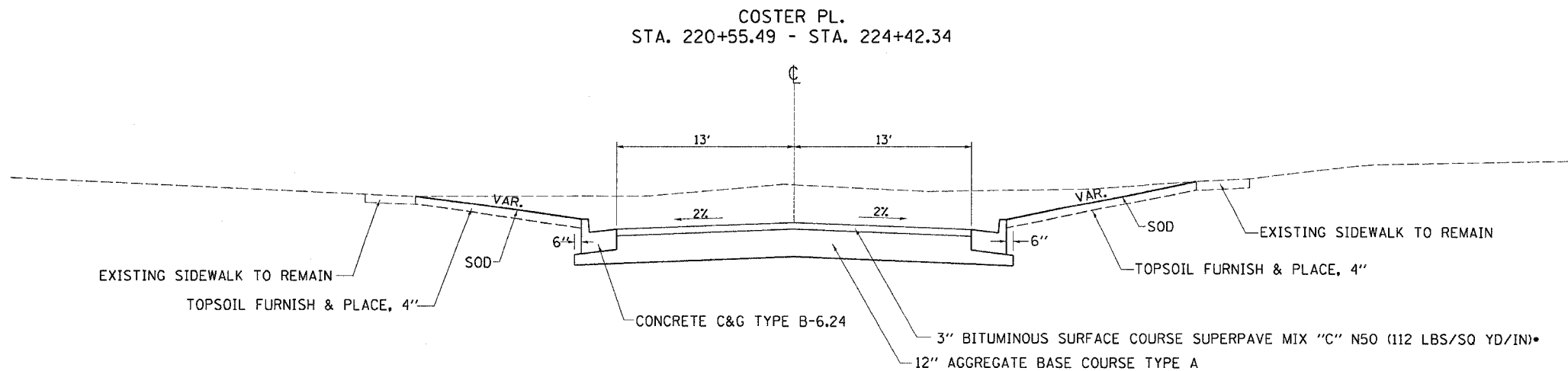
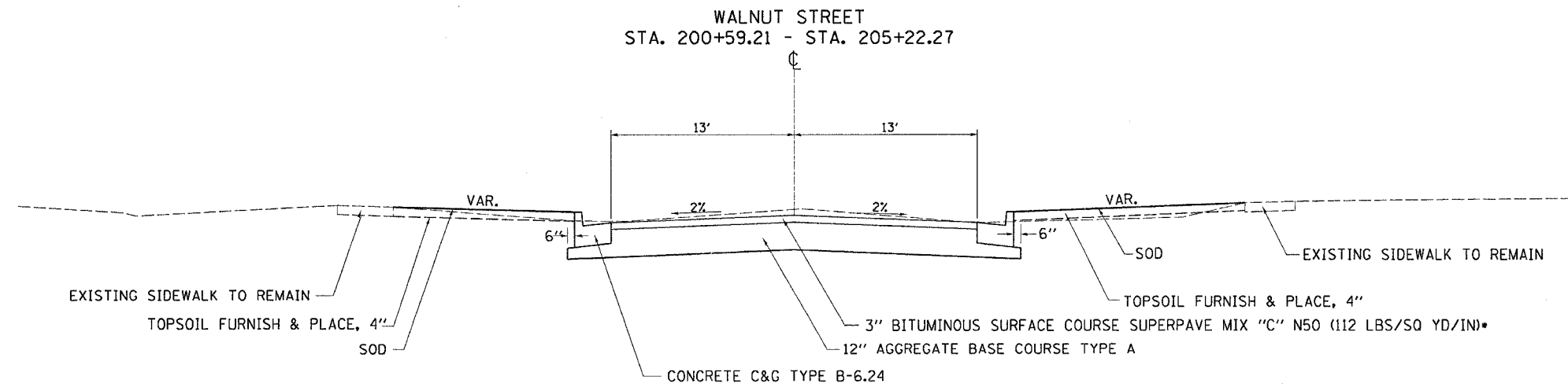
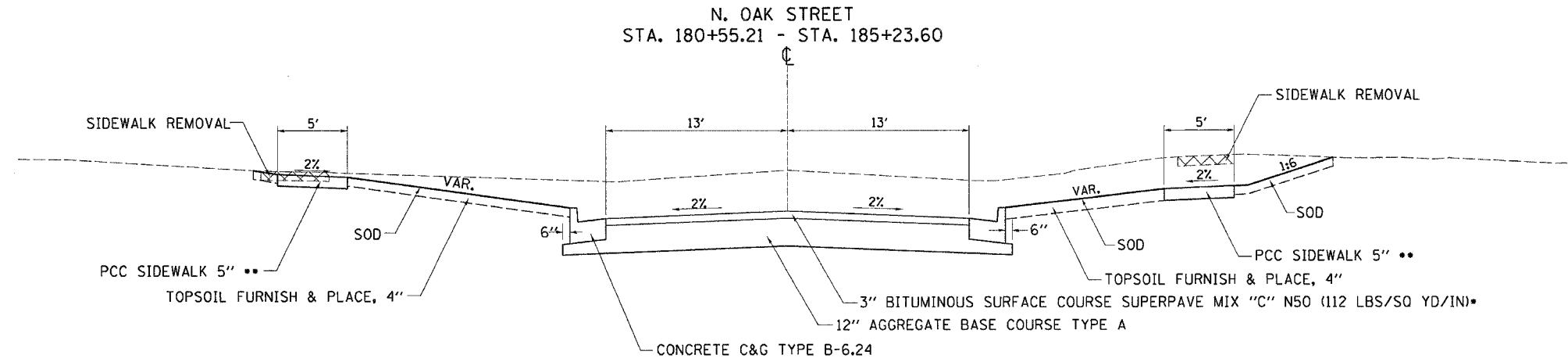


| F.A. RTE. | SECTION | COUNTY | TOTAL SHEETS | SHEET NO. |
|---------------------|----------|------------------|--------------|-----------|
| 573 | 116R-4 | DEKALB | 416 | 23 |
| STA. | | TO STA. | | |
| FED. ROAD DIST. NO. | ILLINOIS | FED. AID PROJECT | | |

TYPICAL SECTIONS



- PLACE IN 2 LIFTS
- SEE SCHEDULE FOR LOCATIONS

DATE: 11/11/11
 DRAWN BY: J. B. BROWN
 CHECKED BY: J. B. BROWN
 PROJECT NO.: 116R-4
 SHEET NO.: 23