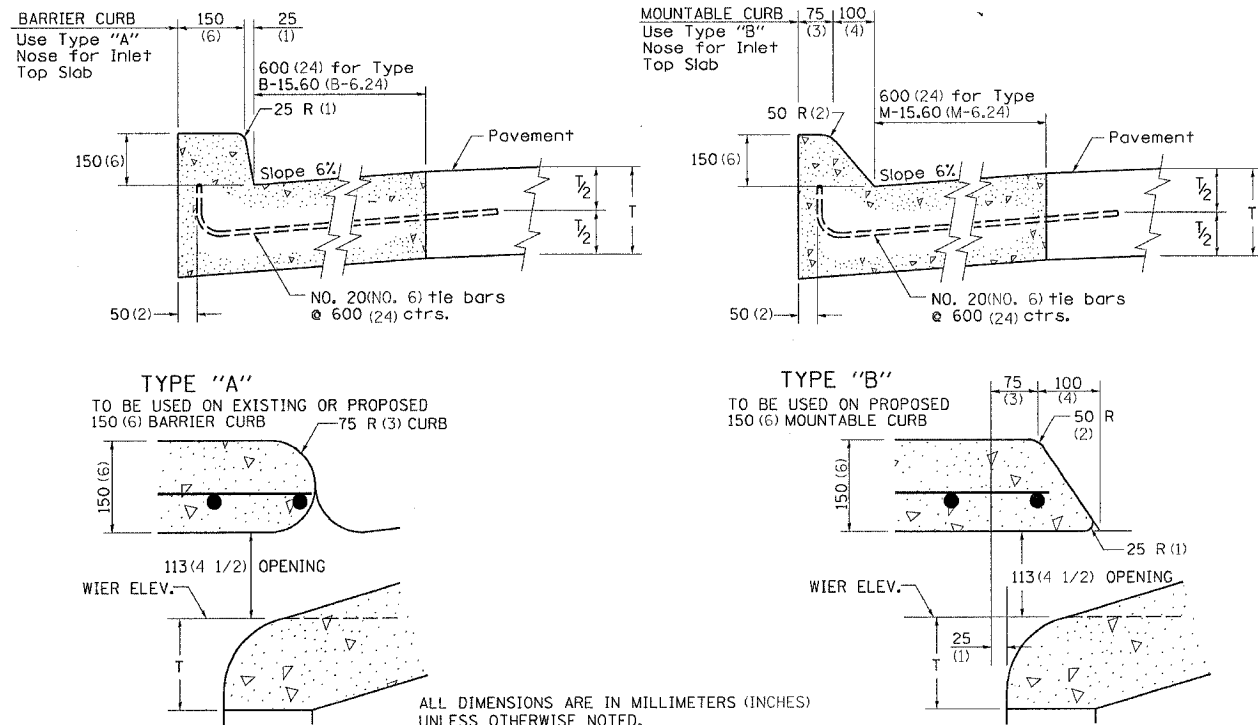


F.A. PR. RTE.	SECTION	COUNTY	TOTAL SHEETS	SHEET NO.
573	116R-4	DEKALB	416	262
STA.		TO STA.		
FED. ROAD DIST. NO.		ILLINOIS FED. AID PROJECT		

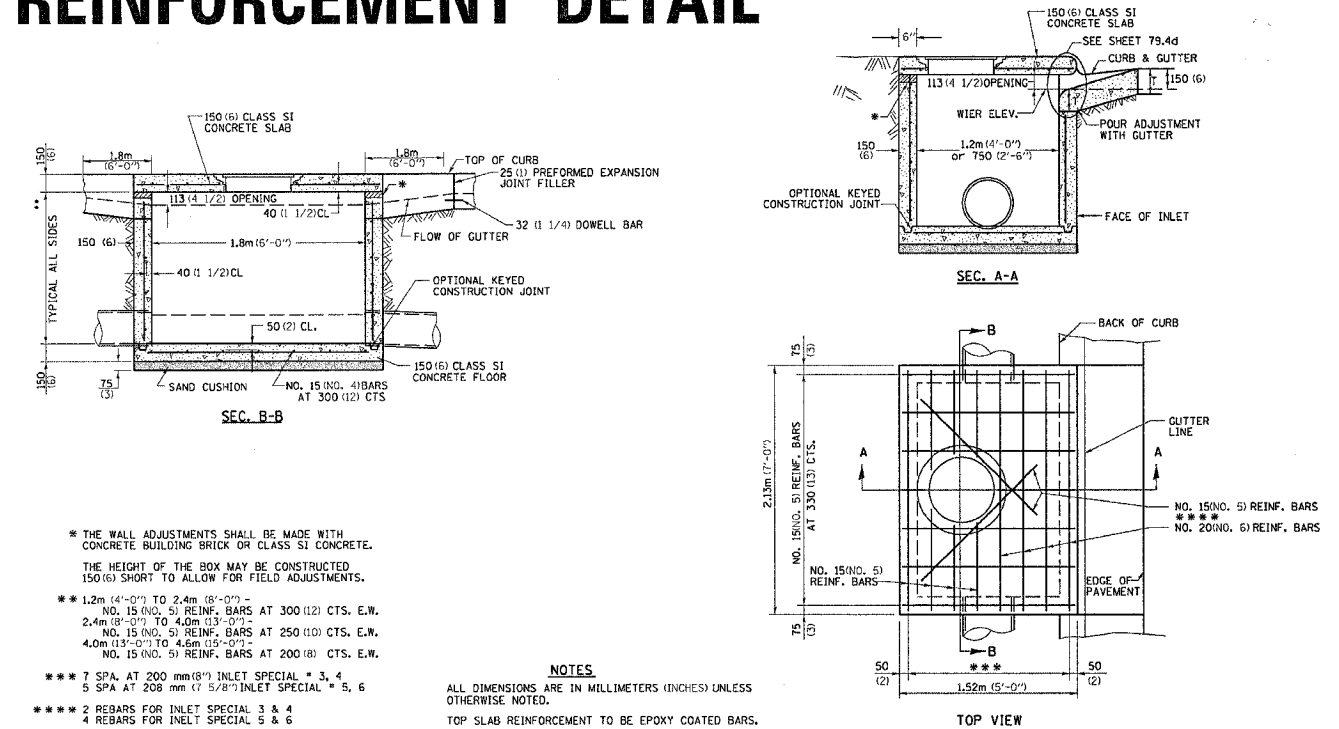
NOSE TYPE FOR INLET TOP SLAB



NOSE TYPE FOR INLET TOP SLAB 79.4d

REVISED 2-14-95

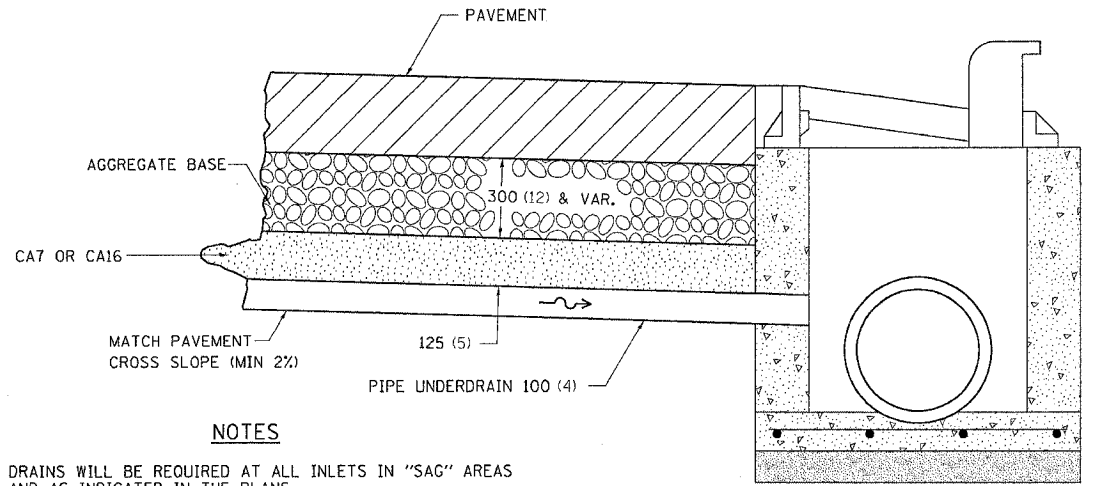
INLET SPECIAL NO. 3, 4, 5, 6 REINFORCEMENT DETAIL



INLET SPECIAL NO. 3, 4, 5, 6 REINFORCEMENT DETAIL 79.4e

REVISED 4-4-05

DRAIN FOR AGGREGATE BASES IN URBAN AREAS



NOTES

DRAINS WILL BE REQUIRED AT ALL INLETS IN "SAG" AREAS AND AS INDICATED IN THE PLANS.

THIS WORK SHALL BE COMPLETED ACCORDING TO SECTION 601 OF THE STANDARD SPECIFICATIONS.

THIS WORK WILL BE PAID FOR AT THE CONTRACT UNIT PRICE PER METER (FOOT) FOR PIPE UNDERDRAINS OF THE DIAMETER SPECIFIED WHICH PRICE SHALL INCLUDE THE CA7 OR CA16 AND THE CONNECTION TO THE INLET.

ALL DIMENSIONS ARE IN MILLIMETERS (INCHES) UNLESS OTHERWISE NOTED.

DRAIN FOR AGGREGATE BASES IN URBAN AREAS 88.4

REVISED 4-7-99

TREE REPLACEMENT SCHEDULE

CODE NUMBER	SCIENTIFIC NAME	COMMON NAME	SIZE	UNIT	QUANTITY
A2001714	TREE, ACER SACCHARUM	SUGAR MAPLE	1 3/4" CALIPER, BALLED & BURLAPPED	EACH	5
A2007814	TREE, TILIA AMERICANA	AMERICAN LINDEN/BASSWOOD	1 3/4" CALIPER, BALLED & BURLAPPED	EACH	5
B2002716	TREE, MALUS ADIRONDACK	ADIRONDACK CRABAPPLE	2" CALIPER, TREE FORM BALLED & BURLAPPED	EACH	5
B2004114	TREE, MALUS PRAIRIFIRE	PRAIRIFIRE CRABAPPLE	1 3/4" CALIPER, TREE FORM BALLED & BURLAPPED	EACH	4
B2004814	TREE, MALUS SARGENTII	SARGENT CRABAPPLE	1 3/4" CALIPER, TREE FORM BALLED & BURLAPPED	EACH	5
D2001772	EVERGREEN PICEA ABIES	NORWAY SPRUCE	6' HEIGHT, BALLED & BURLAPPED	EACH	37
				TOTAL	61

GENERAL NOTES:

LAYOUT SHALL BE PERFORMED BY THE DISTRICT LANDSCAPE ARCHITECT.

MULCH SHALL BE HARDWOOD WOOD CHIPS, 5 FOOT WIDTH, 4 INCHES THICK WITH WEED BARRIER FABRIC.

THE 37 PICEA ABIES SHALL BE PLANTED AT THE IDOT WATERMAN MAINTENANCE YARD LOCATED ON U.S. RTE. 30, EAST SIDE OF WATERMAN.

ALL DIMENSIONS ARE IN MILLIMETERS (INCHES) UNLESS OTHERWISE NOTED.

TREE REPLACEMENT SCHEDULE 90.4

REVISED 8-10-05

PLOT DATE = Fri, Sep 02 07:12:23 2005
 FILE NAME = C:\projects\116R-4\116R-4.dwg
 REFERENCE = REF1