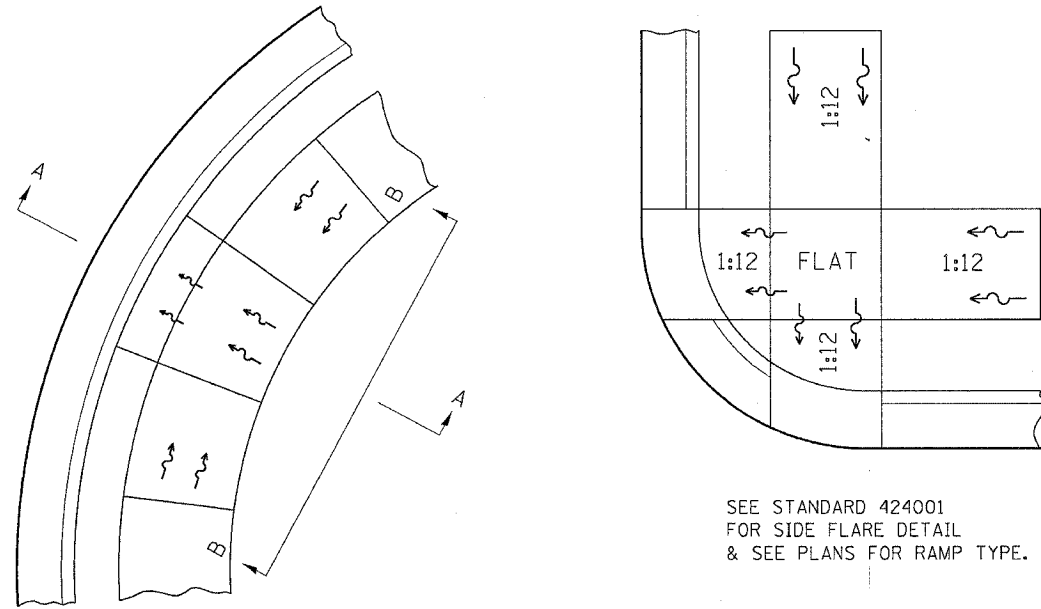
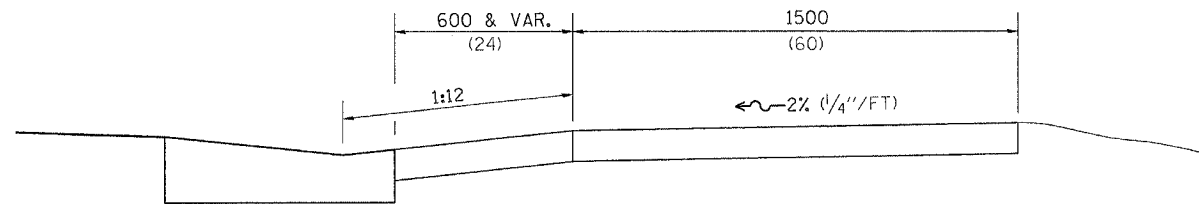


F.A.P. RTE.	SECTION	COUNTY	TOTAL SHEETS	SHEET NO.
573	116R-4	DEKALB	416	267
STA.		TO STA.		
FED. ROAD DIST. NO.		ILLINOIS FED. AID PROJECT		

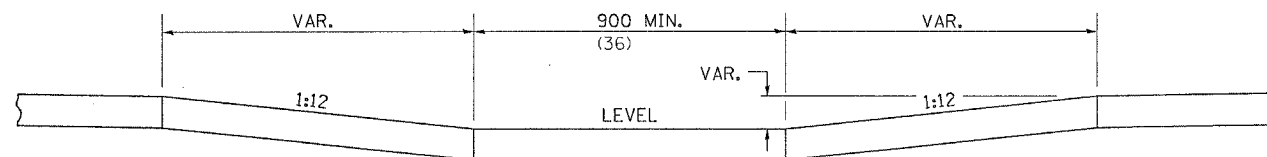
DISABLED RAMP DETAIL



ALL DIMENSIONS ARE IN MILLIMETERS (INCHES) UNLESS OTHERWISE NOTED.



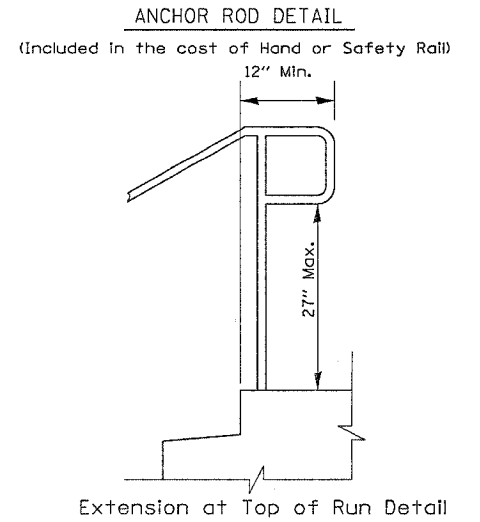
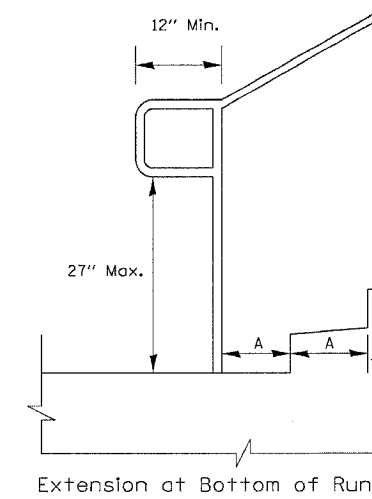
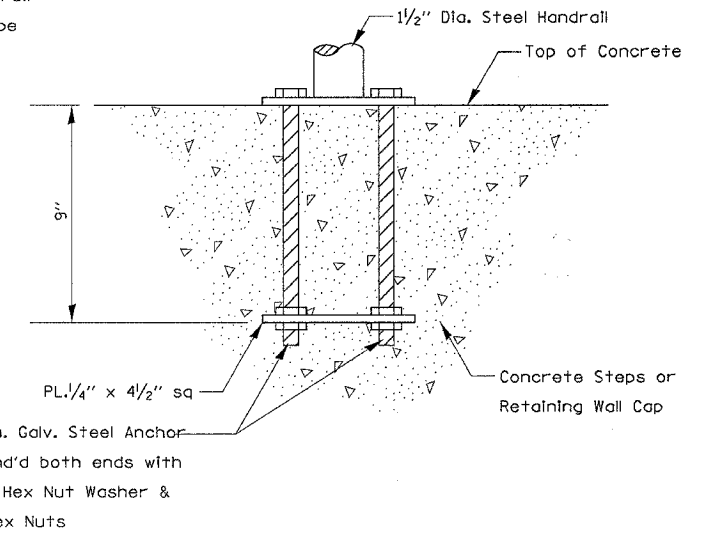
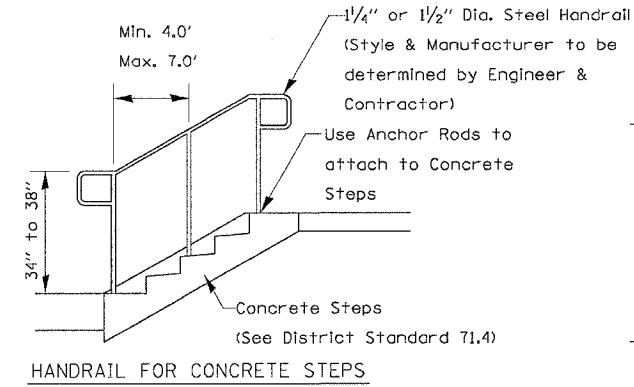
SECTION A-A



SECTION B-B

NOTES : THIS DETAIL TO BE USED IN CONJUNCTION WITH STATE STANDARD 424001. THE MAXIMUM ALLOWABLE CROSS SLOPE FOR SIDEWALK IS 2% (1/4\"/>

PIPE HANDRAILS FOR STEPS



Notes:

Stairways shall have continuous handrails both sides of all stairs.

The inside handrail on switchback or dogleg stairs shall always be continuous.

Gripping surfaces shall be uninterrupted by newel posts, other construction elements, or obstructions.

Ends of handrail shall be either rounded or returned smoothly to floor, wall, or post.

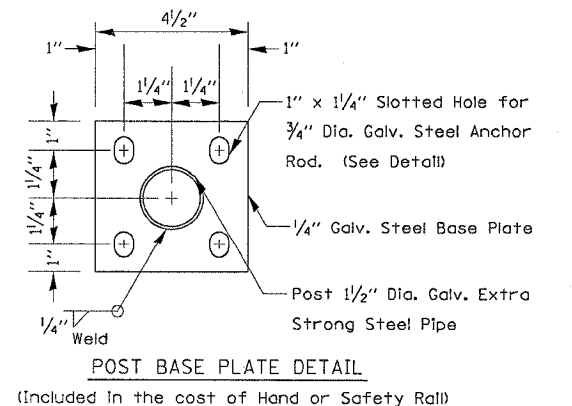
Hand & safety rails shall not rotate within their fittings.

The clear space between handrails and any wall shall be 11/2\"/>

Handrail shall conform to Section 510 with the exception that all pipe and connections shall be welded galvanized or aluminum according to Article 1006.27, 1006.30, or 1006.34.

The diameter of the gripping surface of the handrail shall be 1-1/4\"/>

This work shall be paid for at the contract unit price per meter (foot) for PIPE HANDRAIL.



POST BASE PLATE DETAIL

(Included in the cost of Hand or Safety Rail)

PLOT DATE = Fri Sep 02 07:12:27 2005
 FILE NAME = C:\Programs\AutoCAD\2004\1700\1700.dwg
 PLOT SCALE = 1/16\"/>