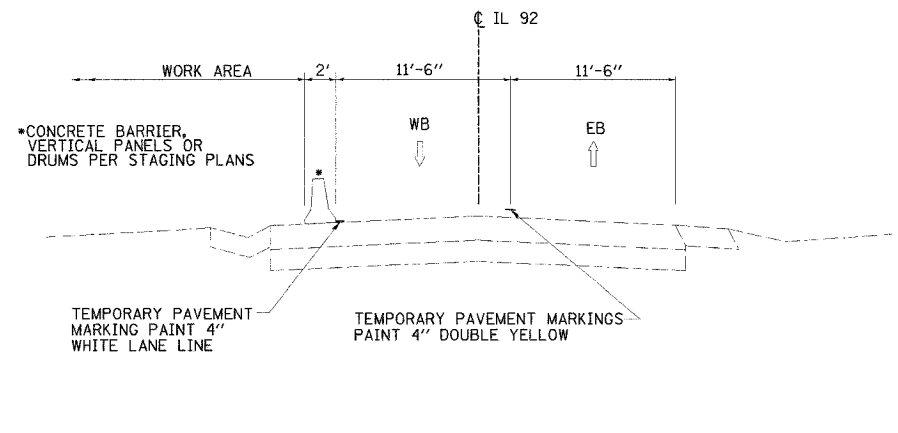


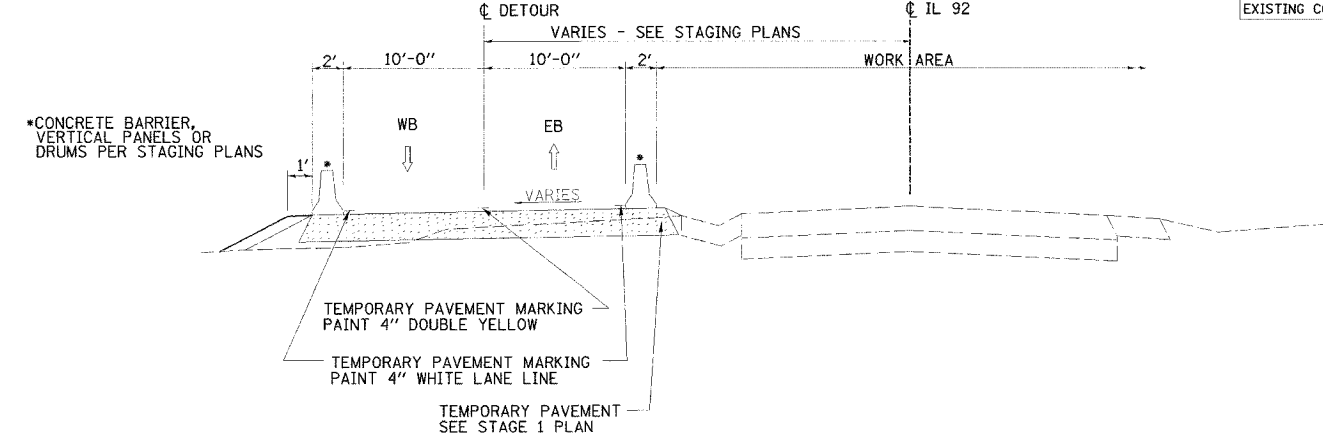
F&P NO.	SECTION	COUNTY	TOTAL SHEETS	SHEET NO.
599	42MFT-BR	ROCK ISLAND	90	19
STA. 404+30 TO STA. 411+46		EXISTING CONDITIONS:		

CONTRACT 64641



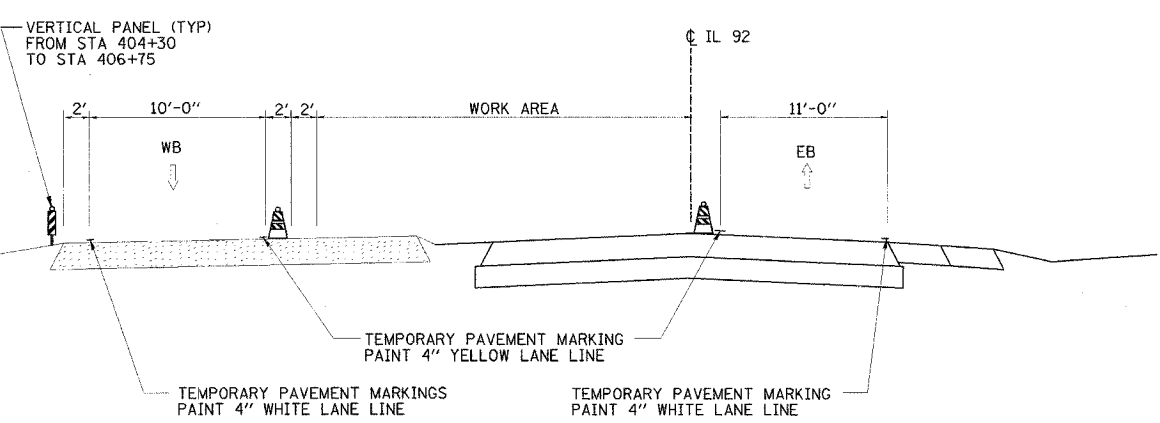
STAGE 1

STA 406+25 TO STA 408+54



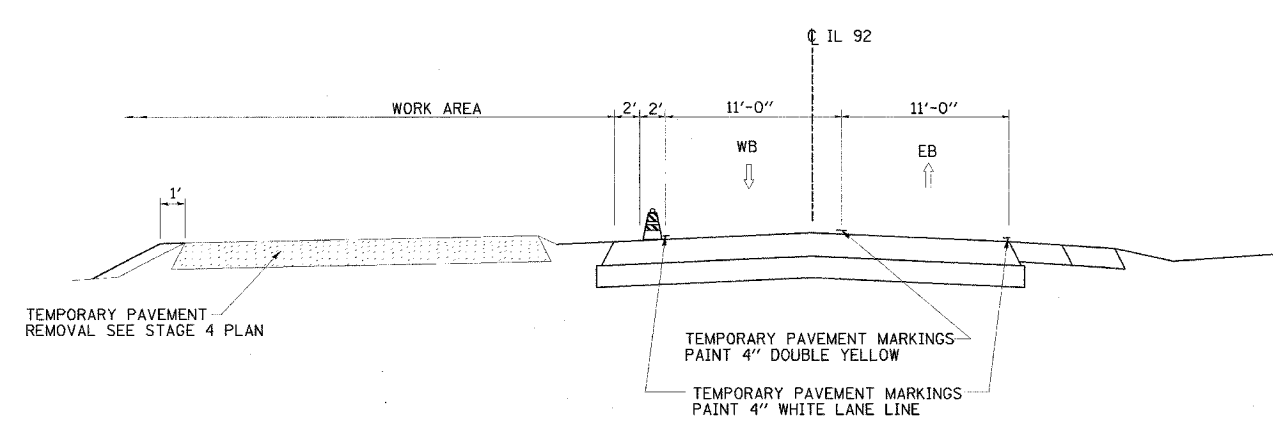
STAGE 2

STA 404+30 TO STA 411+63.5



STAGE 3

STA 409+20 TO STA 410+40



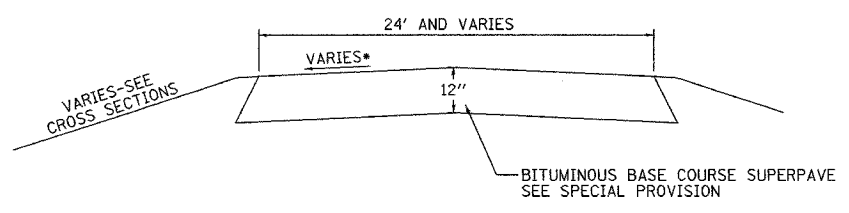
STAGE 4

STA 404+30 TO STA 411+63.5

MAINTAIN TRAFFIC ON IL 92 WITH DAYTIME LANE CLOSURES IN ACCORDANCE WITH STANDARD 701306 FOR PLACEMENT OF FINAL WEARING SURFACE AND PAVEMENT MARKINGS.
LANDSCAPING OPERATIONS SHALL BE PERFORMED IN ACCORDANCE WITH STANDARD 701101.

STAGE 5

STA 404+30 TO STA 411+46



TEMPORARY PAVEMENT TYPICAL SECTION

• SEE STAGE 1 PLAN TEMPORARY PAVEMENT SCHEDULE FOR STATION, OFFSET, ELEVATION AND CROSS SLOPE.

TRAFFIC CONTROL NOTES

- DURING THE CONSTRUCTION PERIOD IT IS THE INTENTION OF THE DEPARTMENT THAT IL 92 AND ALL ADJACENT SIDE STREETS REMAIN OPEN TO TWO-WAY THROUGH TRAFFIC AT ALL TIMES EXCEPT AS DESCRIBED HEREIN. THIS SHALL BE ACCOMPLISHED IN ACCORDANCE WITH ARTICLE 107.14 OF THE STANDARD SPECIFICATIONS AND AS SHOWN AND DESCRIBED IN THESE PLANS.
- THE CONTRACTOR SHALL ORGANIZE THE CONSTRUCTION ACTIVITIES SO THAT CONSTRUCTION PROCEEDS IN AN EXPEDITIOUS MANNER SO CLOSURES AND ADVERSE TRAVEL PERIODS ARE MINIMIZED.
- THE CONTRACTOR SHALL BE SOLELY RESPONSIBLE FOR THE STAGE CONSTRUCTION OF ALL CULVERTS AND APPURTENANT DRAINAGE ITEMS TO ENSURE NO CONFLICT WITH THE ROADWAY CONSTRUCTION STAGES AND TRAFFIC MOVEMENTS. THE CONTRACTOR SHALL MAINTAIN DRAINAGE AT ALL TIMES DURING THE VARIOUS STAGES OF CONSTRUCTION. PONDING OF WATER ON THE ROADWAY WILL NOT BE ALLOWED.
- THE CONTRACTOR SHALL PROVIDE AND MAINTAIN ACCESS TO THE PRIVATE, FIELD, AND COMMERCIAL ENTRANCES TO PROPERTIES ABUTTING THE ROADWAY BEING IMPROVED IN ACCORDANCE WITH ARTICLE 107.09 OF THE STANDARD SPECIFICATIONS. ACCESS TO THE COMMERCIAL PROPERTIES SHALL, AT NO TIME, BE SHUT OFF COMPLETELY. GAP WIDENING, HALF-WIDTH CONSTRUCTION, AND TEMPORARY GRAVEL SURFACES SHALL BE USED TO PROVIDE ALL-WEATHER ACCESS TO THE ABOVE LOCATIONS. AT NO TIME SHALL A PRIVATE ENTRANCE BE CLOSED FOR MORE THAN EIGHT HOURS. THE COST OF PROVIDING ACCESS TO ENTRANCES DURING CONSTRUCTION SHALL BE PAID AT THE CONTRACT UNIT PRICE FOR "TEMPORARY ACCESS" OF THE TYPE SPECIFIED AS DESCRIBED IN THE SPECIAL PROVISIONS.
- TEMPORARY PAVEMENT MARKING, PAINT SHALL NOT BE USED ON THE FINAL WEARING SURFACE OR ON ANY EXISTING SURFACE TO REMAIN. USE PAVEMENT MARKING TAPE, TYPE III ON THE FINAL WEARING SURFACE AND EXISTING SURFACE TO REMAIN AS REQUIRED.
- REPLACEMENT OF DAMAGED OR UNSERVICEABLE TEMPORARY IMPACT ATTENUATORS SHALL BE INCLUDED IN THE UNIT PRICE BID FOR "IMPACT ATTENUATORS, TEMPORARY" OF THE TYPE SPECIFIED.

REVISIONS	
NAME	DATE

ILLINOIS DEPARTMENT OF TRANSPORTATION
FAP 599 (IL 92)
SECTION 42MFT-BR
ROCK ISLAND COUNTY

MAINTENANCE OF TRAFFIC

DRAWN BY: HLC

DATE	
BY	
DESIGNED	
CHECKED	
APPROVED	
DATE	
BY	
DATE	
BY	

08/31/2005
DATE TIME
-CON-SEC-
-REF-
-REV-