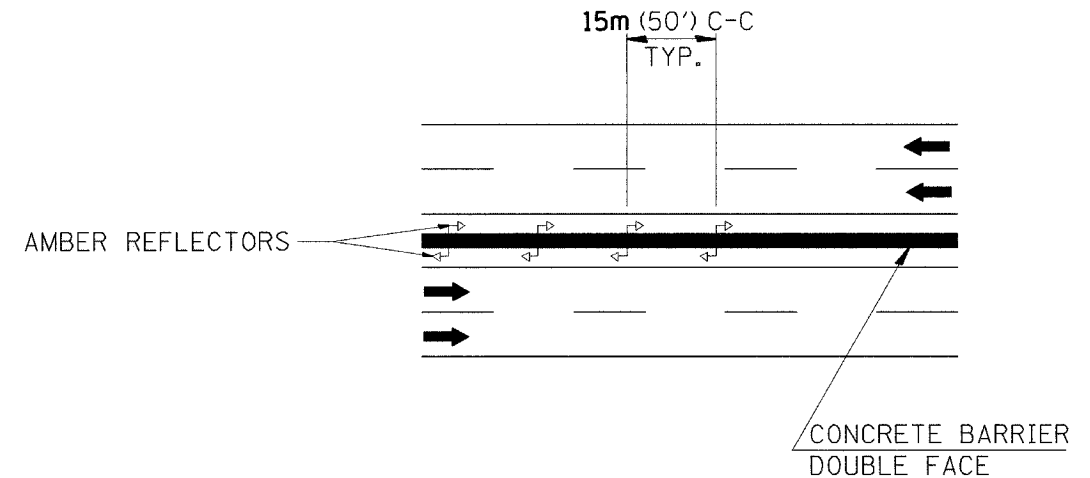
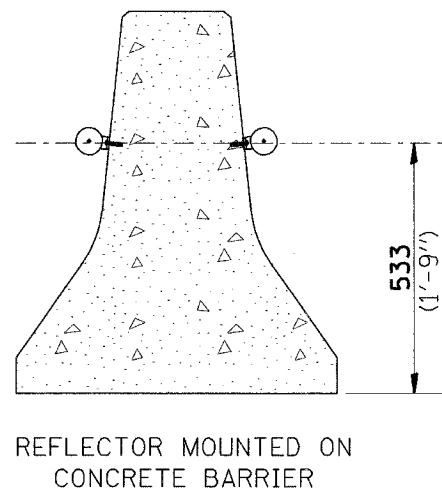
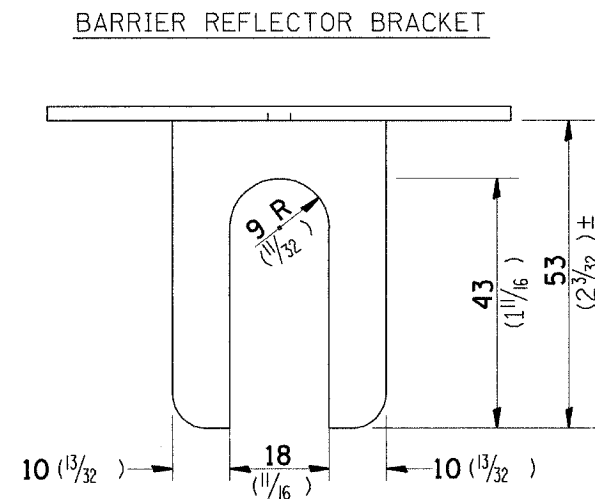


BARRIER REFLECTORS

| F. A. P. RTE. | SECTION | COUNTY | TOTAL SHEETS | SHEET NO |
|----------------------|------------------|-------------------------|------------------|----------|
| 599 | 42MFT-BR & 42MFT | ROCK ISLAND | 90 | 70 |
| STA. 404+30 & 326+50 | | TO STA. 411+46 & 336+10 | | |
| FED. ROAD DIST. NO. | | ILLINOIS | FED. AID PROJECT | |



NOTES:

BRACKET TO BE FABRICATED FROM 12 GAUGE (MIN) STEEL GALVANIZED IN ACCORDANCE WITH ASSHTO M 111.

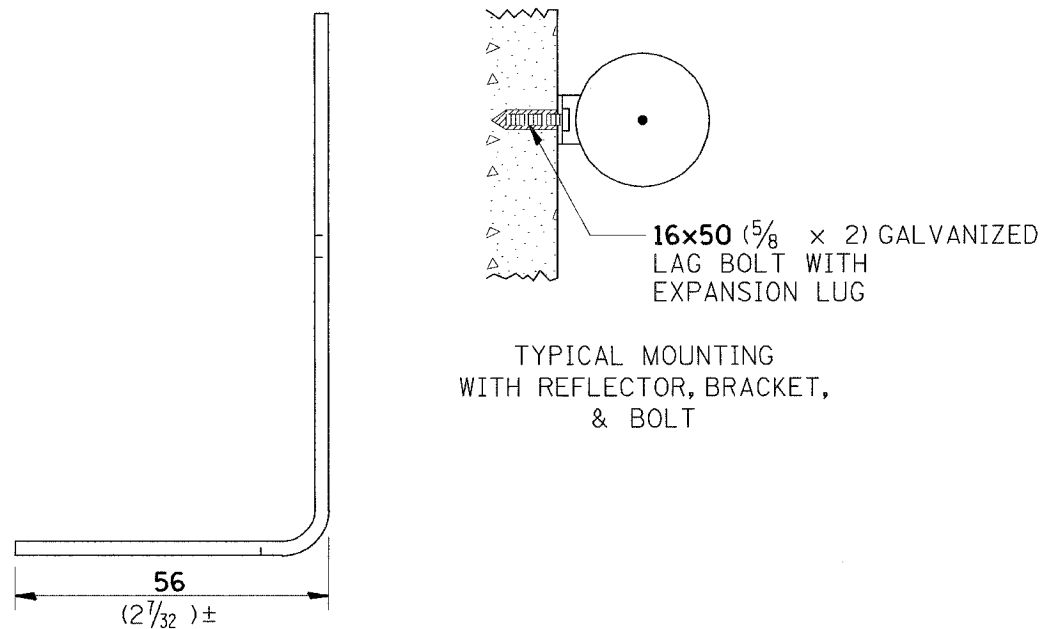
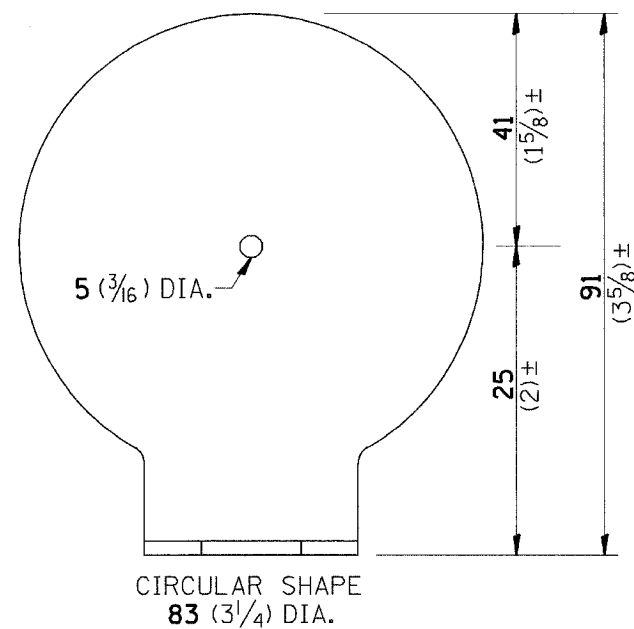
INSTALL AMBER REFLECTORS WITH SPACING OF **15m (50')** CENTERS.

BRACKET SHALL BE PLACED BETWEEN THE BOLT HEAD AND THE PLATE WASHER.

REFLECTORS SHALL CONFORM TO THE REQUIREMENTS OF SECTION 784.07 OF THE STANDARD SPECIFICATIONS.

THIS WORK SHALL BE CONSIDERED INCIDENTAL TO UNIT COST OF **CONCRETE BARRIER**.

ALL DIMENSIONS ARE IN MILLIMETERS (INCHES) UNLESS OTHERWISE NOTED.



BARRIER REFLECTORS

STANDARD 92.4