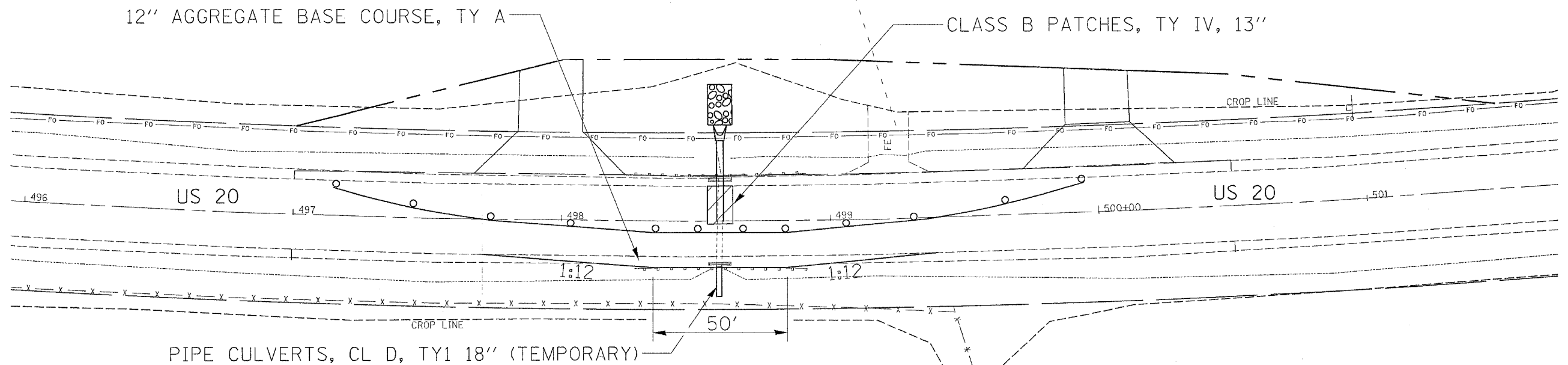


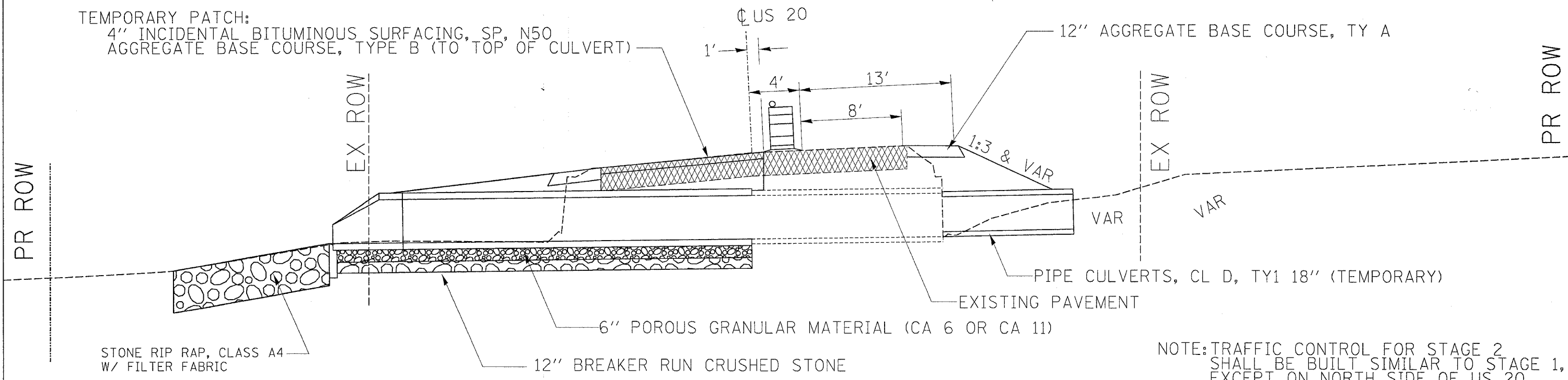
F.A.P. RTE.	SECTION	COUNTY	TOTAL SHEETS	SHEET NO.
301	21-T	STEPHENSON	49	20
STA.		TO STA.		
FED. ROAD DIST. NO.		ILLINOIS	FED. AID PROJECT	

CULVERT DETAILS

STA. 498 + 59.03



TEMPORARY PATCH:
 4" INCIDENTAL BITUMINOUS SURFACING, SP, N50
 AGGREGATE BASE COURSE, TYPE B (TO TOP OF CULVERT)



NOTE: TRAFFIC CONTROL FOR STAGE 2
 SHALL BE BUILT SIMILAR TO STAGE 1,
 EXCEPT ON NORTH SIDE OF US 20

PLT DATE
 FILE NAME
 PLT SCALE
 USER NAME