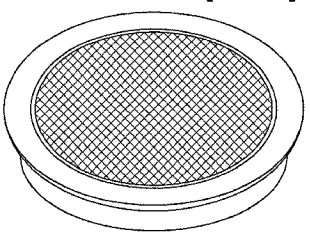


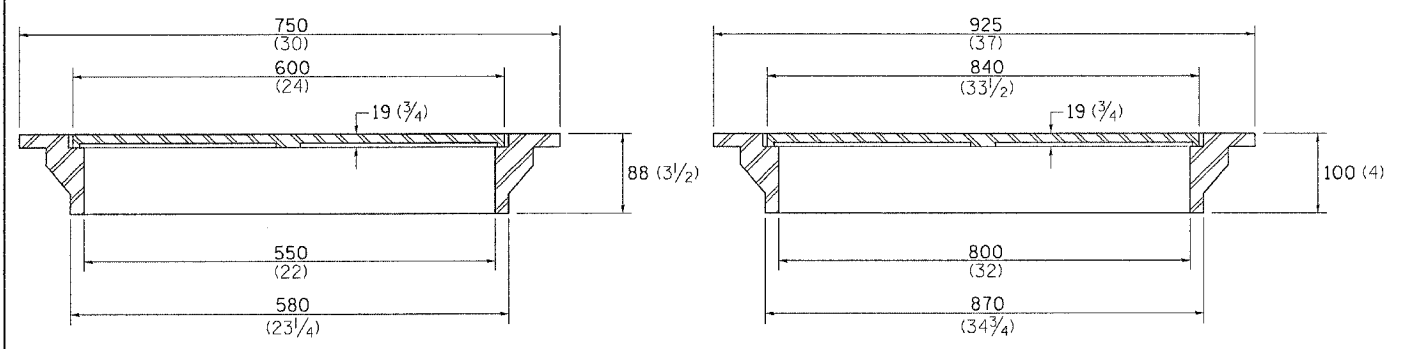
F.A.P. RTE.	SECTION	COUNTY	TOTAL SHEETS	SHEET NO.
301	21-T	STEPHENSON	49	25
STA.		TO STA.		
FED. ROAD DIST. NO.		ILLINOIS FED. AID PROJECT		

FIELD TILE JUNCTION VAULTS 600 (24) AND 900 (36) DIA.



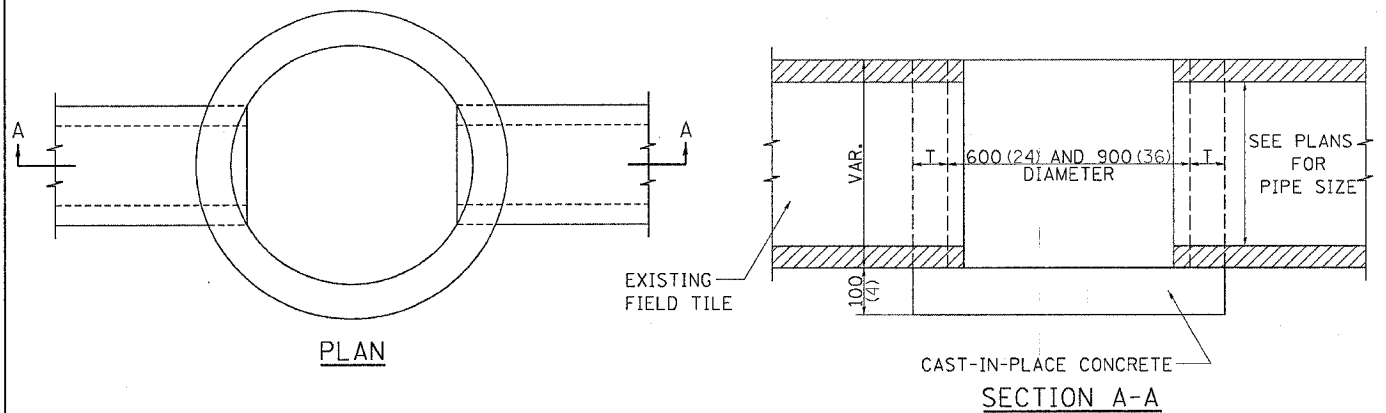
FRAME & LID FOR 600 (24) VAULT

FRAME & LID FOR 900 (36) VAULT



TOTAL WEIGHT: 66 Kg (146 lbs)

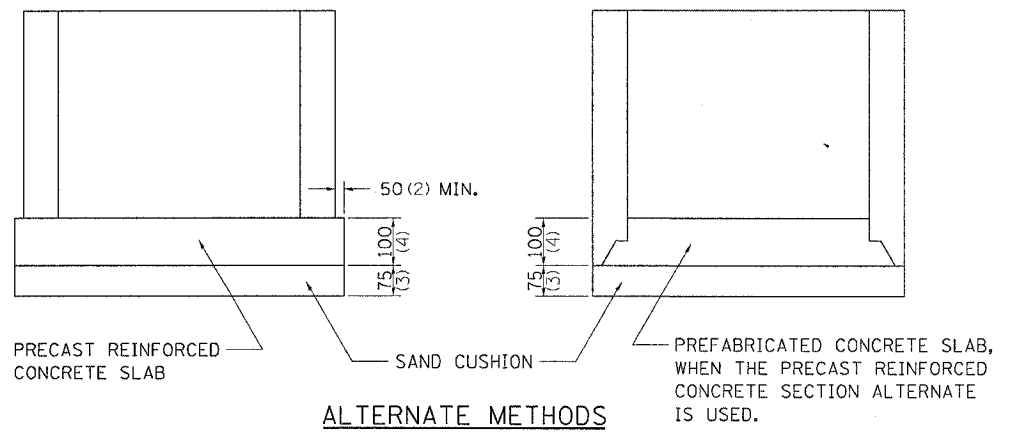
TOTAL WEIGHT: 127 Kg (280 lbs)



ALTERNATE MATERIALS FOR WALLS	T
BRICK MASONRY	200 (8)
CAST-IN-PLACE CONCRETE	150 (6)
CONCRETE MASONRY UNIT	125 (5)
PRECAST REINFORCED CONCRETE SECTION	75 (3)

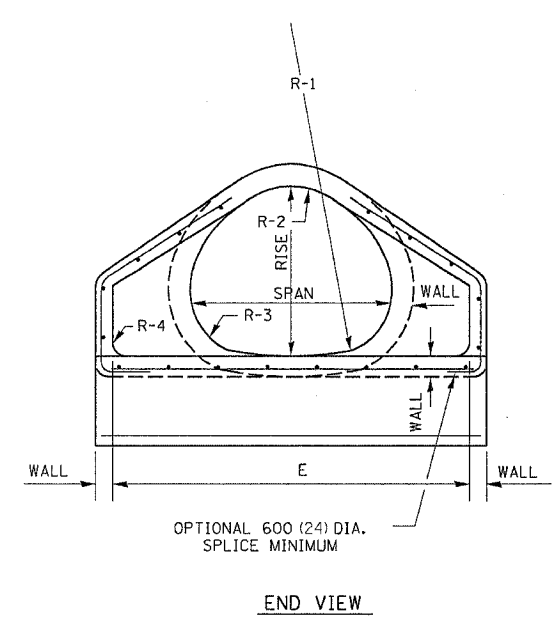
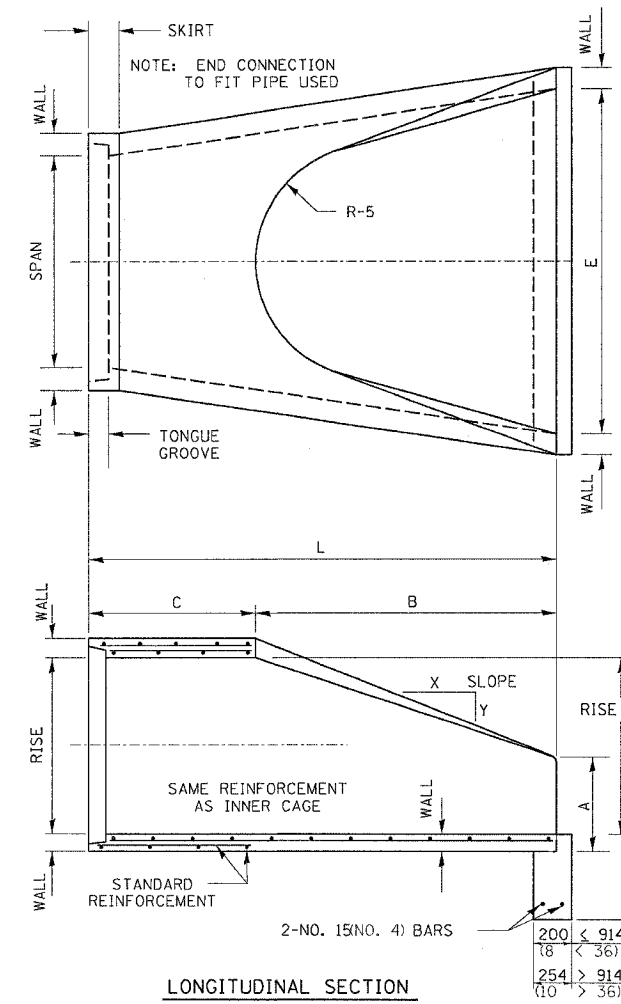
NOTE: THE FRAME AND LID IS REQUIRED ON ALL JUNCTION VAULTS.

ALL DIMENSIONS ARE IN MILLIMETERS (INCHES) UNLESS OTHERWISE NOTED.



PRECAST REINFORCED CONCRETE ARCH DIAMETER FLARED END SECTION

SIZE	WALL	SPAN	RISE	L	B	C	E	A	SLOPE	R-1	R-2	R-3	R-4	R-5
450 (18)	64 (2 1/2)	559 (22)	343 (13 1/2)	1829 (72)	686 (27)	1143 (45)	914 (36)	178 (7)	1:2.16	699 (27 1/2)	349 (13 3/4)	133 (5 1/4)	51 (2)	305 (12)
600 (24)	76 (3)	724 (28 1/2)	457 (18)	1829 (72)	991 (39)	838 (33)	1219 (48)	203 (8)	1:2.29	1033 (40 5/8)	370 (14 5/8)	117 (4 5/8)	76 (3)	356 (14)
750 (30)	89 (3 1/2)	921 (36 1/4)	572 (22 1/2)	1829 (72)	1219 (48)	610 (24)	1524 (60)	254 (10)	1:2.34	1295 (51)	476 (18 3/4)	156 (6 1/8)	76 (3)	381 (15)
900 (36)	102 (4)	1111 (43 3/4)	676 (26 5/8)	2438 (96)	1524 (60)	914 (36)	1828 (72)	270 (10 5/8)	1:2.4	1575 (62)	572 (22 1/2)	165 (6 1/2)	152 (6)	508 (20)
1050 (42)	114 (4 1/2)	1308 (51 1/4)	795 (31 1/8)	2438 (96)	1524 (60)	914 (36)	1981 (78)	402 (15 3/8)	1:2.35	1854 (73)	667 (26 1/4)	197 (7 3/4)	152 (6)	559 (22)
1200 (48)	127 (5)	1485 (58 1/2)	914 (36)	2438 (96)	1524 (60)	914 (36)	2134 (84)	533 (21)	1:2.31	2134 (84)	762 (30)	225 (8 3/8)	152 (6)	559 (22)
1350 (54)	140 (5 1/2)	1651 (65)	1016 (40)	2438 (96)	1524 (60)	914 (36)	2286 (90)	648 (25 1/2)	1:2.26	2350 (92 1/2)	848 (33 3/8)	254 (10)	152 (6)	610 (24)
1500 (60)	152 (6)	1854 (73)	1143 (45)	2438 (96)	1905 (75)	533 (21)	2438 (96)	660 (26)	1:2.34	2667 (105)	953 (37 1/2)	281 (11 1/8)	152 (6)	533 (21)
1800 (72)	178 (7)	2235 (88)	1371 (54)	2540 (100)	1981 (78)	559 (22)	3048 (120)	889 (35)	1:2.29	3200 (126)	1143 (45)	338 (13 3/8)	152 (6)	610 (24)



NOTES:
 PRECAST CONCRETE FLARED END SECTIONS SHALL CONFORM TO THE APPLICABLE REQUIREMENT OF AASHTO M-206.
 PRECAST CONCRETE FLARED END SECTION FOR PIPE ARCH DIAMETER REQUIRED SHALL BE AS INDICATED ON DETAIL PLAN FOR EACH INDIVIDUAL INSTALLATION.
 THE END BLOCK SHALL BE PLACED PRIOR TO THE INSTALLATION OF THE FLARED END SECTION. THE END BLOCK SHALL BE BACKFILLED IN ACCORDANCE WITH ART. 502.10 (502.11) OF THE STANDARD SPECIFICATIONS, COST INCIDENTAL TO END SECTION.
 ALL DIMENSIONS ARE IN MILLIMETERS (INCHES) UNLESS OTHERWISE NOTED.

PLOT DATE: 11/15/25 2005
 FILE NAME: c:\p0204933\084903.dwg
 PLOT SCALE: 50.0000 / IN.
 REFERENCE: *REF*