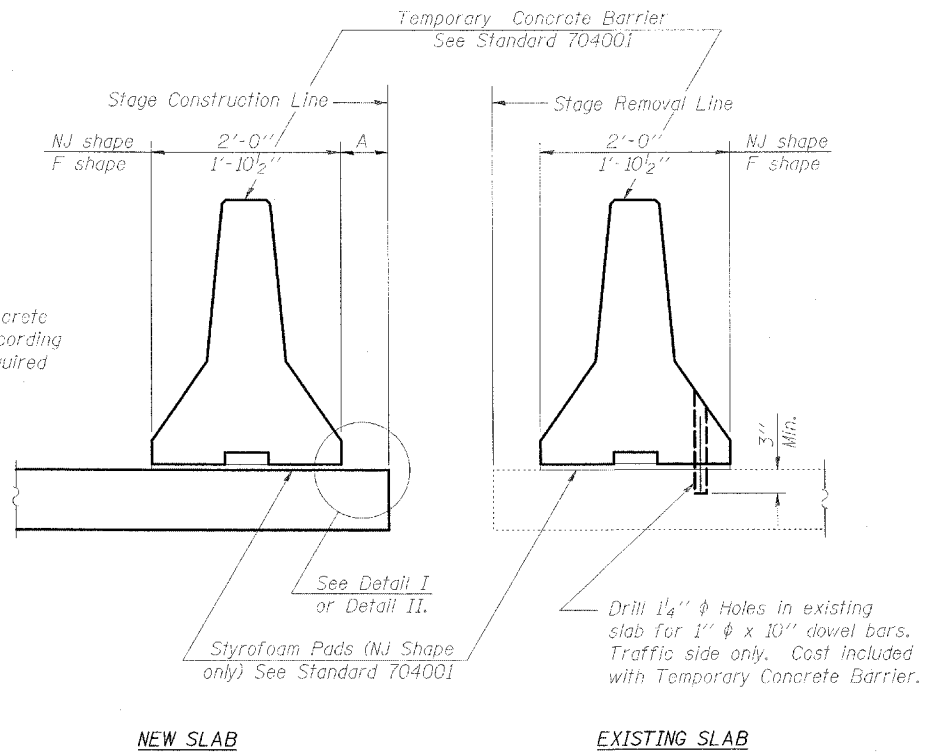


Contract #64A06

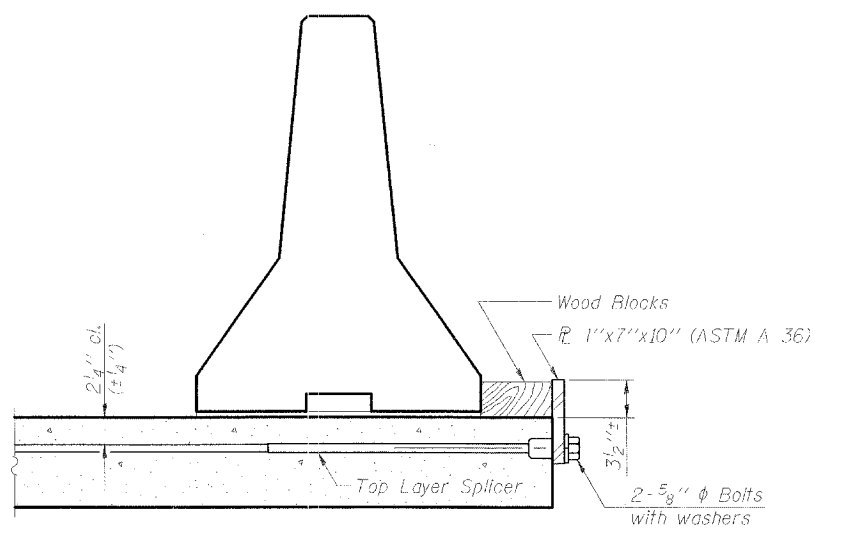


SECTIONS THRU SLAB

When "A" is 3'-6" or less, the temporary concrete barrier shall be anchored to the new slab according to Detail I or Detail II. No anchorage is required when "A" is greater than 3'-6".

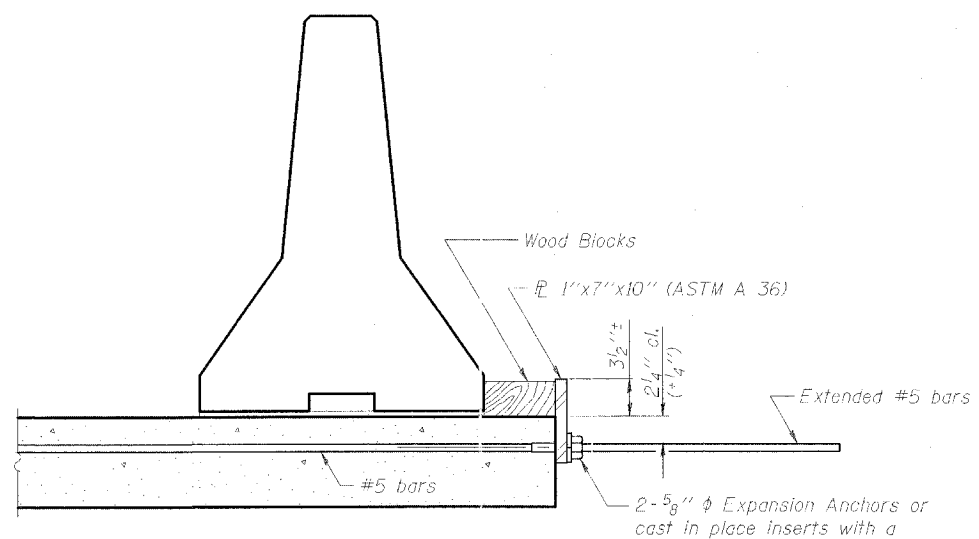
NOTES

- Detail I - With Bar Splicer or Couplers:**
Connect one (1) 1"x7"x10" steel plate to the top layer of couplers with 2-5/8" diameter bolts screwed to coupler at approximate center of each barrier panel.
- Detail II - With Extended Reinforcement Bars:**
Connect one (1) 1"x7"x10" steel plate to the concrete slab with 2-5/8" diameter Expansion Anchors or cast in place inserts spaced between the top layer of reinforcement at approximate center of each barrier panel.
- Cost of anchorage is included with Temporary Concrete Barrier.



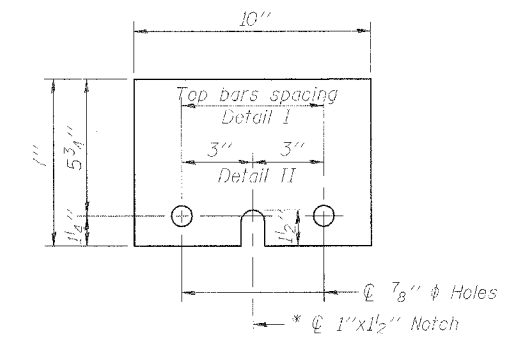
DETAIL I

The 1"x7"x10" Plate shall not be removed until Stage II Construction forms and reinforcement bars are in place.



DETAIL II

The 1"x7"x10" Plate shall not be removed until Stage II Construction forms and all reinforcement bars are in place and the concrete is ready to be placed.



1"x7"x10"

* Required only with Detail II

TEMPORARY CONCRETE BARRIER FOR STAGE CONSTRUCTION

F.A.P. ROUTE 68 (IL 23)
SECTION 29 BR-1
DEKALB COUNTY
STATION 876+47.59
STRUCTURE NO. 019-0007

Clark Dietz

CHAMPAIGN, ILLINOIS
CHICAGO, ILLINOIS
EVANSVILLE, INDIANA
INDIANAPOLIS, INDIANA
KENDSHA, WISCONSIN
SPRING GREEN, WISCONSIN

REVISIONS	
NAME	DATE

DESIGNED BY: S.H.D.	PROJECT NO. 102301
DRAWN BY: M.E.W.	DATE: 8/05
CHECKED BY: M.M.	
APPROVED BY: H.M.	
ACTIVITY: DETAILS	

DRAWING NUMBER
S-9