

Contract #64A06

NOTES

Bar splicer assemblies shall be of an approved type and shall develop in tension at least 125 percent of the yield strength of the lapped reinforcement bars.
 Splicer rods shall be of minimum 60 ksi yield strength, threaded or coiled full length.
 All reinforcement bars shall be lapped and tied to the splicer rods or dowel bars.
 Bar splicer assemblies shall be epoxy coated according to the requirements for reinforcement bars.
 Other systems of similar design may be submitted to the Engineer for approval. Approval shall be based on certified test results from an approved testing laboratory that the proposed bar splicer assembly satisfies the following requirements:

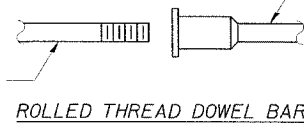
- ① Minimum Capacity (Tension in kips) = $1.25 \times f_y \times A_1$
- ② Minimum *Pull-out Strength (Tension in kips) = $1.25 \times f_{s_{allow}} \times A_1$

Where f_y = Yield strength of lapped reinforcement bars in ksi.
 $f_{s_{allow}}$ = Allowable tensile stress in lapped reinforcement bars in ksi (Service Load)
 A_1 = Tensile stress area of lapped reinforcement bars.
 * = 28 day concrete

Bar Size to be Spliced	Splicer Rod or Dowel Bar Length	Strength Requirements	
		Min. Capacity kips - tension	Min. Pull-Out Strength kips - tension
#4	1'-8"	14.7	5.9
#5	2'-0"	23.0	9.2
#6	2'-7"	33.1	13.3
#7	3'-5"	45.1	18.0
#8	4'-6"	58.9	23.6
#9	5'-9"	75.0	30.0
#10	7'-3"	95.0	38.0
#11	9'-0"	117.4	46.8

Bar splicer assemblies shall be according to Section 508 of the Standard Specifications, except as noted. The furnishing and installation of bar splicer assemblies will be measured and paid for at the contract unit price each for "BAR SPLICERS."

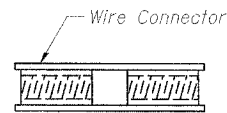
The diameter of this part is equal or larger than the diameter of bar spliced.



ROLLED THREAD DOWEL BAR



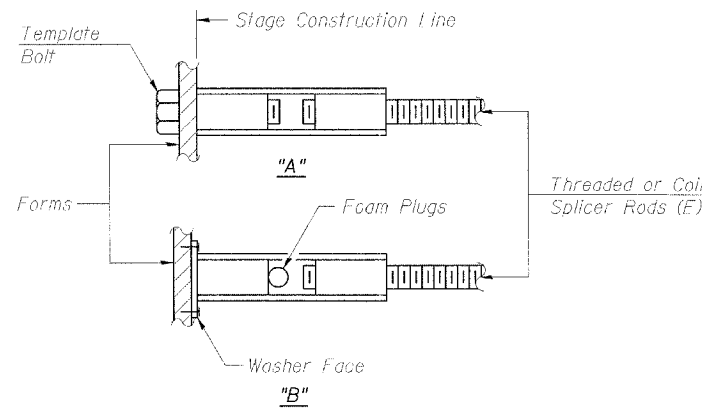
** ONE PIECE



WELDED SECTIONS

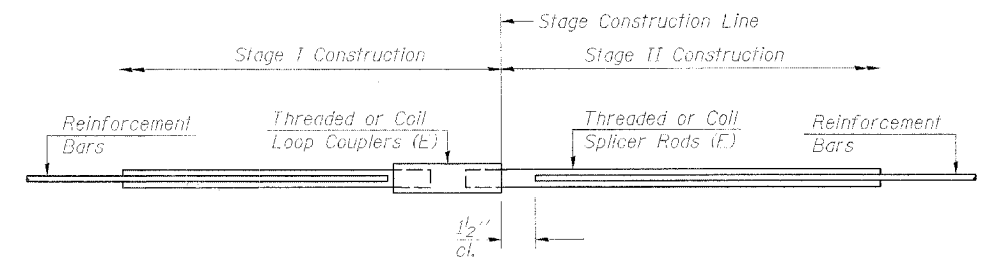
BAR SPLICER ASSEMBLY ALTERNATIVES

** Heavy Hex Nuts conforming to ASTM A 563, Grade C, D or DH may be used.



INSTALLATION AND SETTING METHODS

"A" : Set bar splicer assembly by means of a template bolt.
 "B" : Set bar splicer assembly by nailing to wood forms or cementing to steel forms.
 (E) : Indicates epoxy coating.



STANDARD

Bar Size	No. Assemblies Required	Location
4	56	Overlay

BAR SPLICER ASSEMBLY DETAILS

F.A.P. ROUTE 68 (IL 23)
 SECTION 29 BR-1
 DEKALB COUNTY
 STATION 876+47.59
 STRUCTURE NO. 019-0007

CHAMPAIGN, ILLINOIS
 CHICAGO, ILLINOIS
 EVANSVILLE, INDIANA
 INDIANAPOLIS, INDIANA
 KENOSHA, WISCONSIN
 SPRING GREEN, WISCONSIN

Clark Dietz

NOTE: DIMENSIONAL DATA IS TO BE OBTAINED BY READING AND POSITION OF THIS DRAWING.

REVISIONS
 NAME DATE

DESIGNED BY: S.L.D. PROJECT NO: 182387
 DRAWN BY: M.E.W. DATE: 8/2/95
 CHECKED BY: M.M.
 APPROVED BY: M.M.
 ACTIVITY: DETAILS

DRAWING NUMBER
S-10