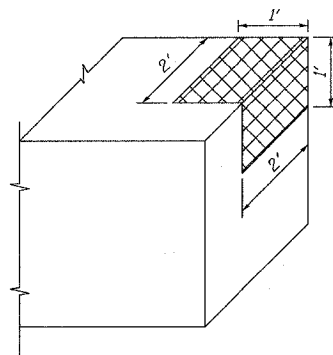


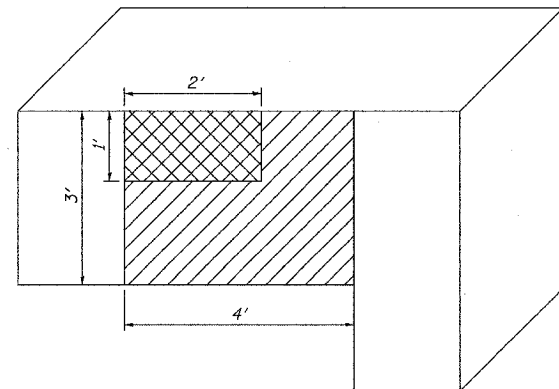
STATE OF ILLINOIS
DEPARTMENT OF TRANSPORTATION

ROUTE NO.	SECTION	COUNTY	TOTAL SHEETS	SHEET NO.	SHEET NO. 9
S.S.L.	*	Ogle	40	24	11 SHEETS
F.A.P.					
FED. ROAD DIST. NO. 7	ALLIGER	FED. AID PROJECT			

* Section 119BR-3 Contract #64A47



**PIER CAP
NORTH END**
(Looking East)



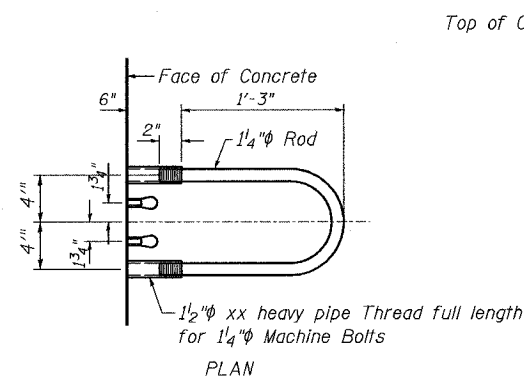
**PIER CAP
SOUTH END**
(Looking East)



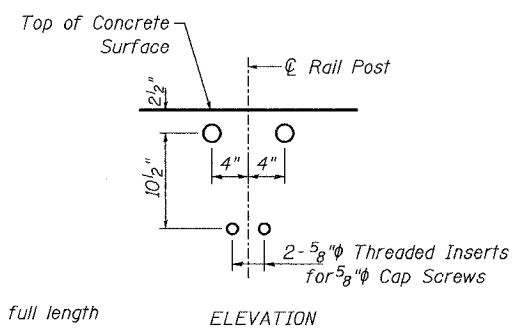
Formed Concrete Repair Depth Equal to or < 5"



Formed Concrete Repair Depth Greater Than 5"



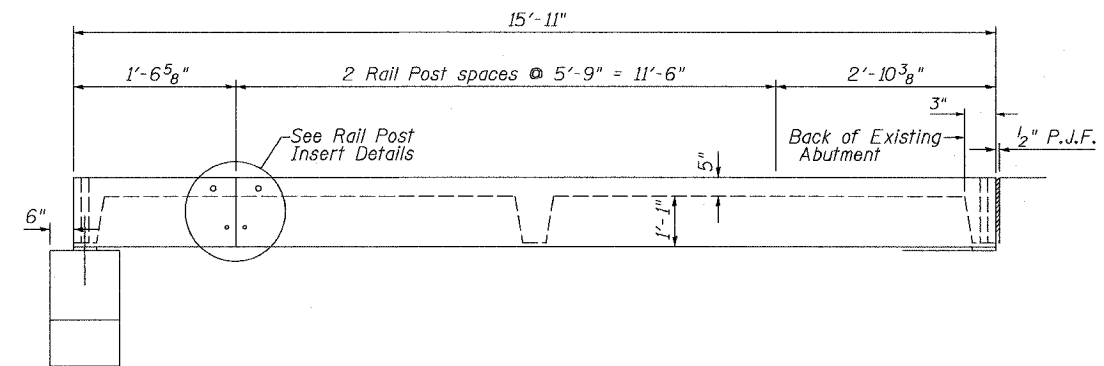
PLAN



ELEVATION

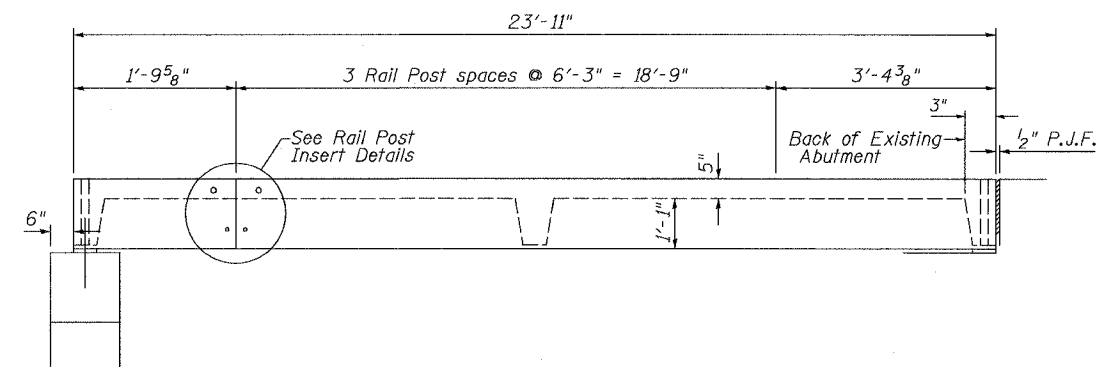
**EXISTING APPROACH SLAB
RAIL POST INSERT DETAILS**

(For Information Only)



EXISTING APPROACH SLAB SIDE ELEVATION

(For Information Only)



EXISTING APPROACH SLAB SIDE ELEVATION

(For Information Only)

BILL OF MATERIAL

ITEM	UNIT	TOTAL
Formed Concrete Repair (Depth Equal to or Less Than 5 Inches)	Sq. Ft.	10
Formed Concrete Repair (Depth Greater Than 5 Inches)	Sq. Ft.	6

CONCRETE REPAIR DETAILS
F.A.P. 553 (IL 72)
OVER STILLMAN CREEK
SECTION 119BR-3
OGLE COUNTY
STR. NO. 071-0042

DESIGNED	SB
CHECKED	RB
DRAWN	BH, BS
CHECKED	SB