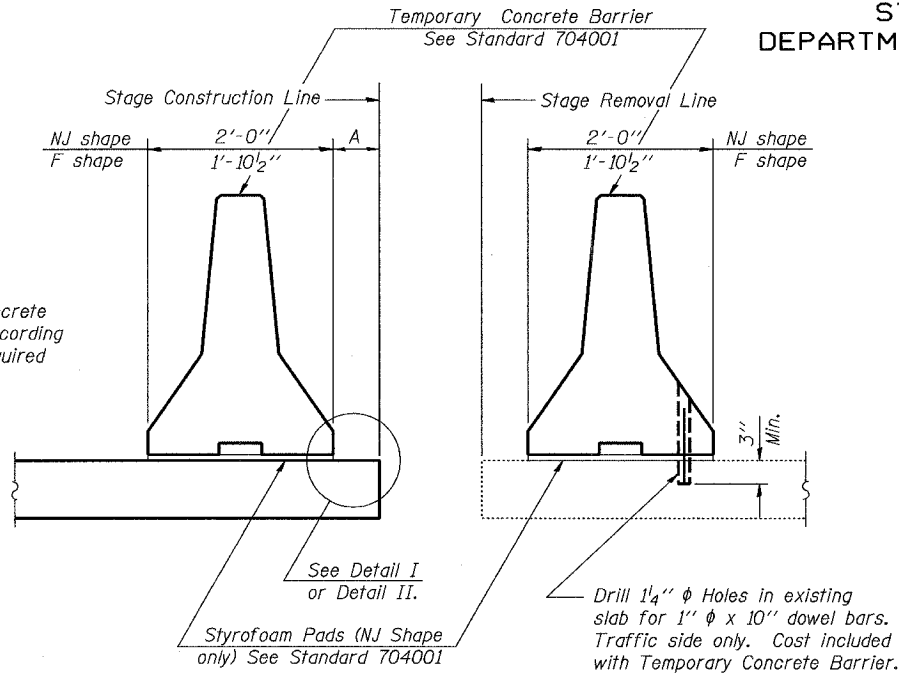


STATE OF ILLINOIS  
DEPARTMENT OF TRANSPORTATION

|                      |          |                  |              |       |              |
|----------------------|----------|------------------|--------------|-------|--------------|
| ROUTE NO.            | SECTION  | COUNTY           | TOTAL SHEETS | SHEET | SHEET NO. 10 |
| S.B.S.               | *        | Ogle             | 40           | 25    | 11 SHEETS    |
| F.A.P.               |          |                  |              |       |              |
| FED. AID DIST. NO. 7 | ILLINOIS | FED. AID PROJECT |              |       |              |

\* Section 119BR-3 Contract #64A47

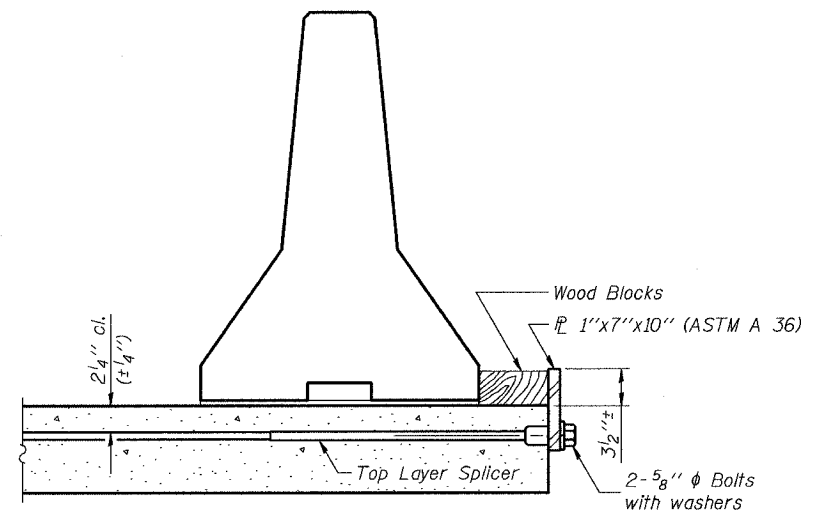


When "A" is 3'-6" or less, the temporary concrete barrier shall be Anchored to the new slab according to Detail I or Detail II. No anchorage is required when "A" is greater than 3'-6".

NEW SLAB

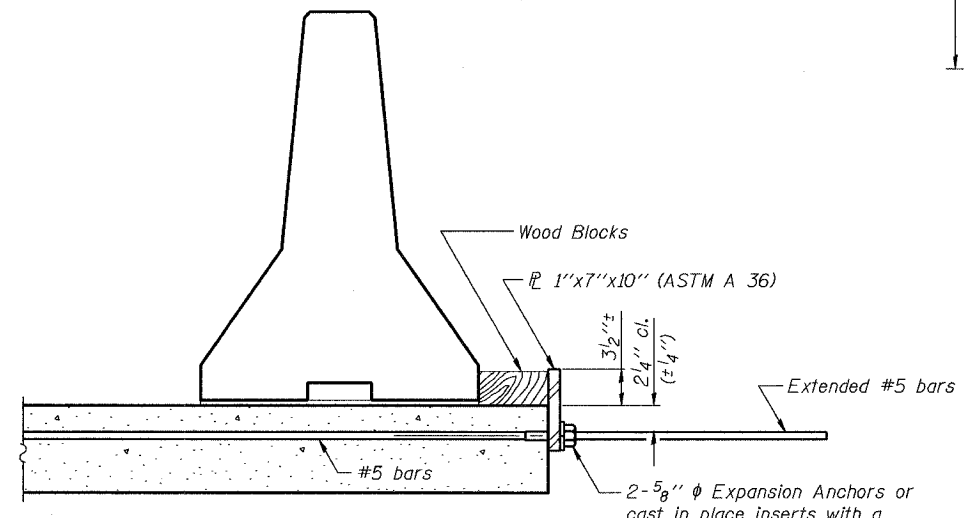
EXISTING SLAB

SECTIONS THRU SLAB



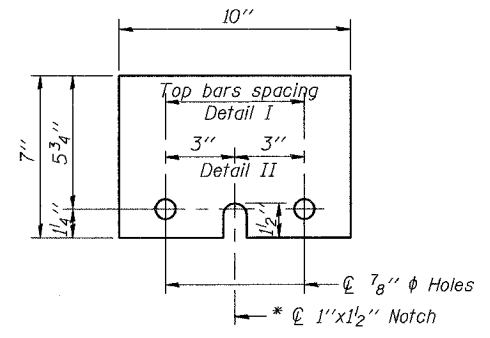
DETAIL I

The 1"x7"x10" Plate shall not be removed until Stage II Construction forms and reinforcement bars are in place.



DETAIL II

The 1"x7"x10" Plate shall not be removed until Stage II Construction forms and all reinforcement bars are in place and the concrete is ready to be placed.



1" x 7" x 10"

\* Required only with Detail II

|          |
|----------|
| DESIGNED |
| CHECKED  |
| DRAWN    |
| CHECKED  |

R-27 10-31-02

TEMPORARY CONCRETE BARRIER  
FOR STAGE CONSTRUCTION  
F.A.P. 553 (IL 72)  
OVER STILLMAN CREEK  
SECTION 119BR-3  
OGLE COUNTY  
STR. NO. 071-0042