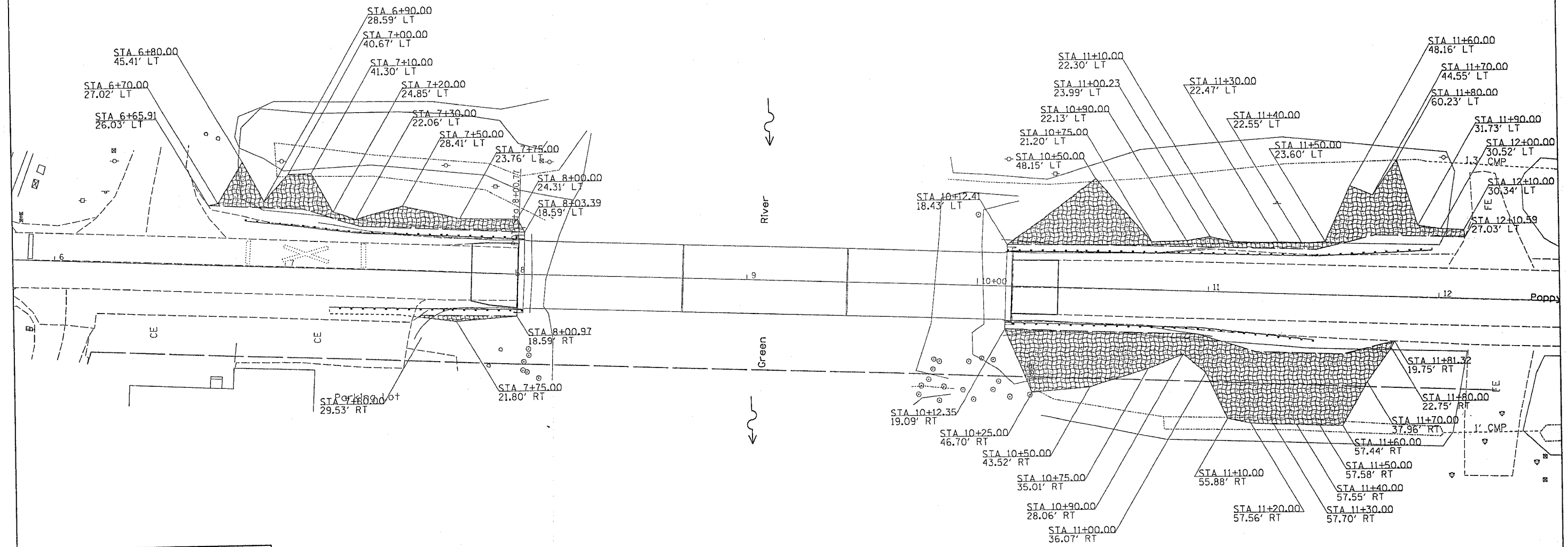


EROSION CONTROL DETAILS

CONTRACT NO. 64B10				
F.A.U. NO.	SECTION	COUNTY	TOTAL SHEETS	SHEET NO.
5862	2BR-1	HENRY	26	9
STA.		TO STA.		
FED. ROAD DIST. NO.		ILLINOIS FED. AID PROJECT		



LEGEND	
	= SEEDING
	= EROSION CONTROL BLANKET
	= PERIMETER EROSION BARRIER

PLOT DATE = Fri, Sep 02 14:53:27 2005
 FILE NAME = c:\projects\64b10\285\07285-09.dgn
 PLOT SCALE = 20.0000' / 1" IN.
 USER NAME = mgj111

REVISIONS	
NAME	DATE

ILLINOIS DEPARTMENT OF TRANSPORTATION

SCALE: VERT. _____
 DATE _____ HORIZ. _____

DRAWN BY _____
 CHECKED BY _____

EROSION CONTROL DETAILS