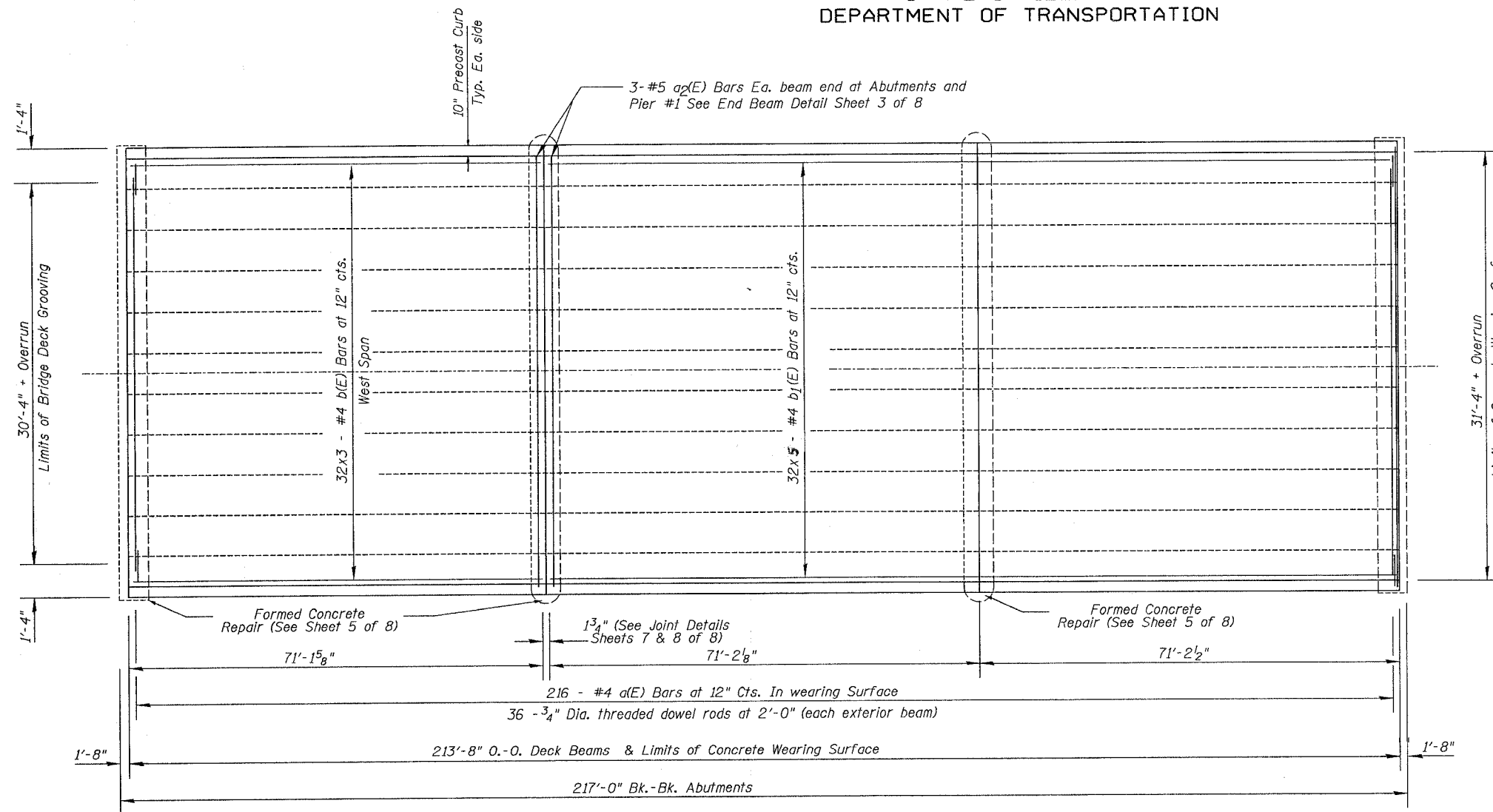


STATE OF ILLINOIS
DEPARTMENT OF TRANSPORTATION

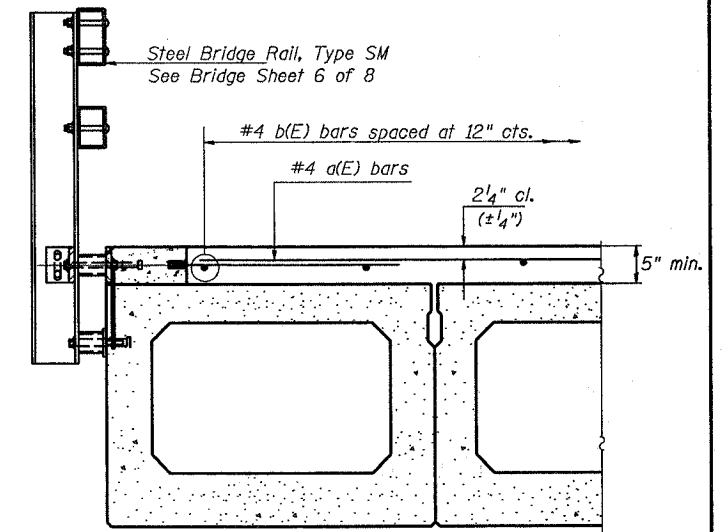
ROUTE NO.	SECTION	COUNTY	DATE	SHEET	SHEET NO. 2
F.A.U.	*	Henry	26	11	8 SHEETS
FED. ROAD DIST. NO. 7	ILLINOIS	FED. AID PROJECT			

* Section 2BR-1 Contract #64B10

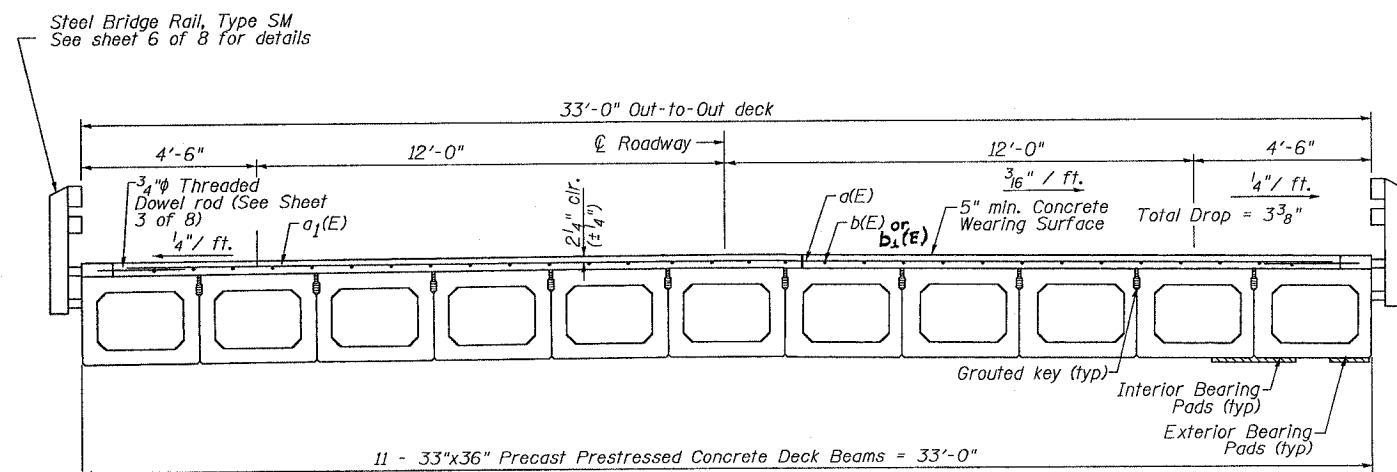


DECK PLAN

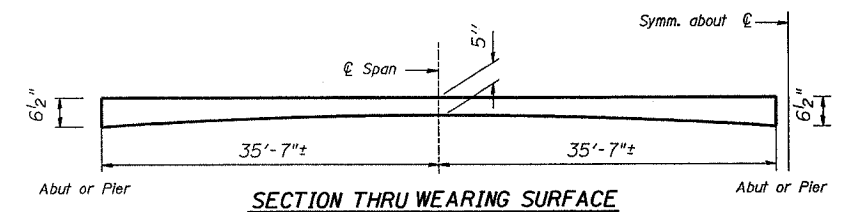
MIN. BAR LAP
#4 Bar = 1'-4"



SECTION THRU DECK EDGE



CROSS SECTION
(Looking East)



BILL OF MATERIAL - SUPERSTRUCTURE

Bar	Size	Number	Length	Shape
a(E)	#4	216	28'-6"	---
b(E)	#4	96	24'-9"	---
a ₂ (E)	#5	12	32'-6"	---
b ₁ (E)	#4	160	29'-9"	---
ITEM		UNIT	TOTAL	
Removal of Existing Superstructures		Each	1	
Bridge Deck Grooving		Sq Yd	721	
Concrete Wearing Surface		Sq Yd	744	
Reinforcement Bars (Epoxy Coated)		Pound	9290	

Reinforcement bars designated (E) shall be epoxy coated.
Bars indicated thus 32x4 - #4 etc. indicates 32 lines of bars with 4 lengths per line.

DECK OVERLAY DETAILS
F.A.U. 5862 (POPPY GARDEN RD)
OVER GREEN RIVER
SECTION 2BR-1
HENRY COUNTY
STR. NO. 037-0127

DESIGNED	SB
CHECKED	RB
DRAWN	DB, BS
CHECKED	SB