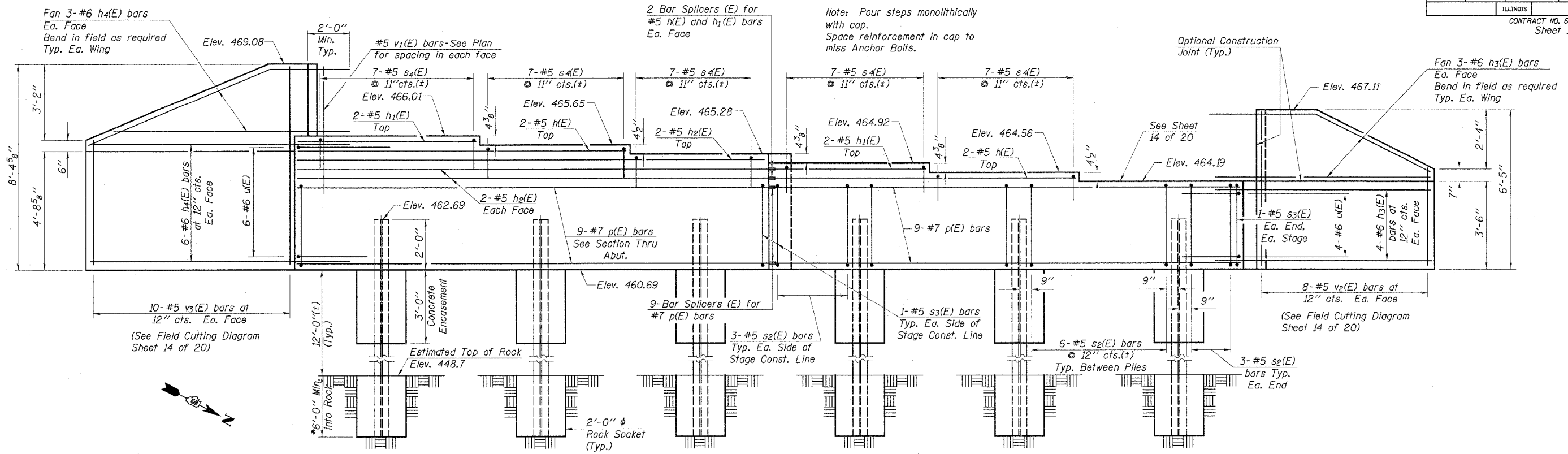


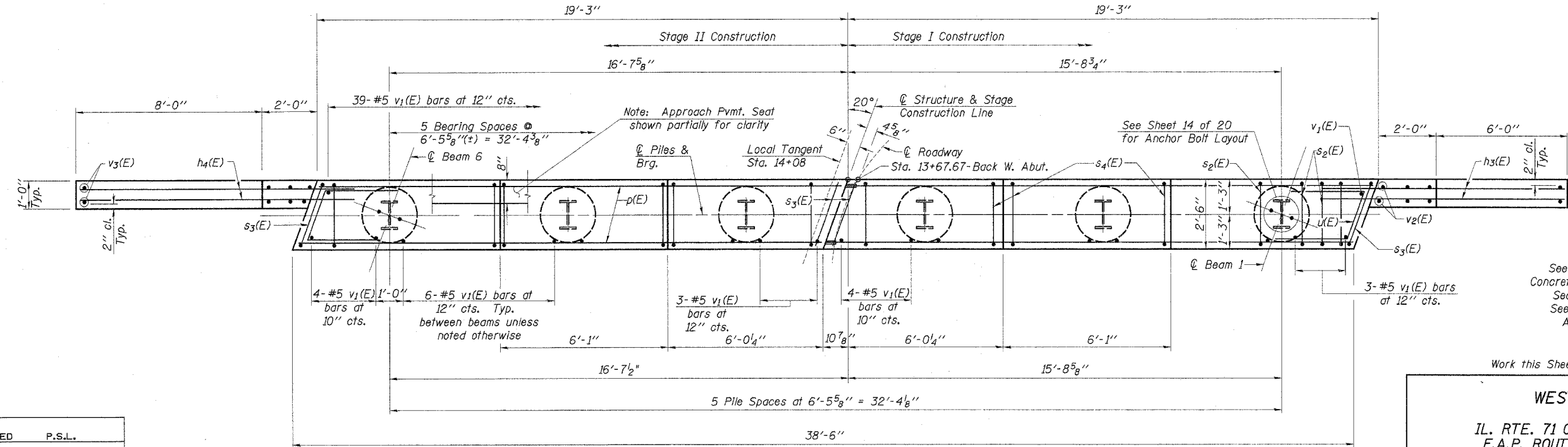
ROUTE NO.	SECTION	COUNTY	TOTAL SHEETS	SHEET NO.
F.A.P. 627	IBR	LaSALLE	46	26

ILLINOIS
CONTRACT NO. 66364
Sheet 12 of 20



ELEVATION

*Concrete included in price for Setting Piles in Rock. See Special Provisions.



PLAN

See Sheet 14 of 20 for Concrete Encasement Details & Section Thru Abutment
See Sheet 11 of 20 for Anchor Bolt Details

Work this Sheet with Sheet 14 of 20

DESIGNED	P.S.L.
CHECKED	A.R.K. & F.J.S.
DRAWN	K.T.R.
CHECKED	P.S.L. & A.R.K.

WEST ABUTMENT

IL. RTE. 71 OVER UNNAMED STREAM
F.A.P. ROUTE 627 - SECTION IBR
LaSALLE COUNTY
STA. 14+08.00
STR. NO. 050-0244

4440 ASH GROVE SPRINGFIELD, IL 62711 (217) 793-6900 oasinc@famvid.com	OZYURT AND STONE, INC. CONSULTING ENGINEERS	JOB NO.: 0306.4 FILE: ABUT02.DGN DATE: 08-31-04
--	---	---