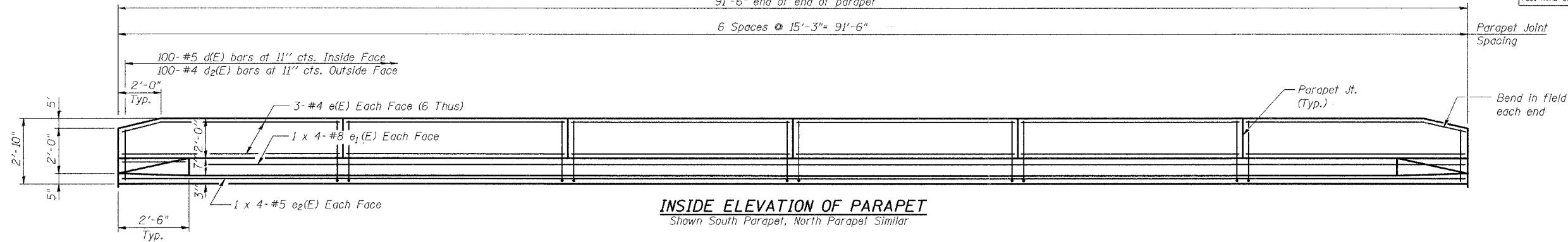


STATE OF ILLINOIS
DEPARTMENT OF TRANSPORTATION

91'-6" end of parapet

6 Spaces @ 15'-3" = 91'-6"

SECTION	COUNTY	TOTAL SHEETS	SHEET NO.	SHEET NO.
IL 113	109BR, N	KANKAKEE COUNTY	58	22
FED. ROAD DIST. NO. 7	ILLINOIS	FED. AID PROJECT-	CONTRACT # 56410	



**SUPERSTRUCTURE
BILL OF MATERIAL**

Bar	No.	Size	Length	Shape	
a(E)	142	#5	34'-8"	—	
a ₁ (E)	106	#5	33'-0"	—	
a ₂ (E)	140	#6	4'-6"	—	
a ₃ (E)	8	#5	21'-0"	—	
b(E)	152	#5	23'-6"	—	
b ₁ (E)	155	#5	19'-3"	—	
d(E)	200	#5	3'-0"	┌	
d ₁ (E)	186	#4	2'-5"	┌	
d ₂ (E)	200	#4	3'-0"	┌	
d ₃ (E)	198	#4	3'-7"	┌	
d ₄ (E)	12	#4	2'-2"	┌	
e(E)	72	#4	15'-0"	—	
e ₁ (E)	16	#8	26'-3"	—	
e ₂ (E)	16	#5	24'-6"	—	
m(E)	32	#6	21'-5"	—	
m ₁ (E)	20	#6	6'-6"	—	
m ₂ (E)	8	#6	2'-9"	—	
m ₃ (E)	24	#6	9'-7"	—	
s(E)	72	#4	8'-4"	┌	
s ₁ (E)	62	#5	9'-6"	┌	
u(E)	82	#4	3'-9"	┌	
v(E)	66	#5	3'-8"	┌	
Reinforcement Bars, Epoxy Coated				Pound	23,890
Concrete Superstructure				Cu. Yds.	129

Reinforcement bars designated (E) shall be epoxy coated.
Bars indicated thus 1 x2 -#5 etc. indicates 1 line of bars with 2 lengths per line.

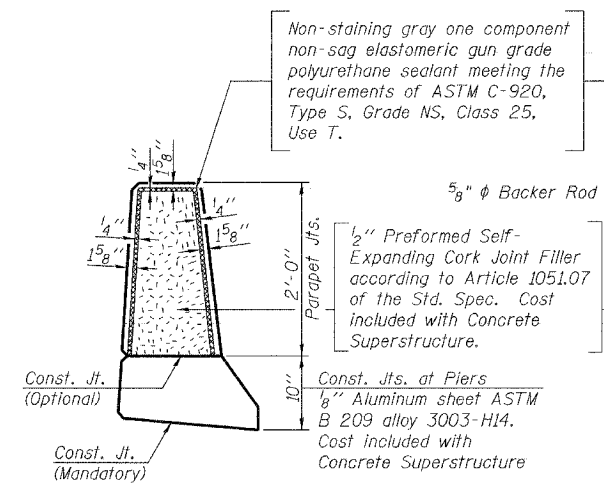
PARAPET MIN. BAR LAPS

- #4 - 1'-8"
- #5 - 2'-2"
- #8 - 4'-6"

SUPERSTRUCTURE DETAILS

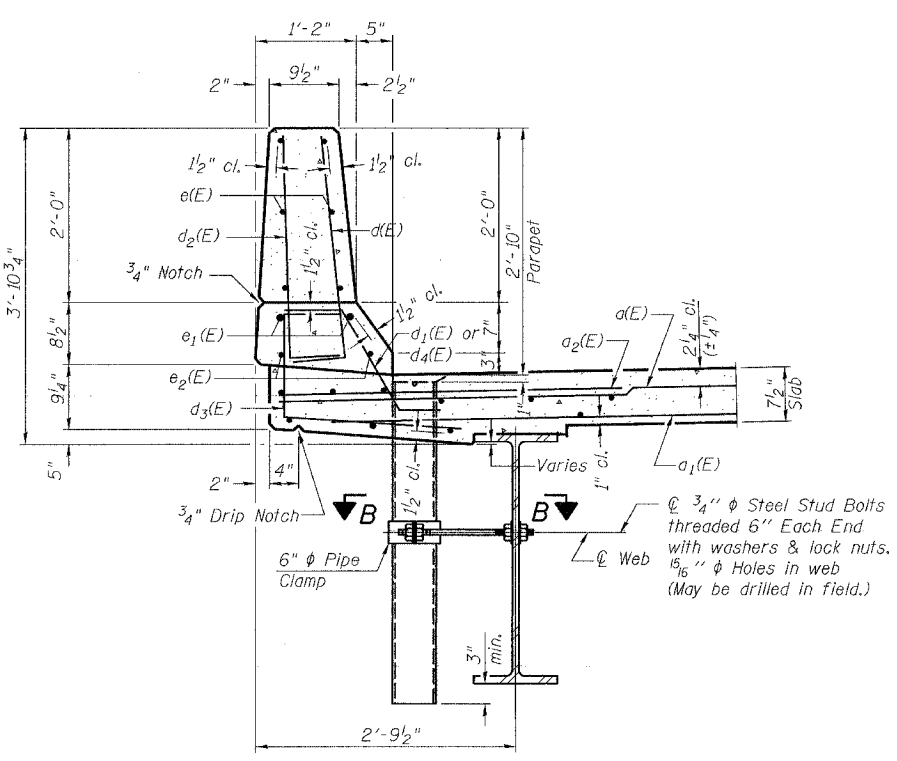
IL 113 OVER WILEY CREEK (PUBLIC WATERS)
FAS ROUTE 1317 (IL 113), SECTION 109BR, N
KANKAKEE COUNTY
STATION 260+00.00
STRUCTURE NO. 046-0137

SCALE: NONE DATE: AUGUST, 2005
Soodan & Associates, Inc.
100 North LaSalle Street, Suite 1800
Chicago, Illinois 60602

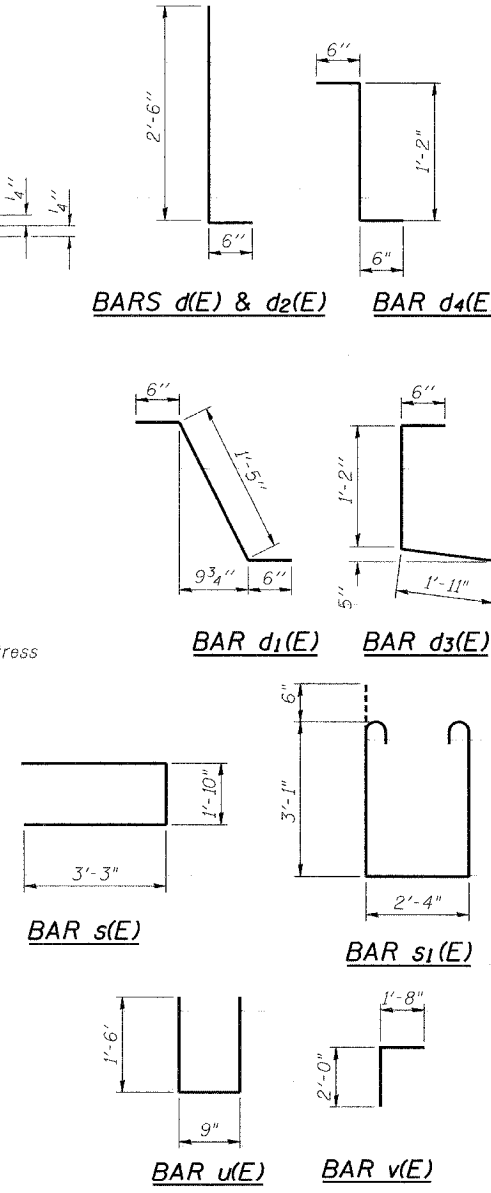
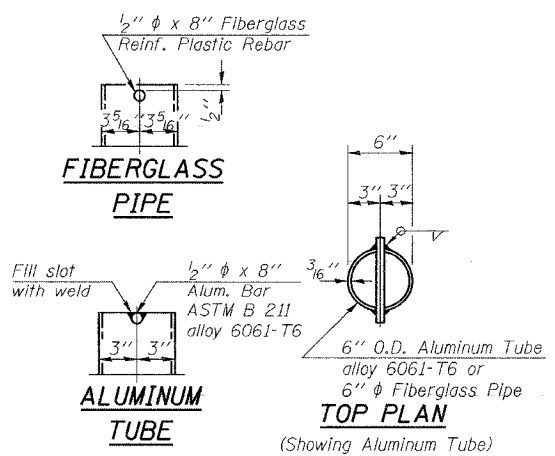
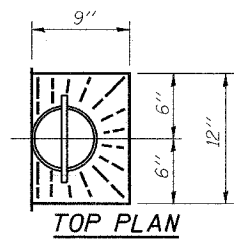
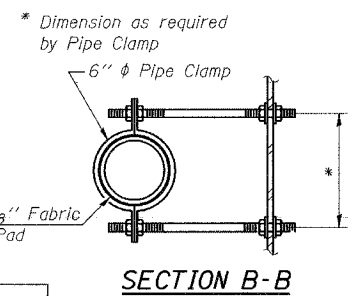


PARAPET JOINT DETAILS

Notes:
Floor drains need not be painted.
Fiberglass pipe shall conform to ASTM D 2996, with short-time rupture strength hoop tensile stress of 30,000 p.s.i. minimum.



SECTION THRU PARAPET



DESIGNED	M.R./R.A.
CHECKED	H.T.
DRAWN	J.S.
CHECKED	H.T./M.R.