

STATE OF ILLINOIS  
DEPARTMENT OF TRANSPORTATION

SECTION	COUNTY	TOTAL SHEETS	SHEET NO.	SHEET NO. 12
IL 113	109BR, N	KANKAKEE COUNTY	58	29
FED. ROAD DIST. NO. 7	ILLINOIS	FED. AID PROJECT-	14 SHEETS	
CONTRACT # 66410				

**NOTES**

Bar splicer assemblies shall be of an approved type and shall develop in tension at least 125 percent of the yield strength of the lapped reinforcement bars.  
Splicer rods shall be of minimum 60 ksi yield strength, threaded or coiled full length.  
All reinforcement bars shall be lapped and tied to the splicer rods or dowel bars.  
Bar splicer assemblies shall be epoxy coated according to the requirements for reinforcement bars.  
Other systems of similar design may be submitted to the Engineer for approval. Approval shall be based on certified test results from an approved testing laboratory that the proposed bar splicer assembly satisfies the following requirements:

- ① Minimum Capacity (Tension in kips) =  $1.25 \times f_y \times A_l$
- ② Minimum \*Pull-out Strength (Tension in kips) =  $1.25 \times f_{s_{allow}} \times A_l$

Where  $f_y$  = Yield strength of lapped reinforcement bars in ksi.  
 $f_{s_{allow}}$  = Allowable tensile stress in lapped reinforcement bars in ksi (Service Load)  
 $A_l$  = Tensile stress area of lapped reinforcement bars.  
\* = 28 day concrete

Bar Size to be Spliced	Splicer Rod or Dowel Bar Length	Strength Requirements	
		Min. Capacity kips - tension	Min. Pull-Out Strength kips - tension
#4	1'-8"	14.7	5.9
#5	2'-0"	23.0	9.2
#6	2'-7"	33.1	13.3
#7	3'-5"	45.1	18.0
#8	4'-6"	58.9	23.6
#9	5'-9"	75.0	30.0
#10	7'-3"	95.0	38.0
#11	9'-0"	117.4	46.8

Bar splicer assemblies shall be according to Section 508 of the Standard Specifications, except as noted. The furnishing and installation of bar splicer assemblies will be measured and paid for at the contract unit price each for "BAR SPLICERS."

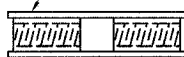
The diameter of this part is the same as the diameter of the bar spliced.

**ROLLED THREAD DOWEL BAR**



\*\* ONE PIECE

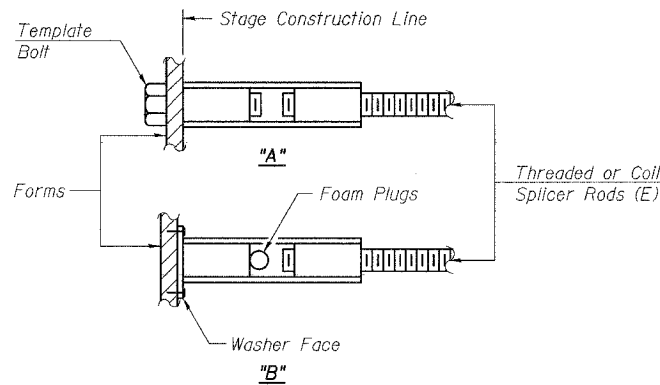
Wire Connector



WELDED SECTIONS

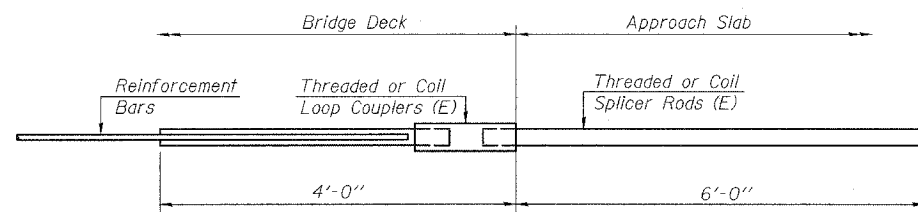
**BAR SPLICER ASSEMBLY ALTERNATIVES**

\*\* Heavy Hex Nuts conforming to ASTM A 563, Grade C, D or DH may be used.



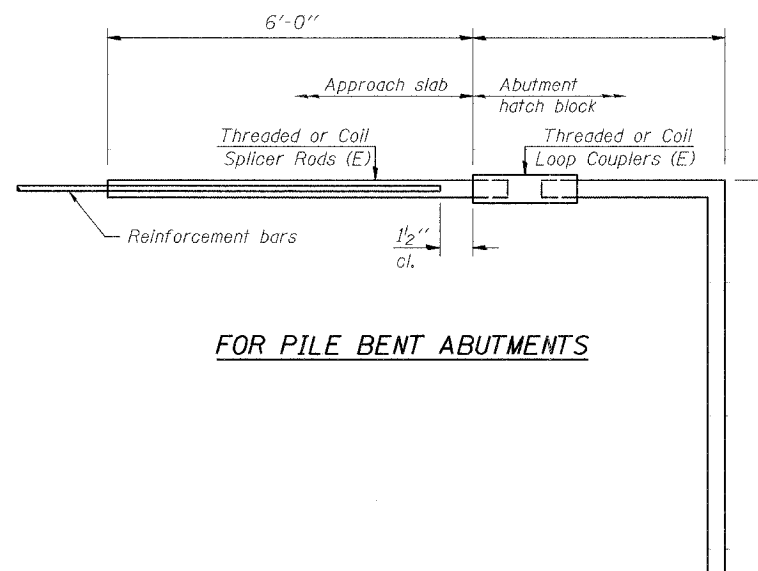
**INSTALLATION AND SETTING METHODS**

"A" : Set bar splicer assembly by means of a template bolt.  
"B" : Set bar splicer assembly by nailing to wood forms or cementing to steel forms.  
(E) : Indicates epoxy coating.



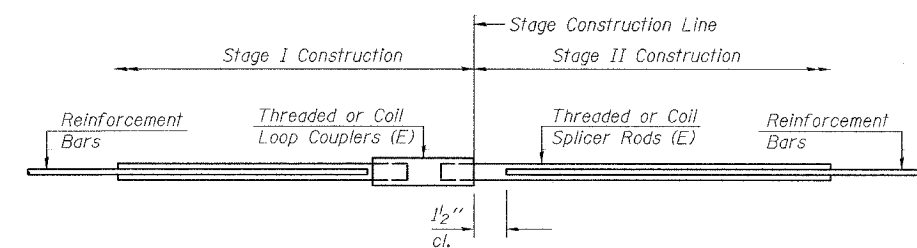
**FOR INTEGRAL OR SEMI-INTEGRAL ABUTMENTS**

Bar Splicer for #5 bar	
Min. Capacity = 23.0 kips - tension	
Min. Pull-out Strength = 9.2 kips - tension	
No. Required = 64	



**FOR PILE BENT ABUTMENTS**

Bar Splicer for #5 bar	
Min. Capacity = 23.0 kips - tension	
Min. Pull-out Strength = 9.2 kips - tension	
No. Required =	



**STANDARD**

Bar Size	No. Assemblies Required	Location

DESIGNED	M.R./R.A.
CHECKED	H.T.
DRAWN	J.S.
CHECKED	H.T./M.R.

BSD-1 9-01-03

**BAR SPLICER DETAILS**

IL 113 OVER WILEY CREEK (PUBLIC WATERS)  
FAS ROUTE 1317 (IL 113), SECTION 109BR, N  
KANKAKEE COUNTY  
STATION 260+00.00  
STRUCTURE NO. 046-0137

SCALE: NONE DATE: AUGUST, 2005  
Soodan & Associates, Inc.  
100 North LaSalle Street, Suite 1800  
Chicago, Illinois 60602