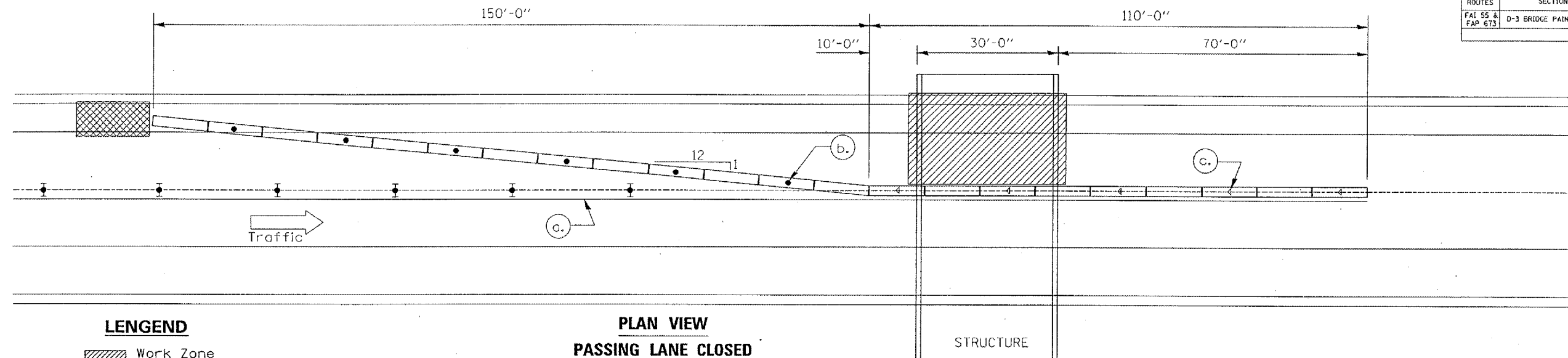


ROUTES	SECTION	COUNTY	TOTAL SHEETS	SHEET NO.
FAI 55 & AP 673	D-3 BRIDGE PAINTING 2005-2	LIVINGSTON	17	5
ILLINOIS				

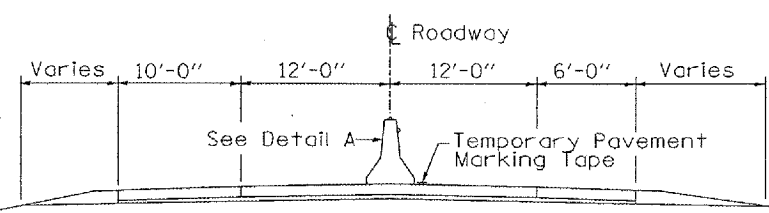


**LENGEND**

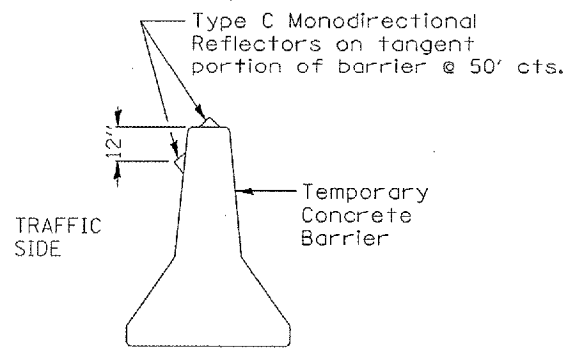
- Work Zone
- Type II barricade, drum or vertical barricade with steady burn monodirectional light
- Temporary concrete barrier
- Impact attenuator

**PLAN VIEW  
PASSING LANE CLOSED**

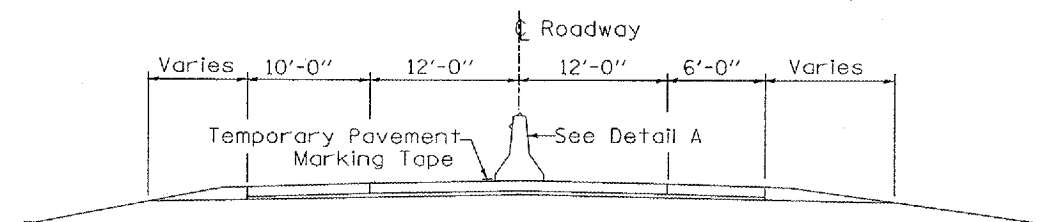
STRUCTURE



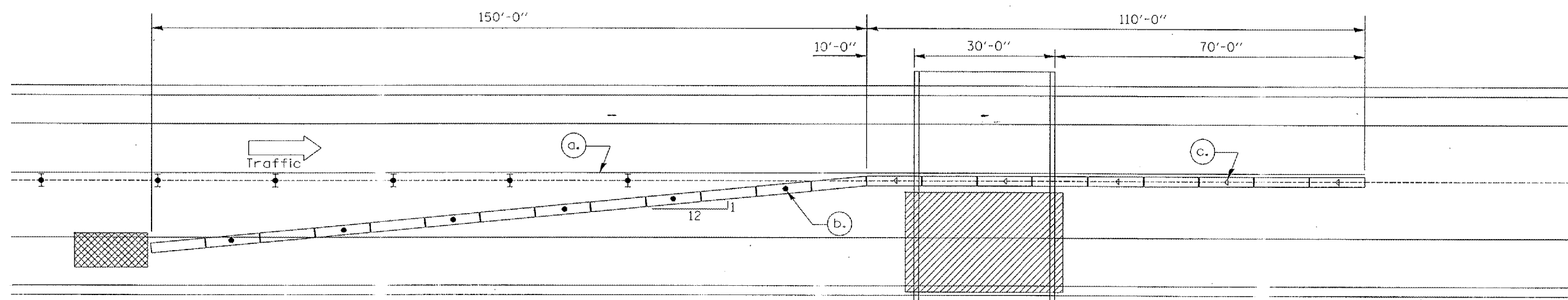
**ROADWAY SECTION  
DRIVING LANE CLOSED**



**DETAIL A**



**ROADWAY SECTION  
PASSING LANE CLOSED**



**PLAN VIEW  
DRIVING LANE CLOSED**

STRUCTURE

- (a) ReflectORIZED temporary pavement marking tape shall be placed throughout the taper and along side the work area. The edge line shall be white for right lane closure.
- (b) Vertical panels at 25' centers with steady burning
- (c) Type "C" monodirectional reflector

REVISIONS	
NAME	DATE

ILLINOIS DEPARTMENT OF TRANSPORTATION

**TRAFFIC CONTROL  
DETAILS**

**Work this sheet with Traffic Control Standards 701402**

Date: 03/23/05  
c:/projects/bridgepaint05/bp2005-2/details.dgn