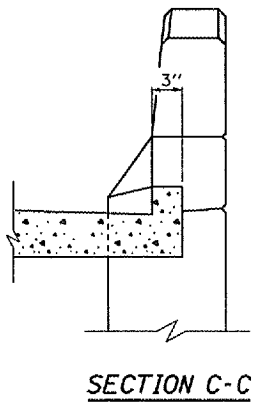
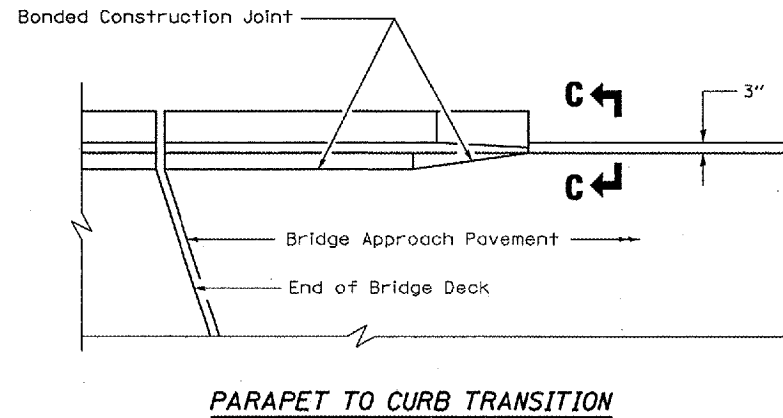
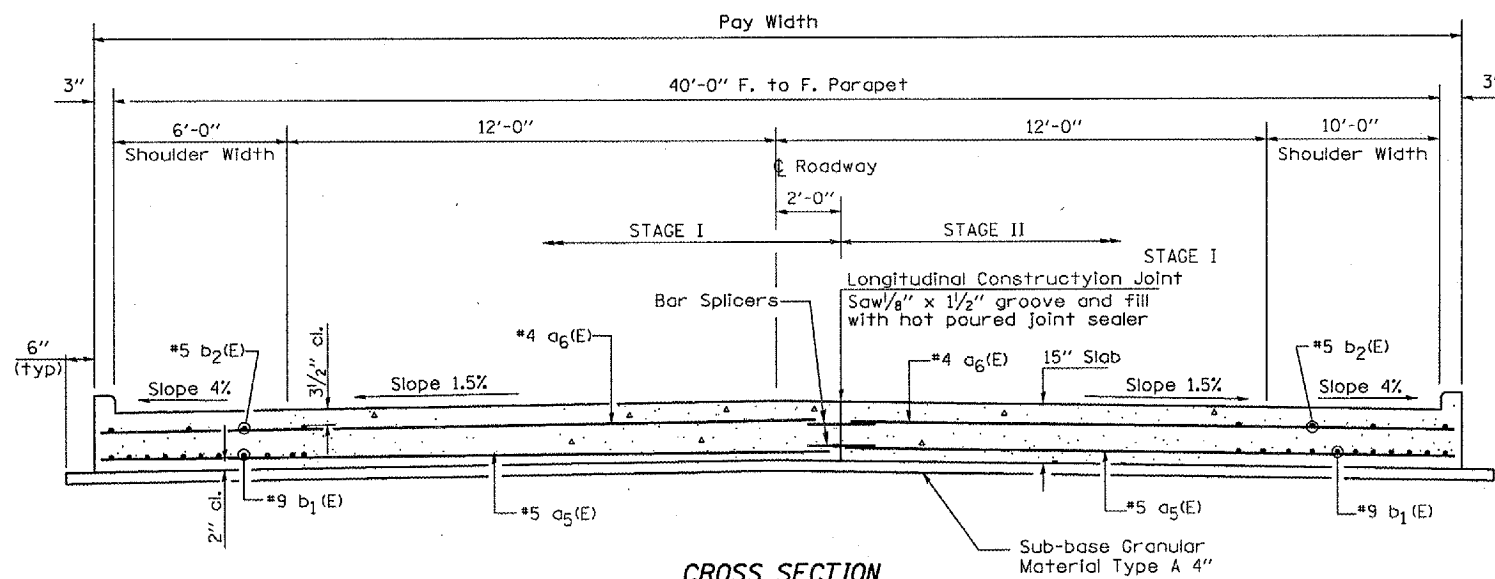
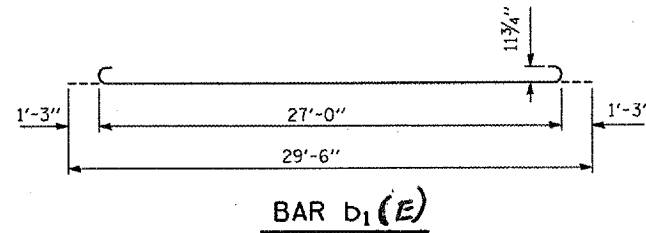
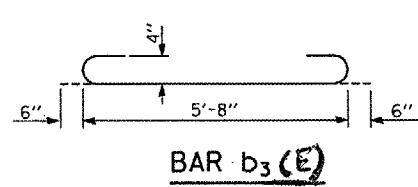
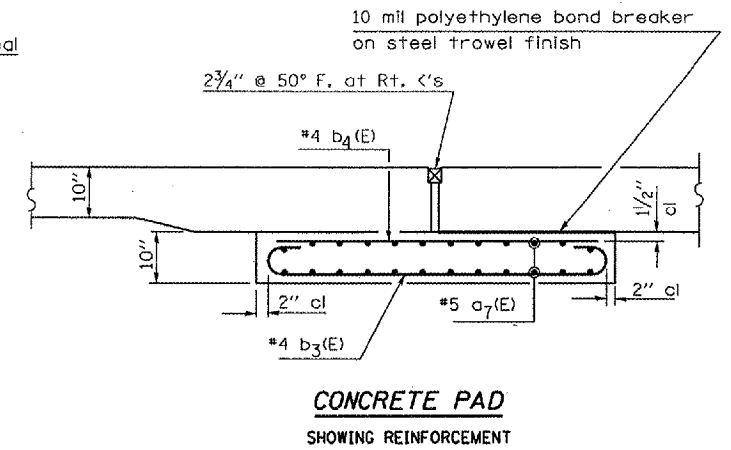
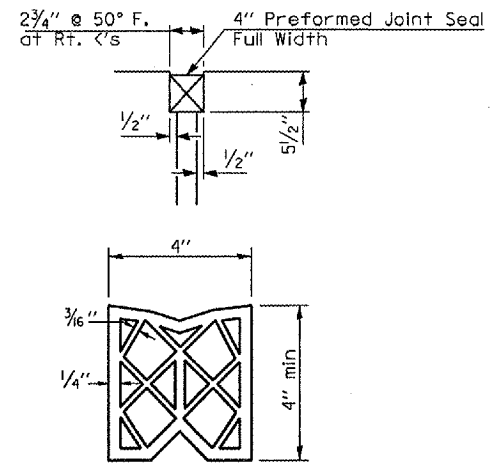
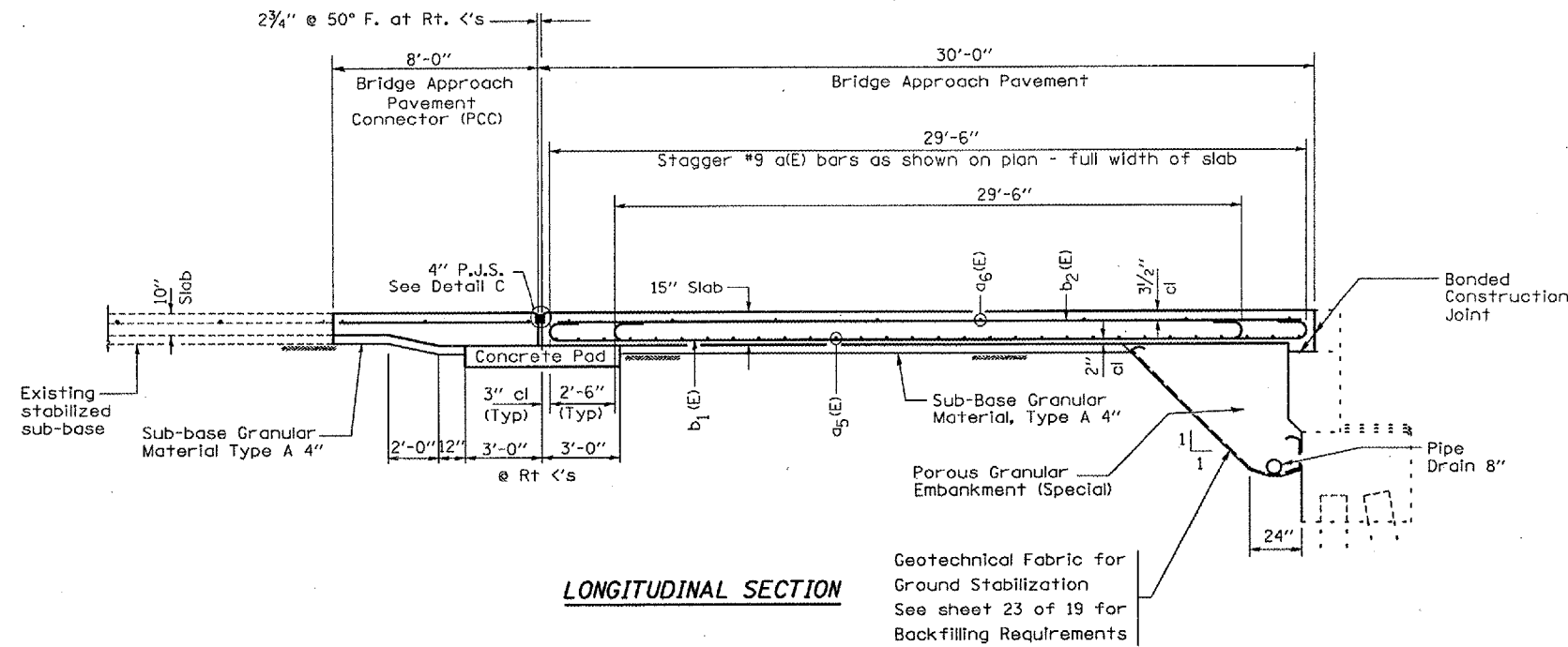


F.A.I. RTE.	SECTION	COUNTY	TOTAL SHEETS	SHEET NO.
412	(50-8VB)I	LASALLE	31	20
FED. ROAD DIST. NO. - ILLINOIS				



LOOKING NORTH ON NORTHBOUND STRUCTURE
LOOKING SOUTH ON SOUTHBOUND STRUCTURE
See Plan for Dimensions not shown
All reinforcement bars shall be Epoxy Coated

REVISIONS	
NAME	DATE

ILLINOIS DEPARTMENT OF TRANSPORTATION
BRIDGE APPROACH PAVEMENT DETAILS
F.A.I. 412 OVER BNSF RAILROAD
SECTION (50-8VB)I
LASALLE COUNTY
STA. 758 + 10
DATE 06/01/2005 DRAWN BY RLW

JULY 1, 2005 C:\PROJECTS\CM1\ING6\CM318\DETAILS.DGN