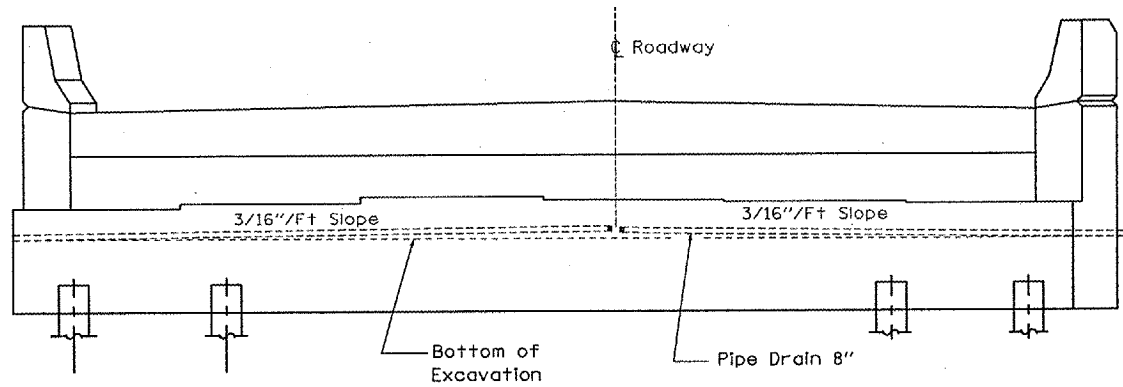
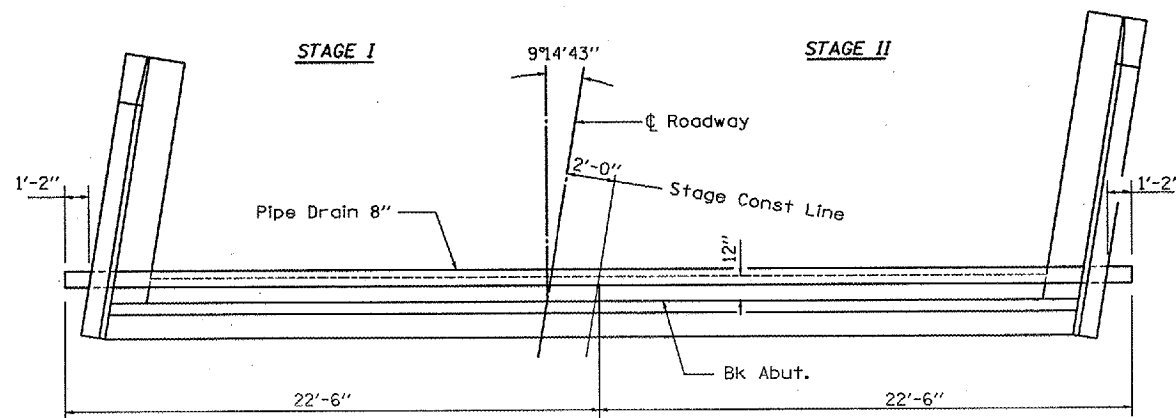


F.A.I. RTE.	SECTION	COUNTY	TOTAL SHEETS	SHEET NO.
412	(50-8VB)I	LASALLE	31	23
FED. ROAD DIST. NO. - ILLINOIS				



ELEVATION

NOTE: The 8" pipe drain at the \odot Roadway shall be capped or sealed with approved materials as directed by the Engineer



PLAN
NORTHBOUND LANE-NORTH ABUTMENT SHOWN

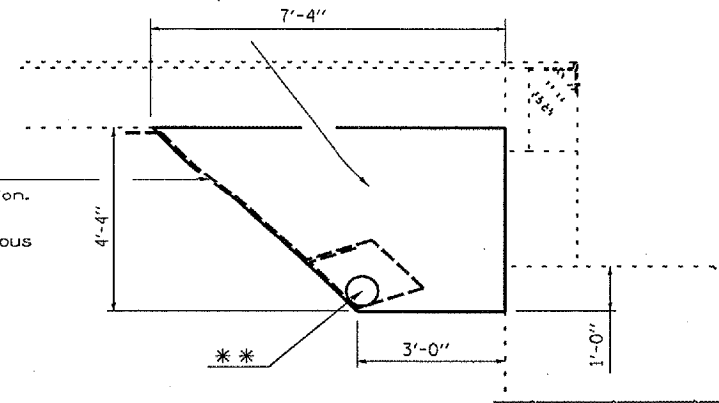
BILL OF MATERIALS

Item	Unit	Total
PIPE DRAINS 8"	FEET	45

Pipe Drain table is shown for "ONE" Abutment only

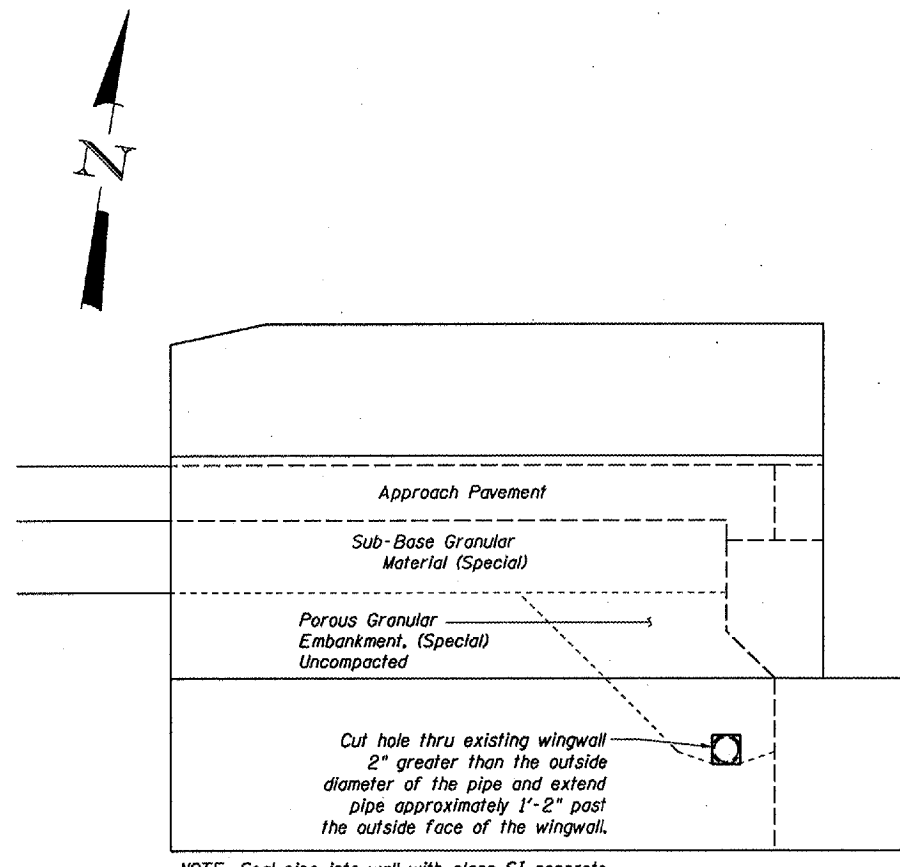
Backfill with uncompacted porous granular embankment meeting the requirements of the Special Provision for "Porous Granular Embankment, Special provided elsewhere in the plans. Limits shall be as shown on plan details.

Geotechnical fabric for ground stabilization. Cost shall be included with the cost of Porous Granular Embankment (Special).



SECTION

** A 8" \emptyset perforated pipe shall be situated at the bottom of an approximate 2'x2' area of porous granular embankment. The 2'x2' area shall be wrapped completely in geotechnical fabric for ground stabilization. Extend pipe parallel with the abutment until intersecting with the wing walls.



NOTE: Seal pipe into wall with class SI concrete
Cost Included with Pipe Underdrain

ELEVATION

REVISIONS	
NAME	DATE

ILLINOIS DEPARTMENT OF TRANSPORTATION
PIPE DRAIN DETAILS
F.A.I. 412 OVER BNSF RAILROAD
SECTION (50-8VB)I
LASALLE COUNTY
STA. 758+10

DATE 06/01/2005

DRAWN BY RLW

JULY 1, 2005
C:\PROJECTS\DMA\106\CM318\DETAILS.DGN